

## MKF-JS88

Mate Industrial Joystick, Hall / Potentiometer, Single/Dual Axis, Panel Mounted

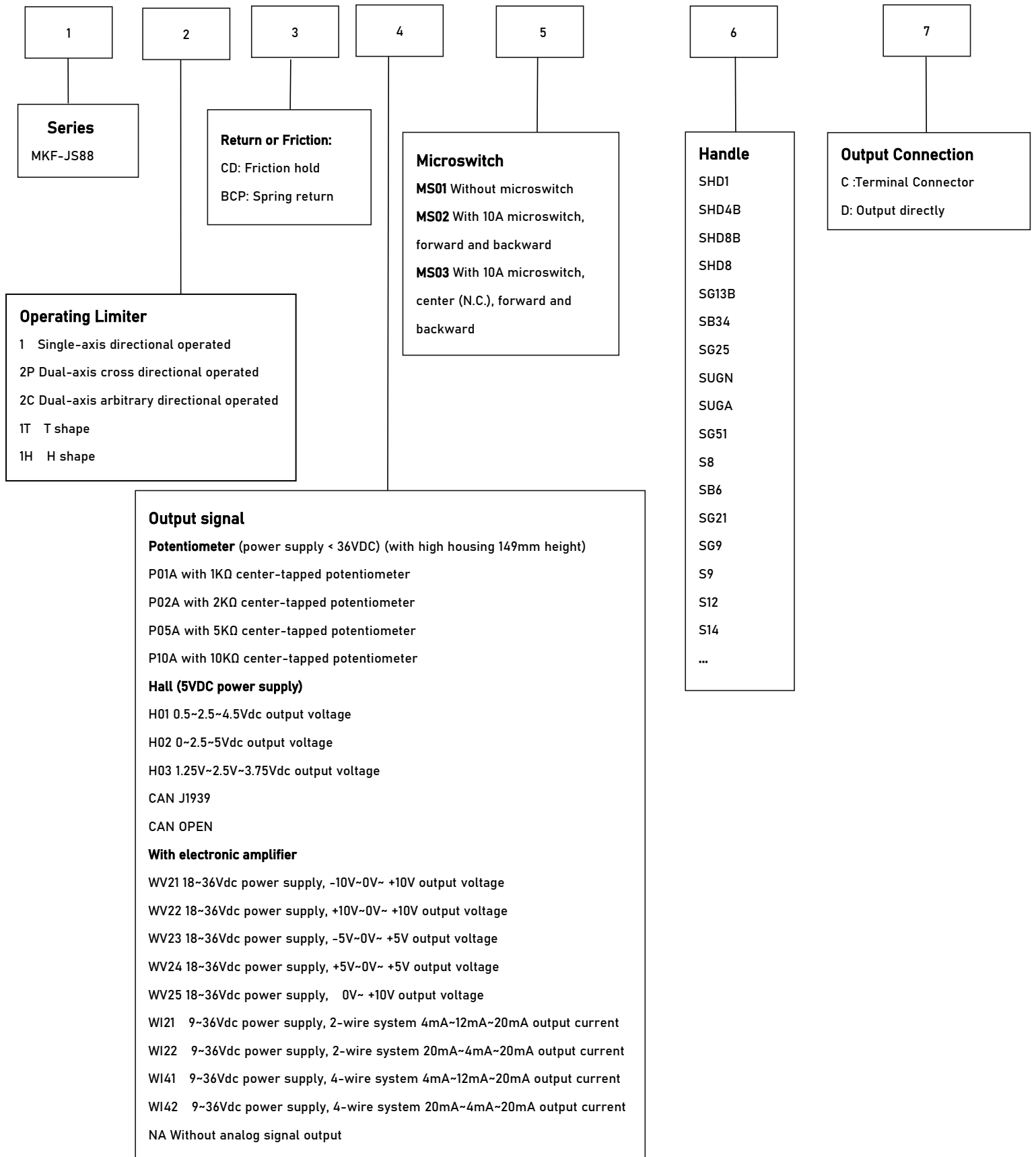


### APPLICATION

Typical apply on rotary drilling rigs, aerial fire trucks, cranes shield machine and other electrical and electro-hydraulic control system.

### DESCRIPTION

- Spring return or friction hold, single-axis or dual-axis operated
- Cross direction or arbitrary direction operated optional
- Potentiometer or hall effect angle detection, long life
- Large current microswitch optional (10A@30Vdc)
- Various output optional
- Various handle optional



## ELECTRICAL DATA

<b>Potentiometer</b>	
Power Supply Resistance	<36Vdc
Resistance	1K $\Omega$ ,2K $\Omega$ ,5K $\Omega$ , 10K $\Omega$
Center Angle	$\pm 3^\circ$
Maximum Dissipation	0.2W
<b>Hall</b>	
Power Supply	5 $\pm$ 0.5Vdc
Supply Current	<11mA (Single axis), <22mA (Dual-axis)
Maximum Allowable Overload Voltage	20Vdc
Reverse Maximum Allowance Voltage	-10Vdc
Output Linearity Tolerance	< $\pm$ 0.2V
<b>With electronic amplifier</b>	
Supply Voltage	18~36Vdc
Current Consumption	<20mA
Maximum Output Current	10mA with standard voltage output
<b>2-wire system current</b>	
Power Supply	9~36Vdc
<b>4-wire system current</b>	
Power Supply	9~36Vdc
Breakout Angle	$\pm 5^\circ$
<b>Microswitch</b>	
Load Capacity	1 0A@30Vdc (Resistance load)
Expecting Life	>30 million cycles (Mechanical) >200 thousand cycles (Electrical)
Insulation Resistance	>100M $\Omega$ 500Vdc Insulating-resistance meter
Breakout Angle	$\pm 3^\circ \sim \pm 5^\circ$

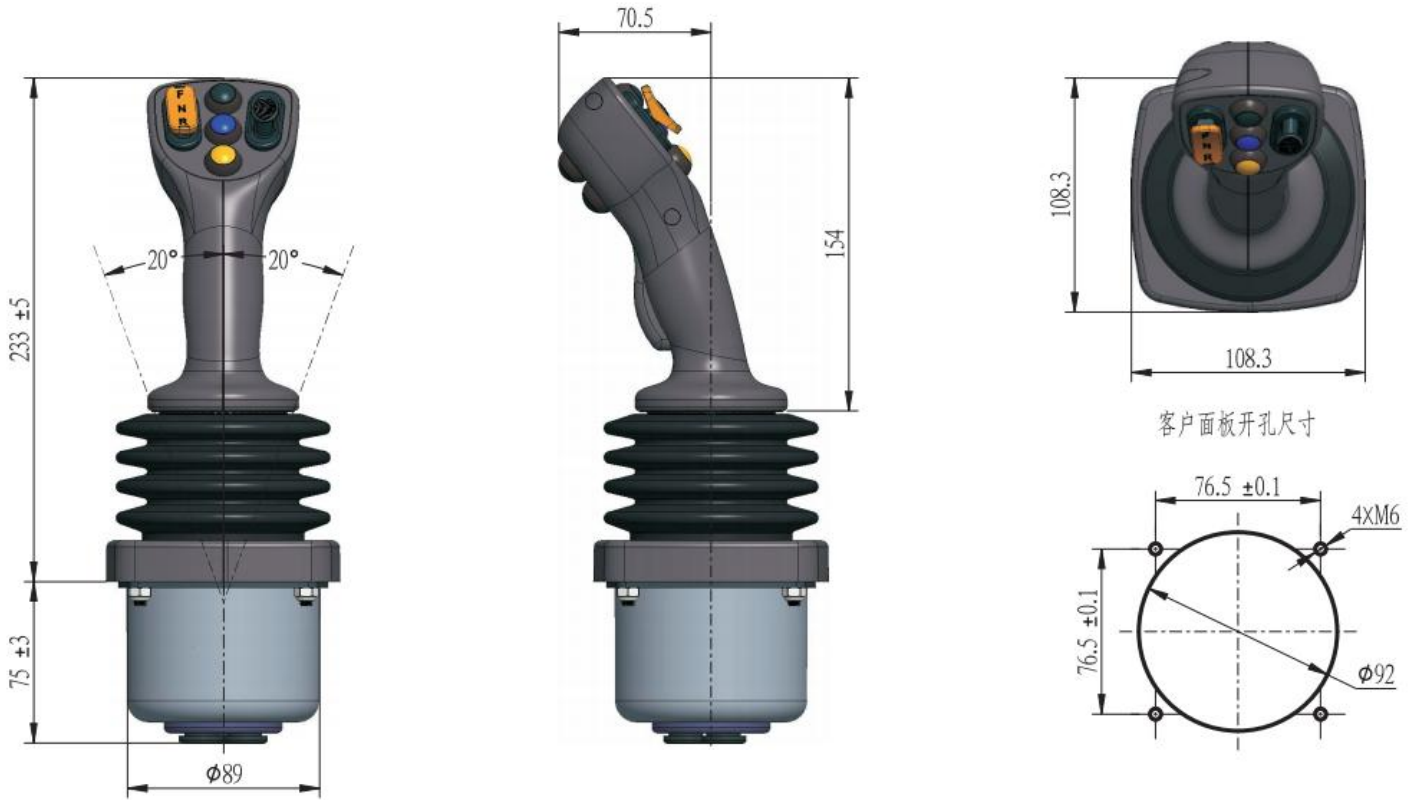
## Environmental Data

Operating Temperature	-30 $^\circ$ C ~+70 $^\circ$ C
Storage Temperature	-40 $^\circ$ C ~+85 $^\circ$ C
Protection Level	IP65 (Above the Panel)

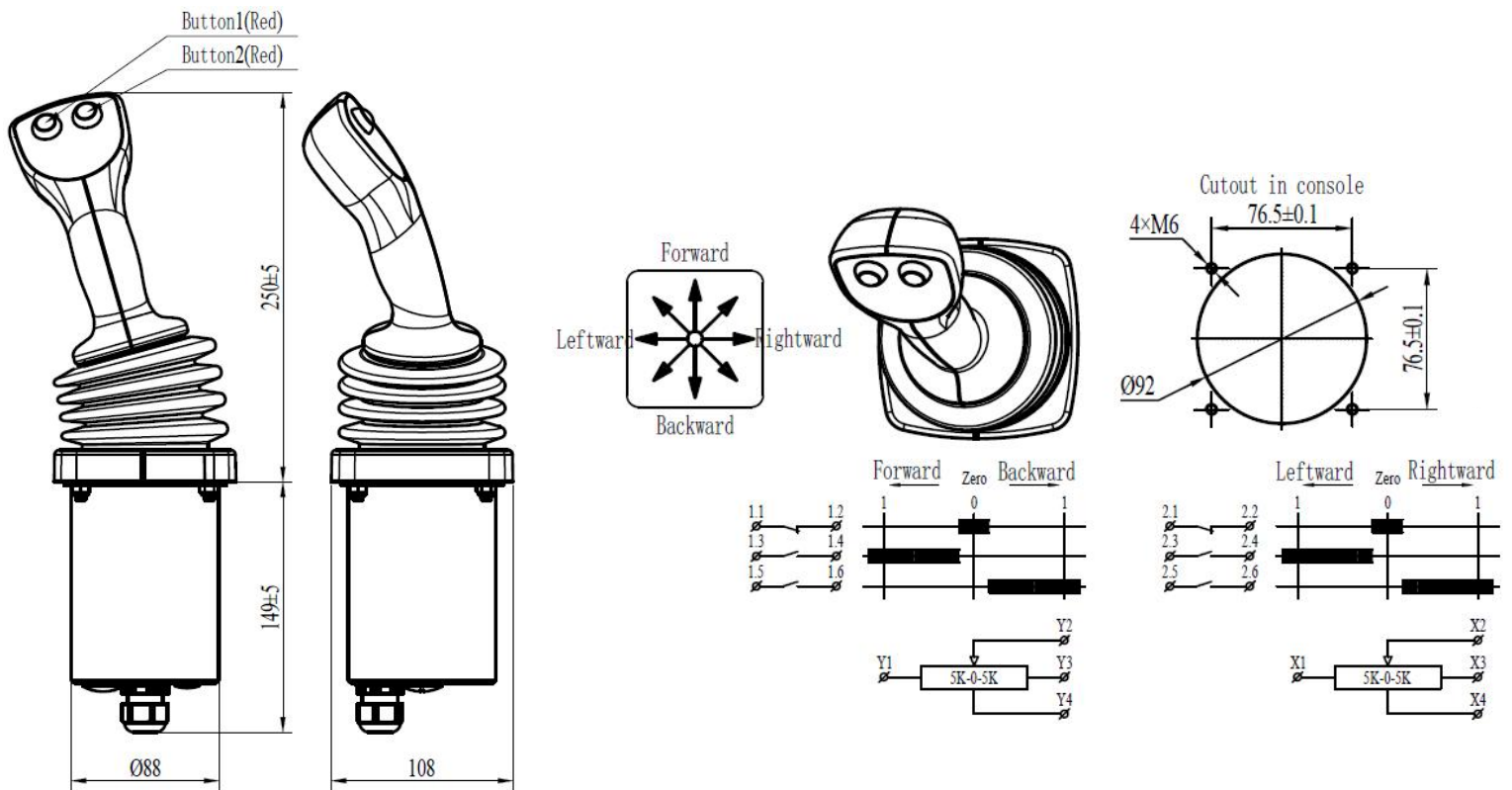
## Mechanical Features

Travel Angle	$\pm 20^\circ$
Operating Type	Spring return / Friction hold
Breakout Force	15N
Operating Force(max)	30N
Maximum Allowable Force	>300N
Expecting Life	>2 million cycles(potentiometer), >5million cycles (hall)
Weight	460g (without handle )

### TECHNICAL DRAWINGS



### TECHNICAL DRAWINGS (HIGH HOUSING FOR POTENTIOMETER)



## HANDLE OPTIONAL

