



深圳市米拓实业有限公司

MATE TECHNOLOGY SHENZHEN LIMITED





Mate Technology Shenzhen Limited dedicate to serving clients with our rich experience and profession of know-how, strong control of quality, and innovation on our products. Clients' satisfaction is our main goal. We provide flexible, cost-effective solutions for demanding applications through rapid services. We will work closely with our clients from 0 to 1 and listen to all their thoughts throughout the whole case from concept to production. What we provide is not only products but also technics and services. We display details of how we work to back up what we are advocating with solid and hard proof, and never compromise with profession and credibility. Whatever your requirements, we will make sure everything is in sight with the highest level of accuracy. **Made by professional, made by Mate Technology.**

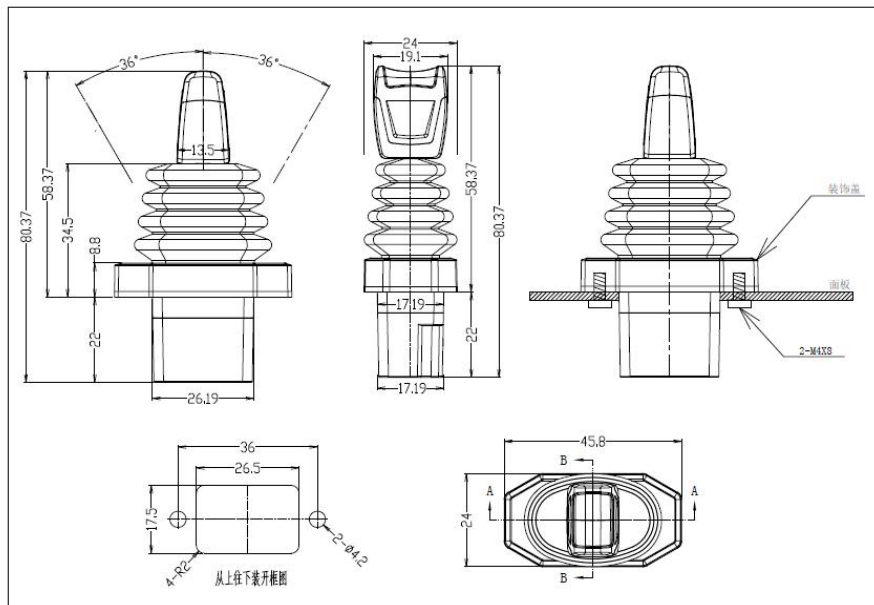
Thumb Size Joystick	1 - 18
Finger Size Joystick	19 - 41
Hand Size Joystick.....	42 - 76
Naval Controller and Joystick	77 - 88
Desktop Joystick	89 - 94
Wireless Remote Controller.....	95
Electric armrest box.....	96
Crane Driver's Seat.....	97-100
On deck controller	101 - 102
Accessories and Buttons.....	103 - 117
PTZ Controller Joystick Keyboard	118 - 123

MKF-TS02 Single axis joystick



A variety of handle colors and printing available, 1 axis, Hall sensor, full temperature range linear compensation, multi-point linearity correction, non-contact of moving parts and sensors, long life.

- Positioning method: spring automatically returns to the neutral position
- Operation angle: ± 36 degrees (72 degrees)
- Power supply: DC3.3V or DC5V
- Power consumption: ultra-low power consumption, minimum working current 8mA, minimum working voltage 3.01V
- Signal output: analog voltage, a variety of specifications are optional
- Life span: more than 5 million times
- Temperature range: $-40^{\circ}\text{C} \sim +85^{\circ}\text{C}$
- Protection level: IP67 protection

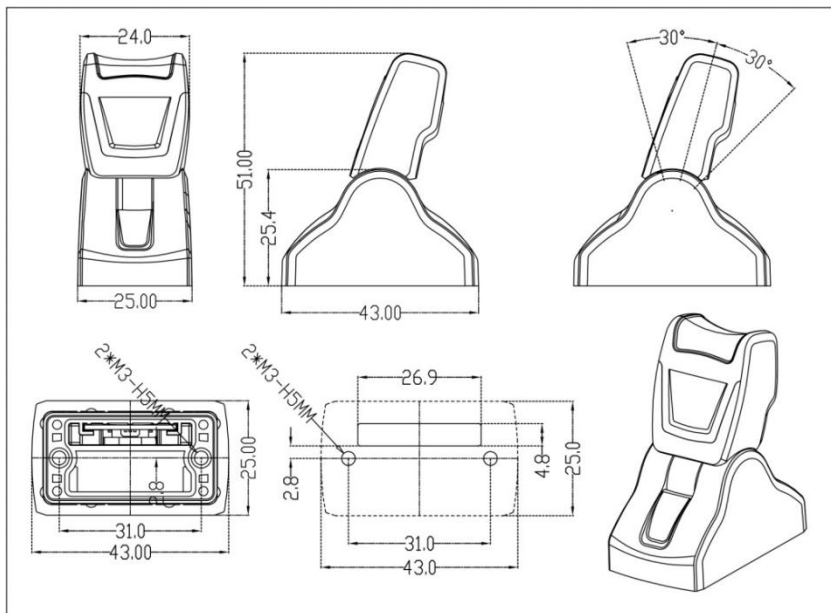


MKF-TS03 Single axis joystick (thumb stick)



MKF-TS03 series single-axis joystick. Adopt German imported Hall sensor, full temperature range linear compensation, multi-point linearity correction, moving parts and sensor non-contact, long life.

- 1 axis, Hall sensor
- Positioning method: center automatic return, center automatic return + one-way edge lock, one-way automatic return,
- 2 gears + 2 terminal reset, 3 gears + 2 terminal reset, 11 gears
- Operation angle: ± 30 degrees (60 degrees)
- Power supply: DC5V (12MA)
- Signal output: analog voltage 0.5~4.5V; Redundant output optional
- Operating temperature: $-40^{\circ}\text{C}\sim+70^{\circ}\text{C}$ IP54 protection

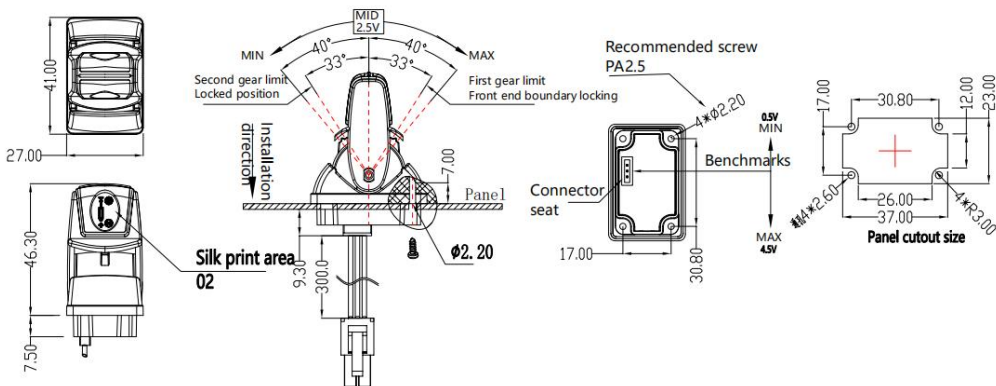


MKF-TS18 Single axis joystick (thumb stick)



MKF-TS18 series single-axis joystick. Adopt German imported Hall sensor, full temperature range linear compensation, multi-point linearity correction, moving parts and sensor non-contact, long life.

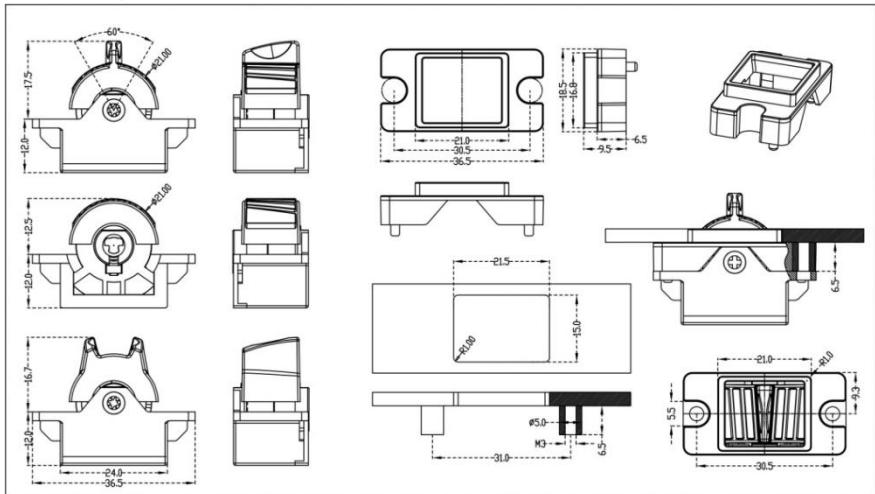
- 1 axis, Hall sensor
- Positioning method: center automatic return, center automatic return + two-way edge lock.
- Operation angle: ± 40 degrees (80 degrees)
- Power supply: DC5V (12MA)
- Signal output: analog voltage 0.5~4.5V;
- Operating temperature: $-40^{\circ}\text{C} \sim +70^{\circ}\text{C}$ IP65 protection



MKF-TS04 Single axis thumb joystick



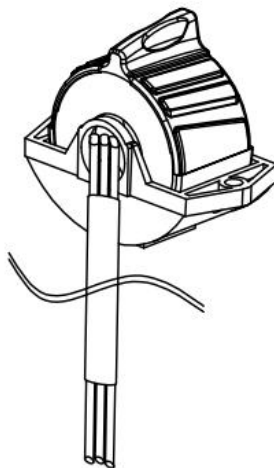
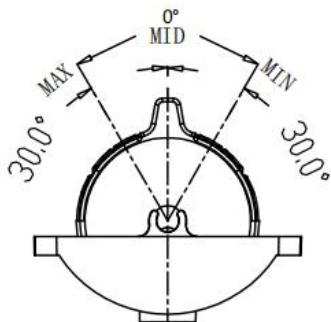
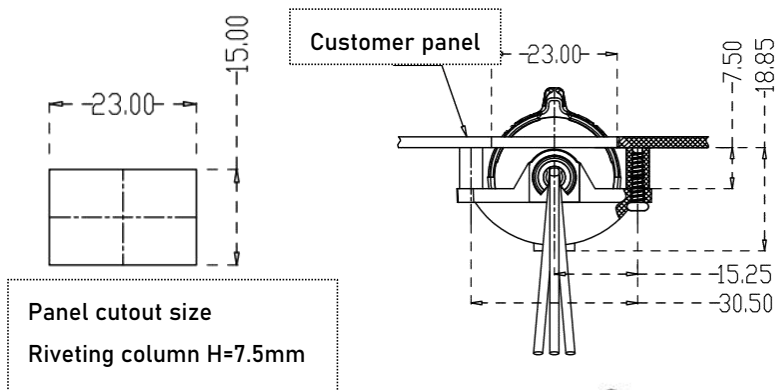
- 1 axis, Hall sensor; Life span: more than 5 million times;
- Positioning method: center automatic return, center automatic return + one-way edge lock
- 2 gears + 2 terminal reset, 3 gears + 2 terminal reset, 11 gears (optional)
- Operation angle: ± 35 degrees Signal output: 0.5-4.5V
- Power supply: DC5V/12MA Operating temperature: $-40^{\circ}\text{C} \sim +70^{\circ}\text{C}$



MKF-TS04-V2 Single axis thumb joystick



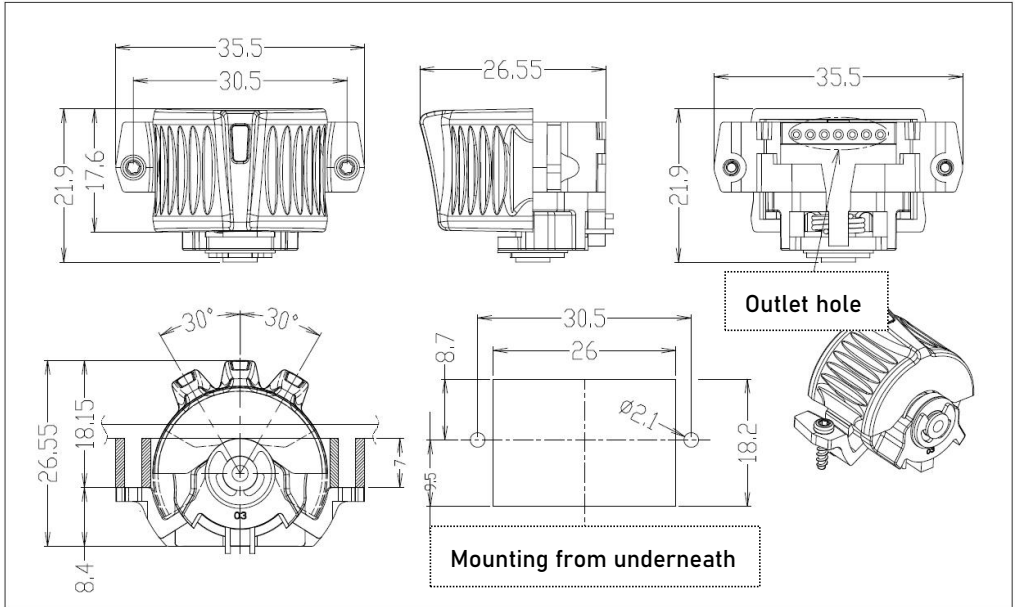
- 1 axis, Hall sensor
- Positioning method: the spring automatically returns to the neutral position and friction brake
- Operation angle: ± 30 degrees
- Signal output: 0.5-4.5V;
- Power supply: DC5V/12MA
- Life span: more than 5 million times;
- Operating temperature: $-40^{\circ}\text{C} \sim +70^{\circ}\text{C}$



MKF-TS01 Single axis thumb joystick



- 1 axis, Hall sensor
- Indicating light: three-color LED light (white/red/green)
- Positioning method: the spring automatically returns to the neutral position
- Operation angle: ± 30 degrees
- Signal output: 0.5-4.5V; Redundant output optional
- Power supply: DC5V/12MA
- Life span: more than 5 million times;
- Operating temperature: $-40^{\circ}\text{C} \sim +70^{\circ}\text{C}$



MKF-TS08 Single axis thumb joystick

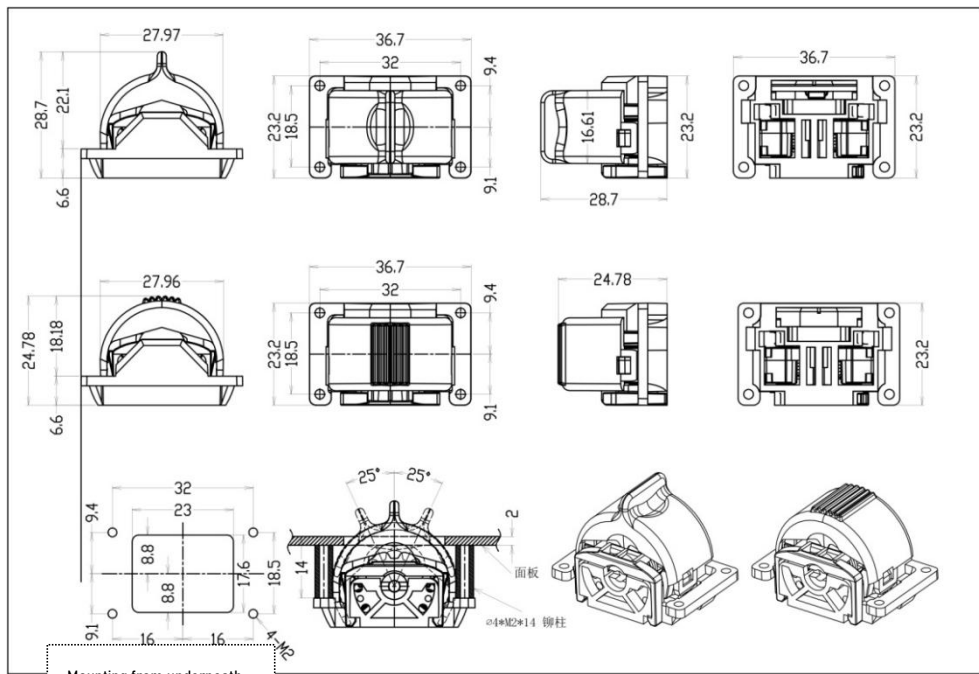


Handle A



Handle B

- 1 axis, Hall sensor
- Positioning method: the spring automatically returns to the neutral position
- Operation angle: ± 25 degrees
- Signal output: 0.5-4.5V@DC5V
- Power supply: DC5V/12MA
- Life span: more than 5 million times
- Operating temperature: $-40^{\circ}\text{C} \sim +70^{\circ}\text{C}$



MKF-TS06 Single axis thumb joystick

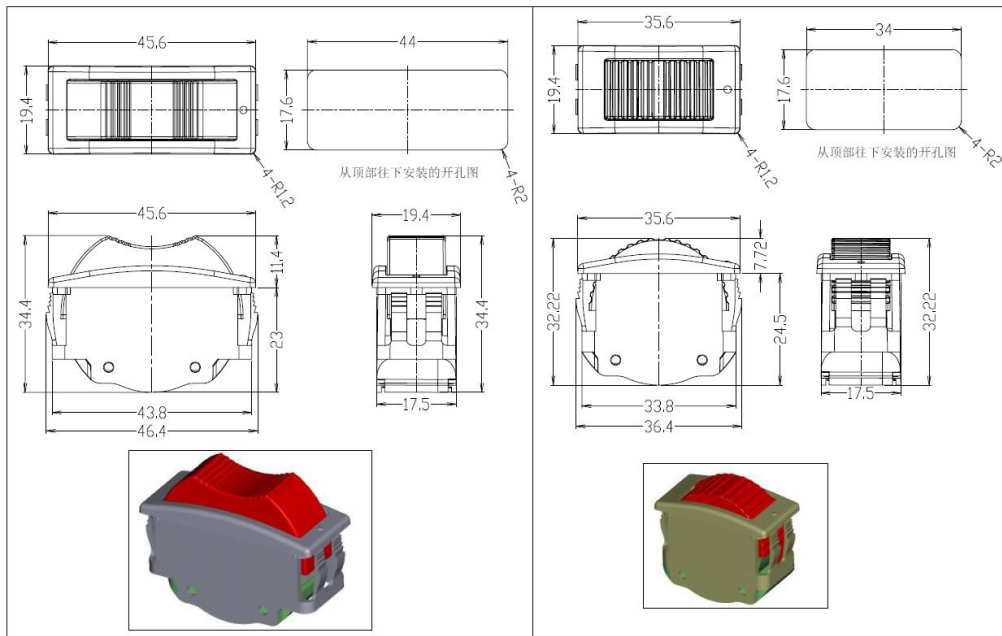


Handle A



Handle B

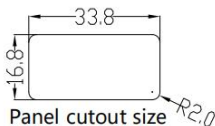
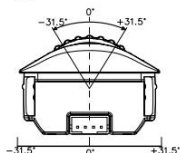
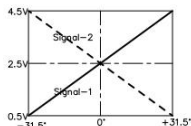
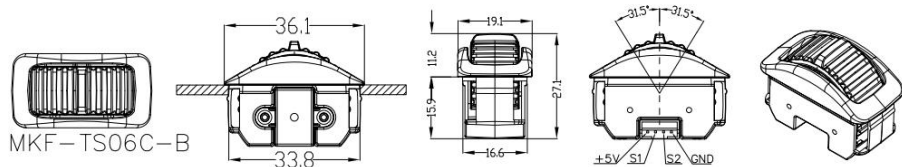
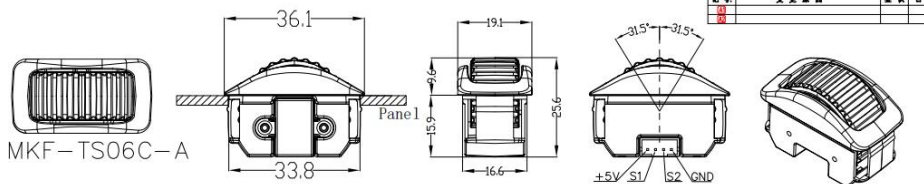
- 1 axis, Hall sensor
- Positioning method: the spring automatically returns to the neutral position
- Operation angle: ± 30 degrees
- Signal output: 0.5-4.5V
- Power supply: DC5V/12MA
- Life span: more than 5 million times
- Operating temperature: $-40^{\circ}\text{C} \sim +70^{\circ}\text{C}$



MKF-TS06-C Single axis thumb joystick



- 1 axis,dual Hall sensor
- Positioning method: the spring automatically returns to the neutral position
- Operation angle: ± 31.5 degrees
- Signal output: 0.5-4.5V
- Power supply: DC5V/12MA
- Life span: more than 5 million times
- Operating temperature: $-40^{\circ}\text{C}\sim+70^{\circ}\text{C}$



Hall sensor: Dual hall sensor
Wok Temp.: $-40^{\circ}\text{C}\sim+85^{\circ}\text{C}$
Life span: 3 million Cycles
Power supply: DC5V \pm 0.5V
Max current: 10mA
Max Load: 5mA/1k resistance

Model No.: MKF-TS06C-A
MKF-TS06C-B

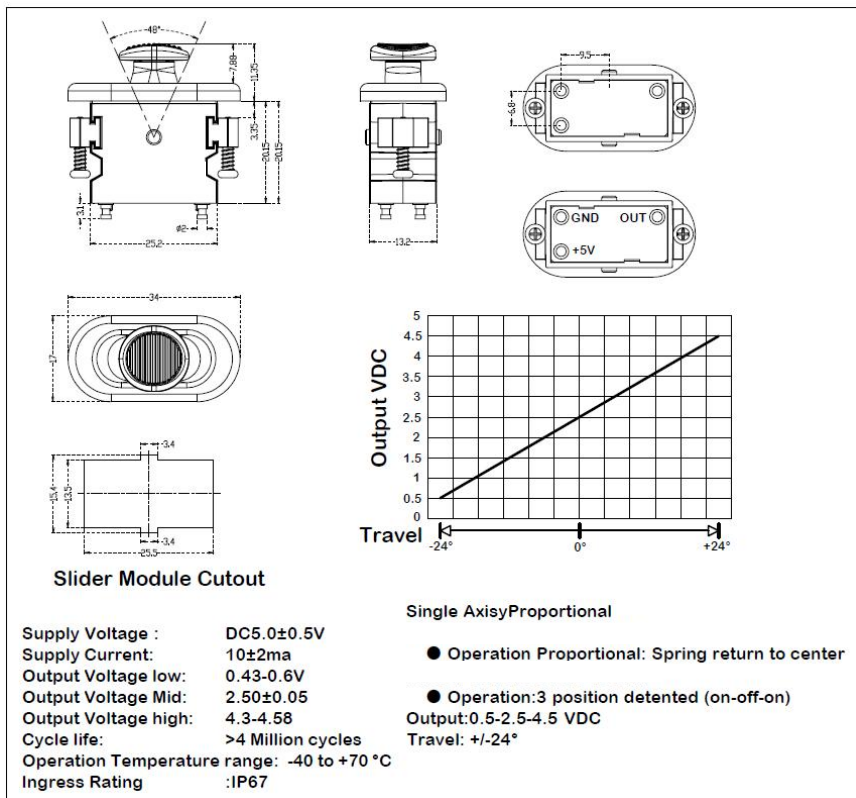
- Connector 2.0-4P
1. Red/+5V
 2. Yellow/Signal1
 3. Green/Signal2
 4. Black/GND

Mate Technology Shenzhen Limited					
www.matend.com					
Draw:	1	2	Scale:	1:1	View:
Design:	1	2	Stage:		Unit:
Auth:	1	2			mm

MKF-TS07 Waterproof single-axis joystick (finger wheel)



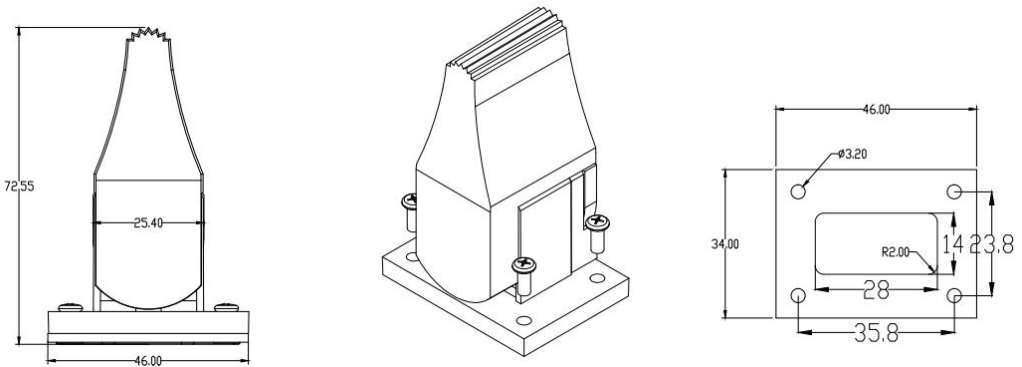
- 1 axis, Hall sensor operating angle: $\pm 24^\circ$
- Power supply: DC5V/12MA Signal output: 0.5-4.5V
- Life span: more than 5 million times Operating temperature: $-40^\circ\text{C} \sim +70^\circ\text{C}$
- Positioning method: the spring automatically returns to the neutral position or the 3rd gear keeps positioning



MKF-TS09 Single axis Hall/Potentiometer thumb joystick



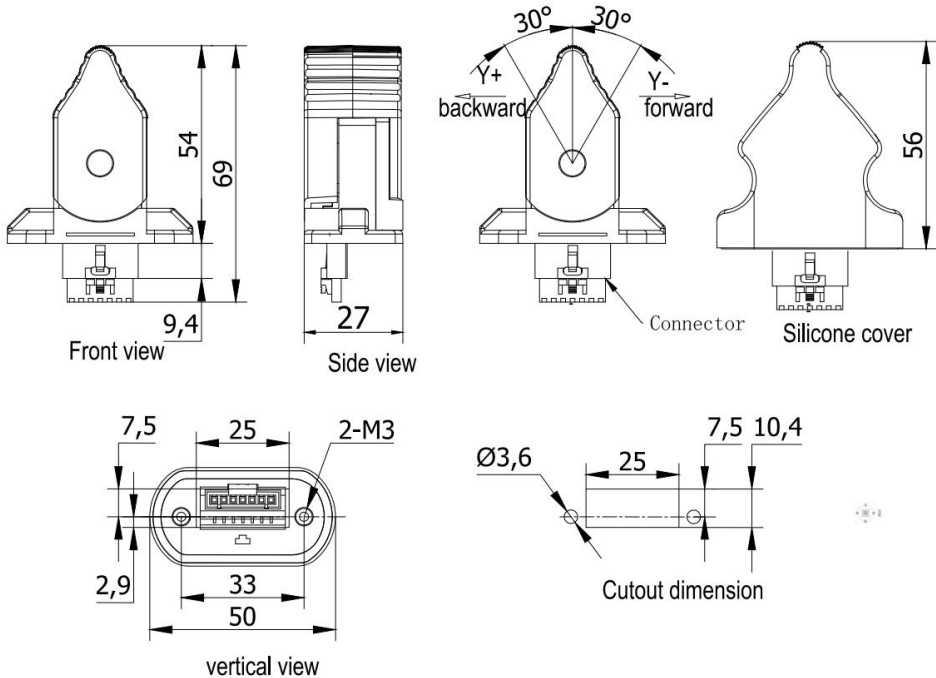
MKF-TS09 is a professional Single-axis finger operated joystick, forward and backward directional operated . Small and easy to install, Spring return to center automatically, Suitable for remote control unit, off-highway vehicle and industrial panel control.



MKF-TS12 Single axis Potentiometer thumb joystick



MKF-TS12 is a professional Single-axis finger operated joystick, typical application on remote control unit, off-highway vehicle and industrial panel control.

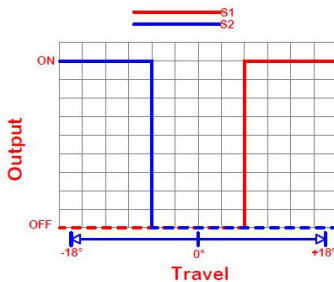


MKF-TS05 Waterproof three-position switch



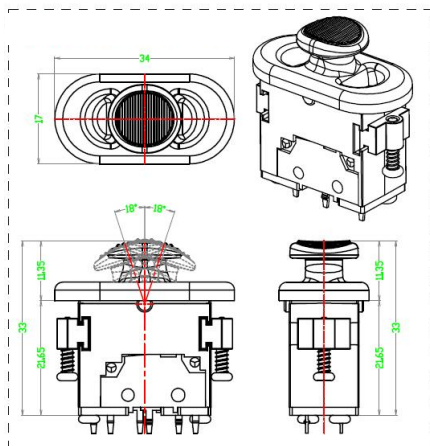
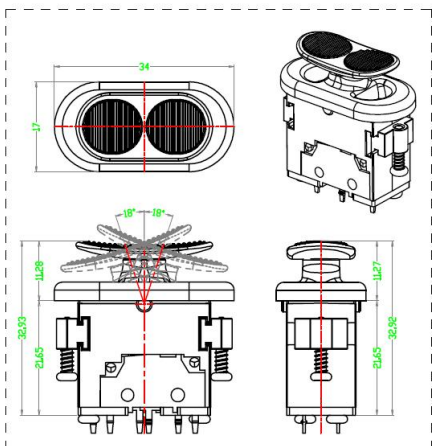
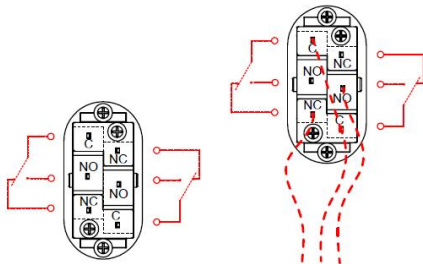
Slider Module Cutout

Voltage : 30Vdc
Supply Current: 2A
Cycle life: >1 Million cycles
Operation Temperature range: -40 to +85°C
Ingress Rating :IP67



-RC: Return to middle

-Mo: 3 position lock

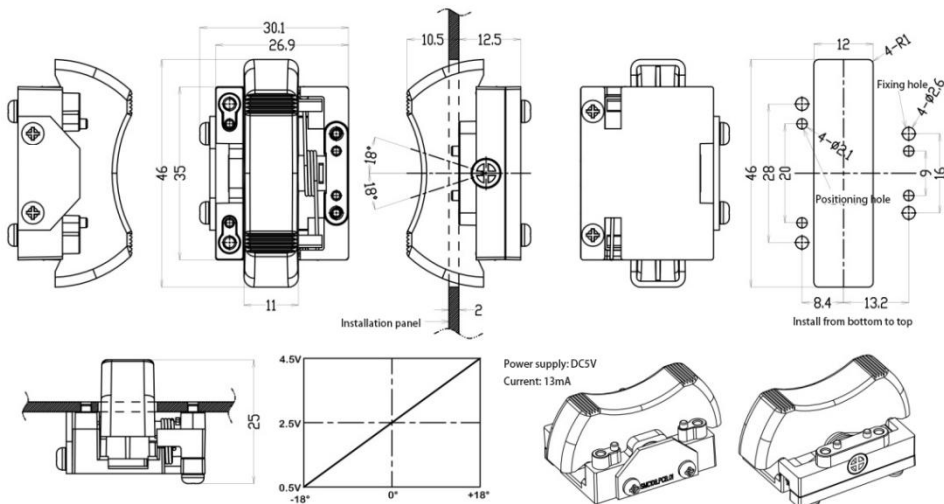


MKF-TS19 Camera zoom wheel



MKF-TS19 is designed specifically for zoom control of cameras, used for professional level camera head control. Adopting Hall sensors with high accuracy and long lifespan, adopting advanced structural design and imported damping materials, it has a good control feel.

- Operating angle: $\pm 18^\circ$
- Power supply: DC5V
- Power consumption: 12MA
- Signal output: Analog voltage 0.5-2.5V-4.5V
- Life: more than 5 million times;
- Operating temperature: $-40^\circ\text{C} \sim +70^\circ\text{C}$
- Protection: IP54

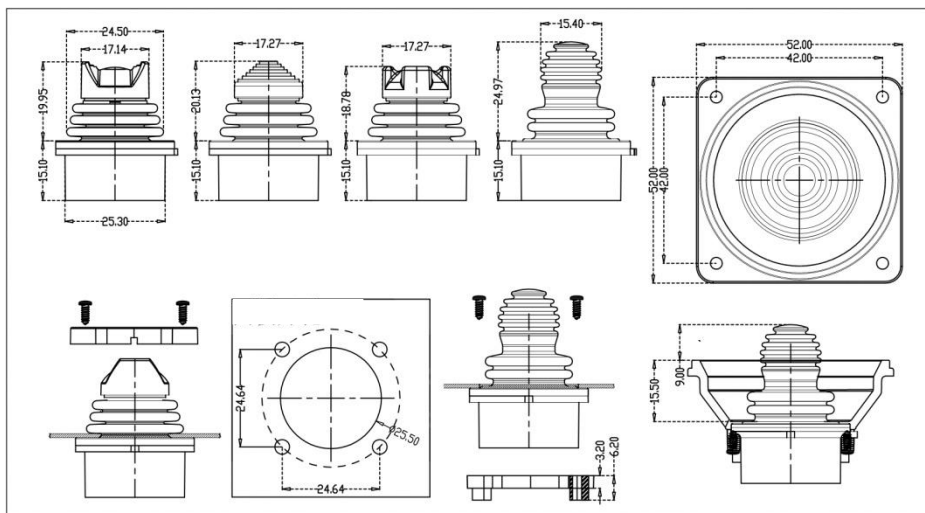


MKF-JS09 2-axis joystick



Optional sink bezel

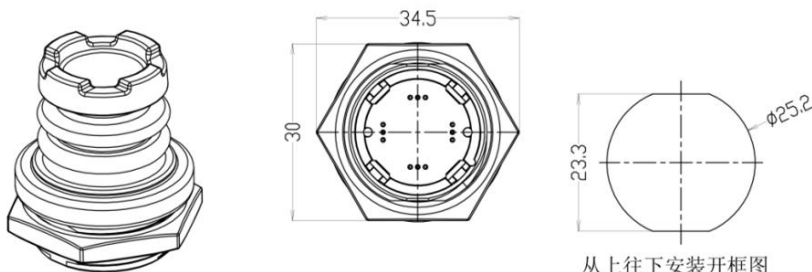
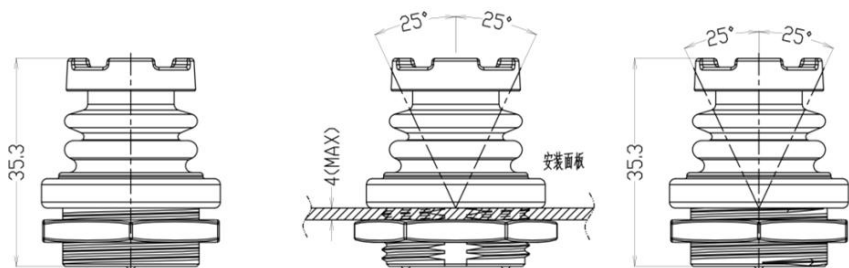
- 1-axis or 2-axis, Hall sensor, 4 types of handles
- Operation mode: Round limiter (360 degree range)
Straight limiter (only front and back, no left and right)
- Returning method: spring automatic return
- Operation angle: XY axis $\pm 25^\circ$ diagonal $\pm 31^\circ$
- Power supply: DC5V
- Signal output: 0-5V (or 0.5-4.5V), USB2.0
- Life span: 5 million times
- Material: synthetic engineering plastic handle
- Replacement accuracy: less than 2%
- Operating temperature: $-40^\circ\text{C} \sim +70^\circ\text{C}$
- Storage temperature: $-50^\circ\text{C} \sim +80^\circ\text{C}$
- Protection level: above panel IP67



MKF-JS09-V2 2-axis joystick



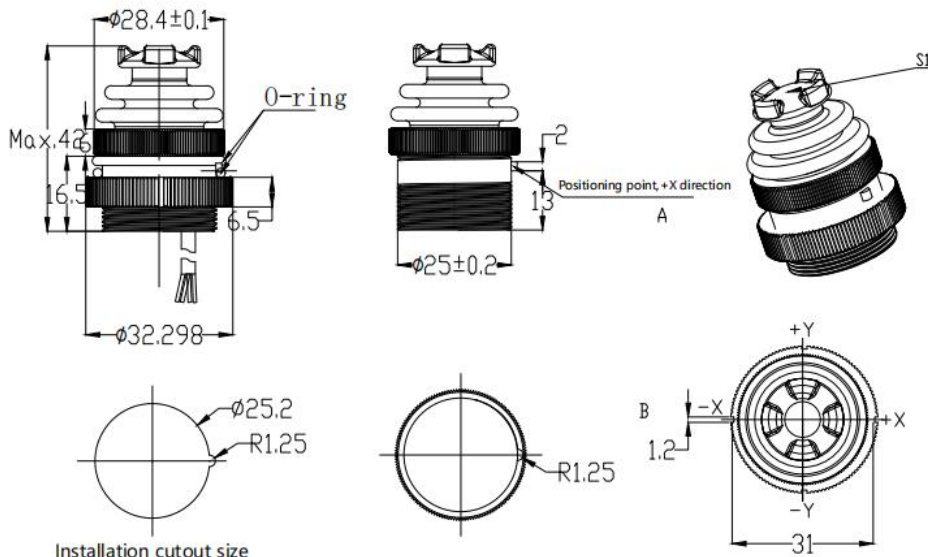
- 1 or 2-axis, hall sensor
- Operating range: square / straight / cross
- Return method: spring automatic return
- Operating angle: XY axis $\pm 25^\circ$
- Power supply: DC5V (4.5-5.5V)
- Signal output: 0.5-2.5-4.5V
- Lifespan: 5 million times
- Material: synthetic engineering plastic handle
- Repeated return accuracy: less than 5%.
- Operating temperature: $-40^\circ\text{C} \sim +70^\circ\text{C}$
- Storage temperature: $-50^\circ\text{C} \sim +80^\circ\text{C}$
- Protection level: above panel IP67



MKF-JS09-V3 2-axis joystick with one push button



- 1-axis or 2-axis, Hall sensor, with one push button
- Operation mode: Round limiter (360 degree range)
Straight limiter (front and back)
- Returning method: spring automatic return
- Operation angle: XY axis $\pm 18^\circ$
- Power supply: DC5V
- Signal output: 0-5V (or 0.5-4.5V), USB2.0
- Life span: 5 million times
- Material: synthetic engineering plastic handle
- Replacement accuracy: less than 2%
- Operating temperature: $-40^\circ\text{C} \sim +70^\circ\text{C}$
- Storage temperature: $-50^\circ\text{C} \sim +80^\circ\text{C}$
- Protection level: above panel IP67



MKF-TFS01

Mate Force Sensor Module



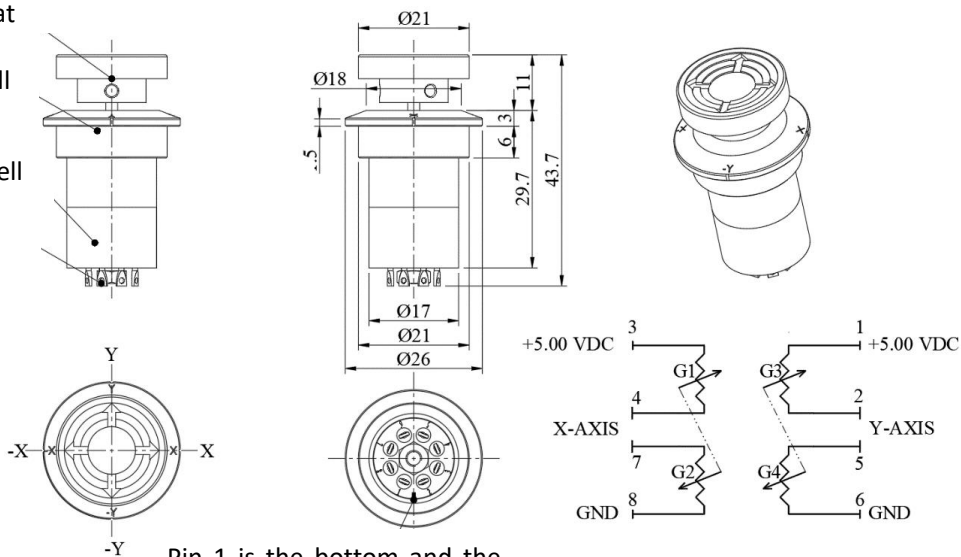
MKF-TFS01 force sensor, panel mounted embedded, the main material of the shell is aviation aluminum alloy, built-in high dynamic force sensing device, its resistance value change output is affected by external force. National military standard design, strong experimental, linear correction in the whole temperature range. It is suitable for weapon fire control systems, armored vehicles, aircraft, command and control, tracking control, remote control, visual display, high-end medical equipment, etc.

Push hat

Upper shell

Lower shell

Terminals



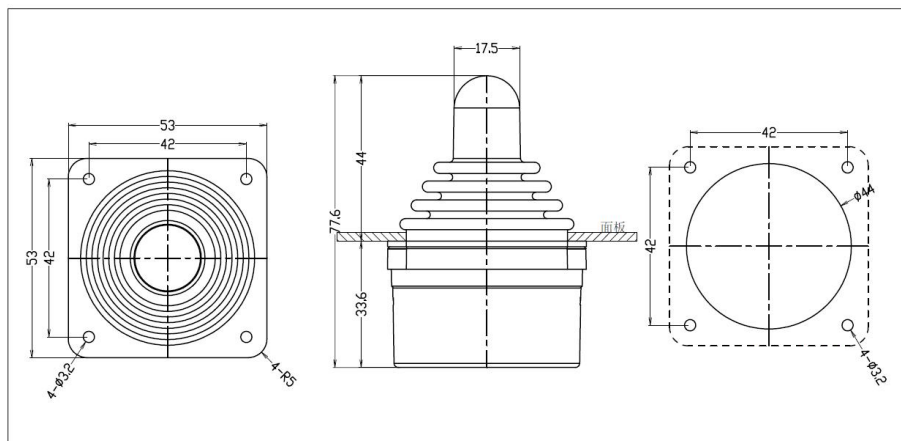
Pin 1 is the bottom and the left side is marked

MKF-JS24 Remote control Joystick



The rubber handle has an orthogonal guiding function and has a good control feel. It is specially designed for the field of industrial remote controllers. There are many configurations, which can replace other brand products.

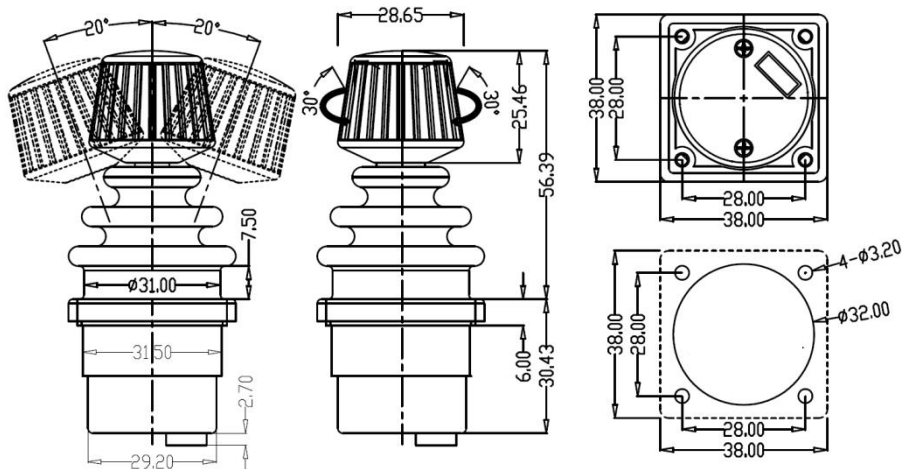
- 2-axis, Hall sensor
- Positioning method: The spring automatically returns to the neutral position
- Operating range: square limiter, with orthogonal cross guide
- Gear position feel: With gear shock feeling in the middle position, 4 gears each (optional)
- Operating angle: $\pm 25^\circ$
- Power supply: DC5V, minimum 4.1V, maximum 5.5V
- Signal output: analog voltage 0.5-2.5-4.5V@DC5V power supply
- Lifespan: more than 5 million times
- Return accuracy: less than 0.8%.
- Operating temperature: $-40^\circ\text{C} \sim +85^\circ\text{C}$
- Protection level: IP65 above the panel



MKF-JS19/H38 SERIES 3-axis Hall joystick



- Three-axis, Hall sensor
- Button: 1 button (reset)
- Operation angle: XY axis $\pm 20^\circ$, Z axis $\pm 30^\circ$
- Power supply: DC5V, 12-24V (optional)
- Signal output: analog voltage 0-5V, RS232, RS422, RS485, USB
- Life span: 5 million times; button 1 million times;
- Material: aviation aluminum alloy and ABS+PC material
- Replacement accuracy: less than 0.8%
- Operating temperature: $-40^\circ\text{C} \sim +70^\circ\text{C}$
- Protection level: IP65 above the panel

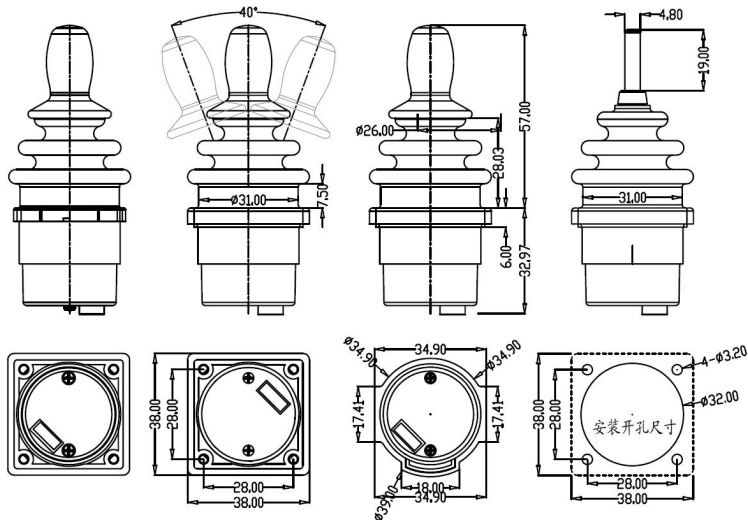


MKF-JS25/H38 SERIES 2-axis Hall joystick

Suitable for electric wheelchairs, machinery and equipment



- 2 axes, Hall sensor
- Operation angle: XY axis $\pm 20^\circ$ diagonal $\pm 28^\circ$
- Power supply: DC5V, 12-24V (optional)
- Signal output: 0-5V (or 0.5-4.5V), RS232, RS485, USB, CAN
- Life: 5 million times;
- Material: Aluminum alloy handle
- Replacement accuracy: less than 1%.
- Operating temperature: $-40^\circ\text{C} \sim +70^\circ\text{C}$
- Storage temperature: $-50^\circ\text{C} \sim +80^\circ\text{C}$
- Protection level: IP65 above the panel

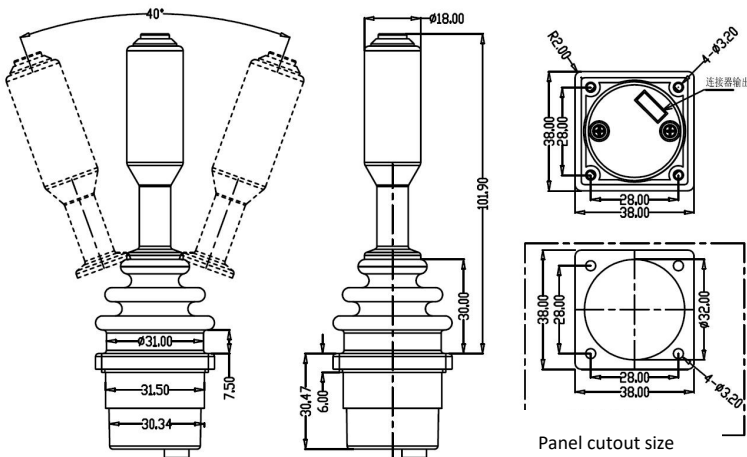


MKF-JS26/H38 SERIES 2-axis Hall joystick

Suitable for desktop systems and industrial equipment



- 2 axis, Hall sensor, 1 button (momentary button, reset)
- Operation angle: XY axis $\pm 20^\circ$ diagonal $\pm 28^\circ$
- Power supply: DC5V, 12-24V (optional)
- Signal output: 0-5V (or 0.5-4.5V), RS232, RS485, USB, CAN
- Life span: 5 million times; button 1 million times
- Material: Aluminum alloy handle
- Replacement accuracy: less than 0.8%
- Operating temperature: $-40^\circ\text{C} \sim +70^\circ\text{C}$
- Protection level: IP65 above the panel

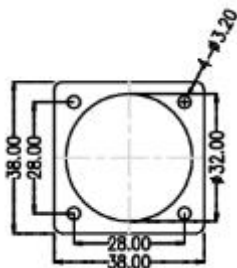


MKF-JS22 2/3-axis Hall joystick

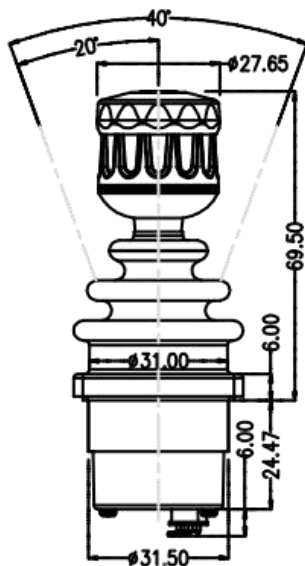
Suitable for desktop systems and industrial equipment



- 3 axis, Hall sensor, 1 button (momentary button, reset)
- Operation angle: XY axis $\pm 20^\circ$ diagonal $\pm 30^\circ$
- Power supply: DC5V, 12-24V (optional)
- Signal output: 0-5V (or 0.5-4.5V), RS232, RS485, USB, CAN
- Life span: 5 million times; button 1 million times
- Material: Aluminum alloy handle
- Replacement accuracy: less than 0.8%
- Operating temperature: $-40^\circ\text{C} \sim +70^\circ\text{C}$
- Protection level: IP65 above the panel



Panel cutout size

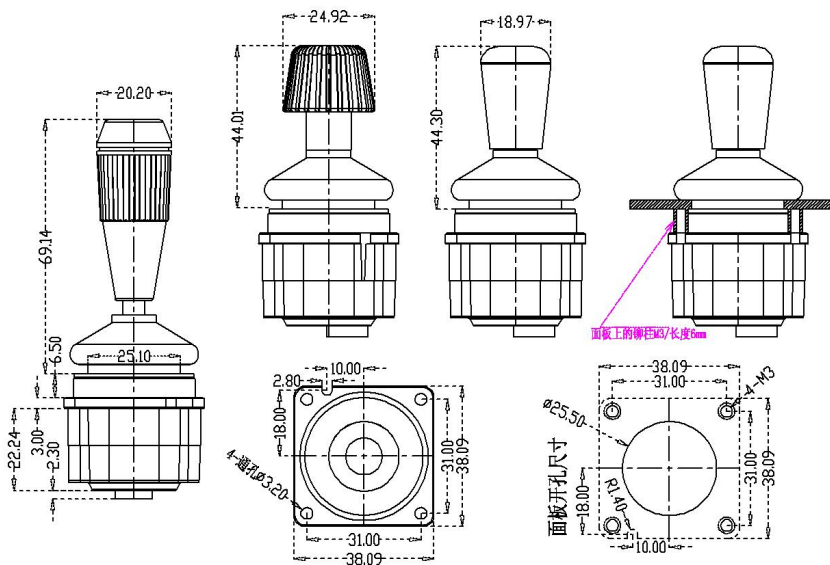


MKF-JS27/H81 SERIES 2-axis Hall joystick

Suitable for Robots, medical equipment, industrial equipment



- 2-axis Hall sensor
- Material: aluminum alloy shell, stainless steel shaft
- Operation angle: $\pm 20^\circ$
- Power supply: DC5V
- Signal output: 0-5V (0.5-4.5V)
- Digital interface (optional): RS232, CAN
- Life span: more than 5 million times
- Replacement accuracy: less than 0.1%
- Protection level: IP65 above the panel
- Operating temperature: $-40^\circ\text{C} \sim +70^\circ\text{C}$

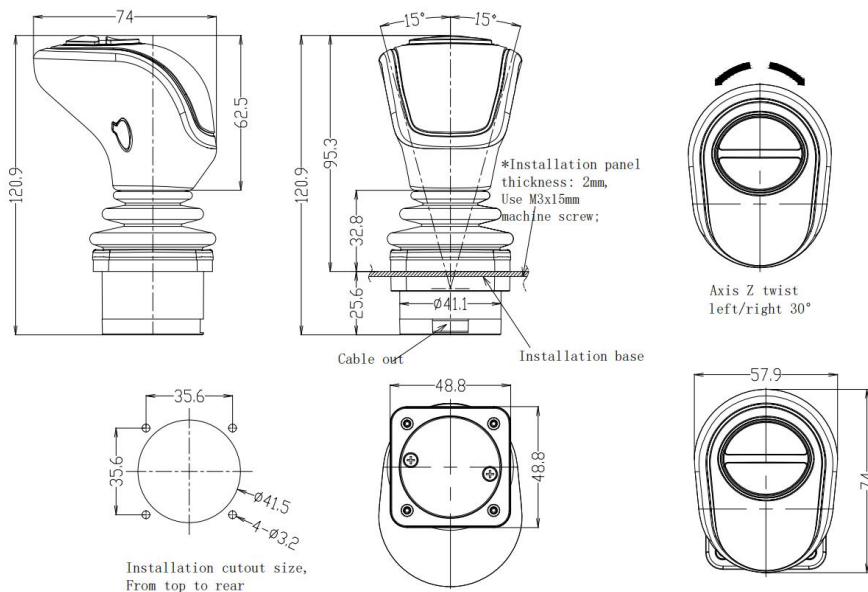


MKF-JS66 3-axis Hall joystick

Suitable for Robots, medical equipment, industrial equipment



- 3-axis Hall sensor
- Material: plastic shell, stainless steel shaft
- Operation angle: XY axis $\pm 15^\circ$, Z axis $\pm 30^\circ$
- Power supply: DC5V,12-24V (optional)
- Signal output: 0-5V (or 0.5-4.5V), RS232, RS485, USB, CAN
- Life span: more than 5 million times
- Replacement accuracy: less than 0.1%.
- Protection level: IP65 above the panel
- Operating temperature: $-40^\circ\text{C} \sim +70^\circ\text{C}$

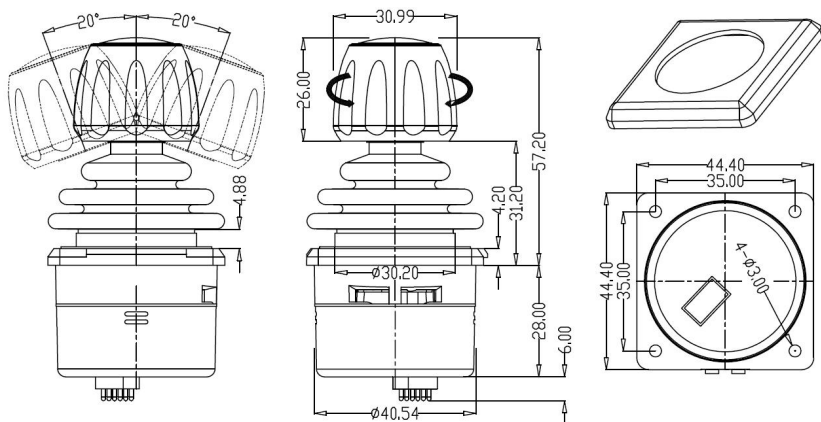


MKF-JS08/H44 SERIES 3-axis Hall Joystick

Suitable for industrial robots, medical equipment, optical instruments



- Three-axis, Hall sensor
- Operating range: round, straight, cross
- Button (optional): no button
- Operation angle: XY axis $\pm 20^\circ$, Z axis $\pm 18^\circ$
- Power supply: DC5V, 12-24V (optional)
- Signal output: 0-5V (0.5-4.5V), RS232, RS485, USB, CAN (2.0B)
- Life span: 5 million times
- Material: stainless steel shaft and synthetic plastic
- Replacement accuracy: less than 1%.
- Operating temperature: $-40^\circ\text{C} \sim +70^\circ\text{C}$
- Storage temperature: $-50^\circ\text{C} \sim +80^\circ\text{C}$
- Protection level: IP65 above the panel

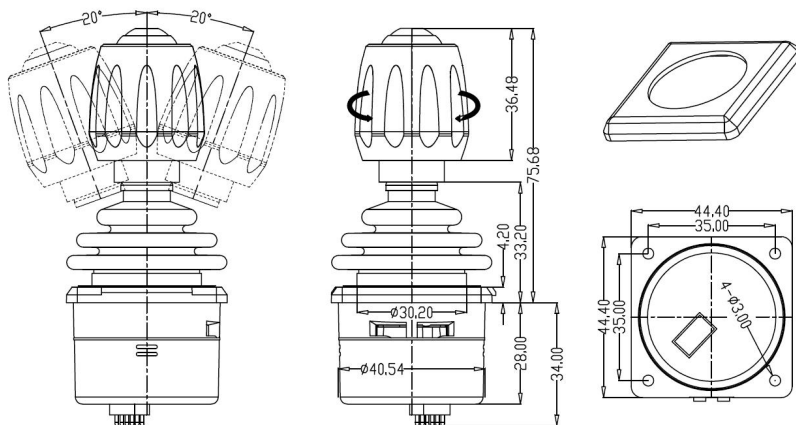


MKF-JS03/H44 SERIES 3-axis Hall Joystick

Suitable for industrial robots, medical equipment, optical instruments



- Three-axis, Hall sensor
- Operating range: round, straight, cross
- Button: 1 button
- Operation angle: XY axis $\pm 20^\circ$, Z axis $\pm 18^\circ$
- Power supply: DC5V, 12-24V (optional)
- Signal output: 0-5V (0.5-4.5), RS232, RS485, USB, CAN (2.0B)
- Life span: 5 million times
- Material: stainless steel shaft and synthetic plastic
- Replacement accuracy: less than 1%.
- Operating temperature: $-40^\circ\text{C} \sim +70^\circ\text{C}$
- Storage temperature: $-50^\circ\text{C} \sim +80^\circ\text{C}$
- Protection level: IP65 above the panel



MKF-JS20/H44 SERIES 3-axis retractable joystick

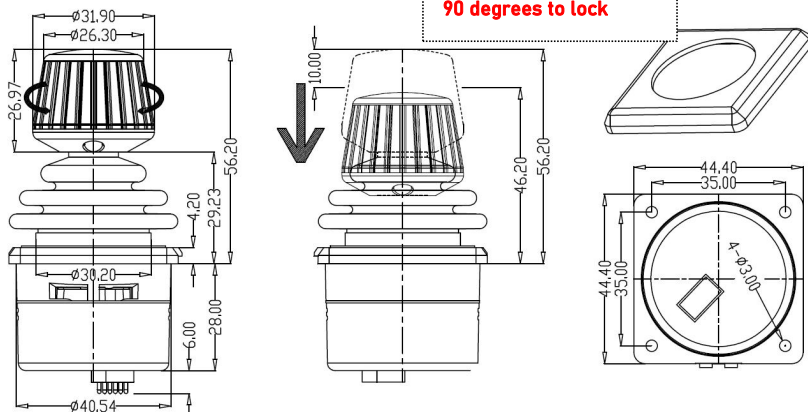
The handle can be compressed 10mm for use in portable devices



Round Limiter

- Compression distance: 10mm
- 3-axis, Hall sensor
- Operation angle: XY axis $\pm 20^\circ$, Z axis $\pm 18^\circ$
- Power supply: DC5V, DC12V optional
- Signal output: 0-5V (or 0.5-4.5V)
- Communication: RS232, RS422, CAN, USB
- Life span: 5 million times
- Replacement accuracy: less than 0.8%
- Operating temperature: $-40^\circ\text{C} \sim +70^\circ\text{C}$
- Storage temperature: $-50^\circ\text{C} \sim +80^\circ\text{C}$
- Protection level: IP65 above the panel

**Press down and rotate
90 degrees to lock**



MKF-JS04/H44 SERIES Hall joystick (1-3 axis)

Suitable for industrial robots, medical equipment, optical instruments



With decorative cover

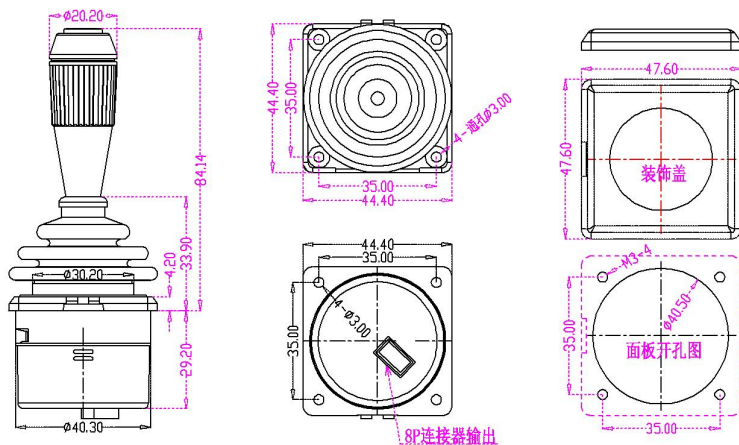


with top button



without button

- One, two, three axis, Hall sensor,
- Button: 1 button (reset) or no button
- Operation angle: XY axis $\pm 20^\circ$, Z axis $\pm 18^\circ$
- Power supply: DC5V, 12-24V (optional)
- Signal output: 0-5V (or 0.5-4.5V), RS232, RS485, USB, CAN (2.0B)
- Life span: 5 million times
- Material: stainless steel shaft and synthetic plastic
- Replacement accuracy: less than 0.8%.
- Operating temperature: $-40^\circ\text{C} \sim +70^\circ\text{C}$
- Storage temperature: $-50^\circ\text{C} \sim +80^\circ\text{C}$
- Protection level: IP65 above the panel

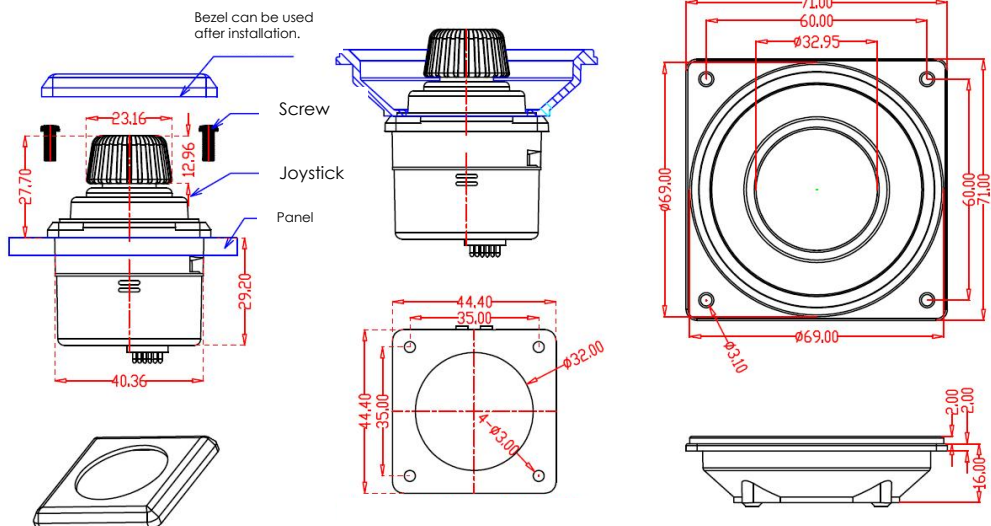


MKF-JS10/H44 SERIES 3-axis Hall joystick

Suitable for use in portable devices



- With decorative ring
- 2 or 3 axis, Hall sensor
- Operation angle: XY axis $\pm 20^\circ$, Z axis $\pm 18^\circ$
- Power supply: DC5V, DC12V optional
- Signal output: 0-5V (or 0.5-4.5V)
- Communication interface: RS232, RS422
- Life span: 5 million times
- Replacement accuracy: less than 0.8%.
- Operating temperature: $-40^\circ\text{C} \sim +70^\circ\text{C}$
- Storage temperature: $-50^\circ\text{C} \sim +80^\circ\text{C}$
- Protection level: IP65 above the panel



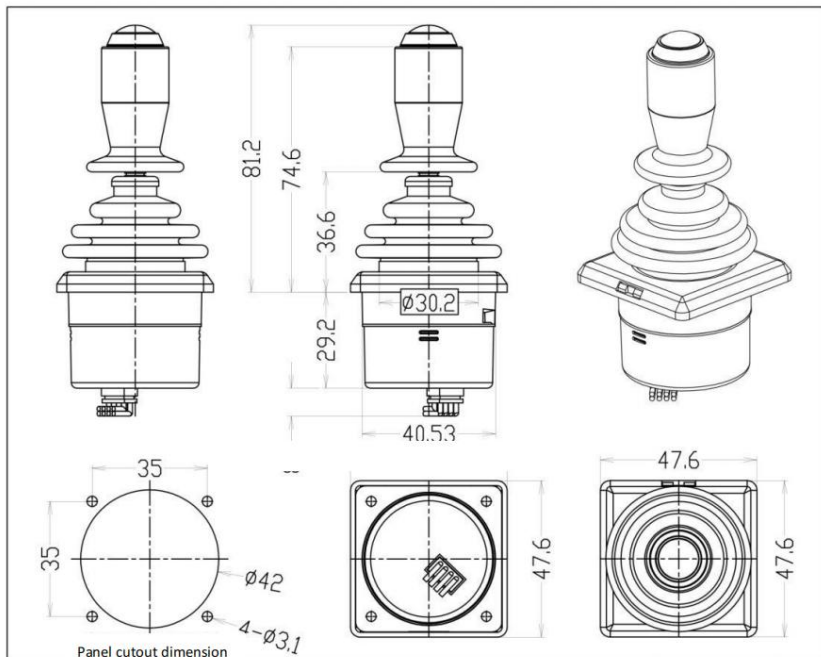
MKF-JS47/H44 SERIES 1-3 axis joystick

Used in industrial robots, robots, medical equipment, optical instruments



Round limiter
Cross limiter
Straight limiter

- 1/2/3 axis optional, Hall sensor
- Button: 1 button (momentary, reset)
- Operating angle: XY axis $\pm 20^\circ$, Z axis $\pm 18^\circ$
- Power supply: DC5V, 12-24V (optional)
- Signal output: 0-5V, RS232, RS485, USB, CAN (2.0B)
- Life span: 5 million times
- Material: stainless steel and engineering plastics
- Replacement accuracy: less than 0.8%.
- Protection level: IP65 above the panel
- Operating temperature: $-40^\circ\text{C} \sim +70^\circ\text{C}$

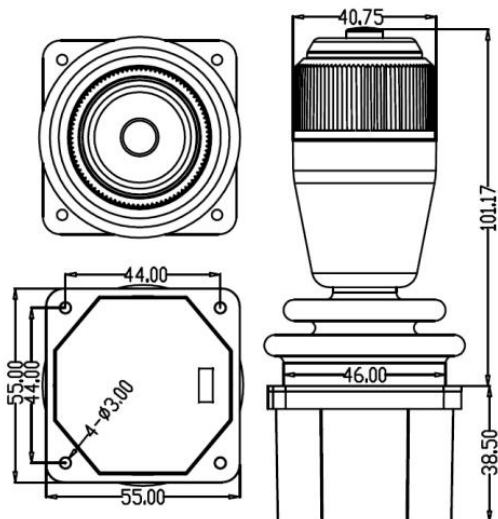


MKF-JS07/H55 SERIES 3-axis Hall joystick

Used in TV cameras, industrial robots, medical equipment, optical instruments



- Three-axis, Hall sensor
- Button: 1 button (reset)
- Operating angle: XY axis $\pm 25^\circ$, Z axis $\pm 36^\circ$
- Power supply: DC5V, 12-24V (optional)
- Signal output: 0-5V (or 0.5-4.5V), RS232, RS485, RS422, USB, CAN (2.0B)
- Life span: 5 million times; button 1 million times
- Material: aluminum alloy, stainless steel and engineering plastics
- Replacement accuracy: less than 0.1%.
- Protection level: IP54 above the panel
- Operating temperature: $-40^\circ\text{C} \sim +70^\circ\text{C}$

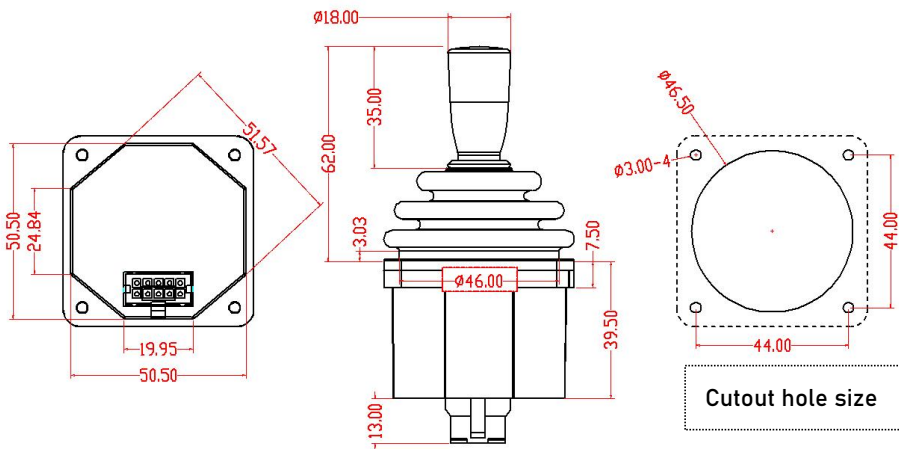


MKF-JS29/H55 SERIES 2-axis Hall joystick

Used in industrial robots, medical equipment, optical instruments



- 1-2 axis, Hall sensor
- Operation angle: XY axis $\pm 25^\circ$
- Operating range: round, straight, cross
- Power supply: DC5V, 12-24V (optional)
- Signal output: 0-5V (or 0.5-4.5V), RS232, RS485, USB, CAN (2.0B)
- Life span: 5 million times; button 1 million times
- Material: aviation aluminum alloy and ABS+PC material
- Replacement accuracy: less than 0.8%
- Operating temperature: $-40^\circ\text{C} \sim +70^\circ\text{C}$
- Protection level: IP65 above the panel

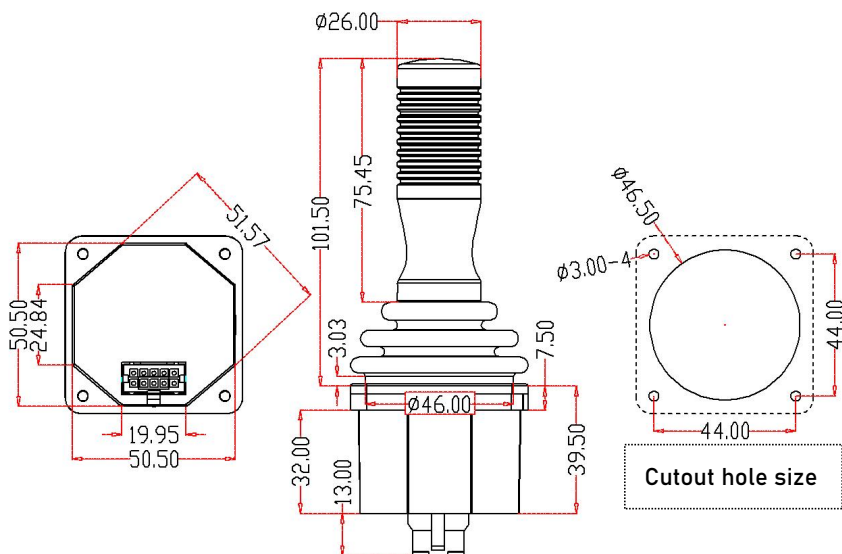


MKF-JS30/H55 SERIES

Used in machinery and equipment, industrial control, engineering machinery



- 1-2 axis, Hall sensor
- Operation angle: XY axis $\pm 25^\circ$
- Power supply: DC5V, 12-24V (optional)
- Signal output: 0-5V (or 0.5-4.5V), RS232, RS485, USB, CAN (2.0B),
- Life span: 5 million times
- Material: stainless steel, aluminum alloy and engineering plastics
- Replacement accuracy: less than 1%.
- Operating temperature: $-40^\circ\text{C} \sim +70^\circ\text{C}$
- Protection level: IP65 above the panel

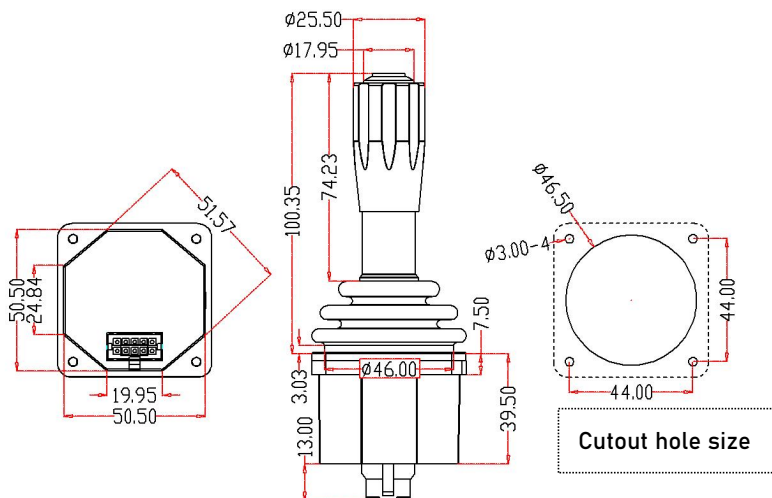


MKF-JS31/H55 SERIES 2-axis Hall joystick

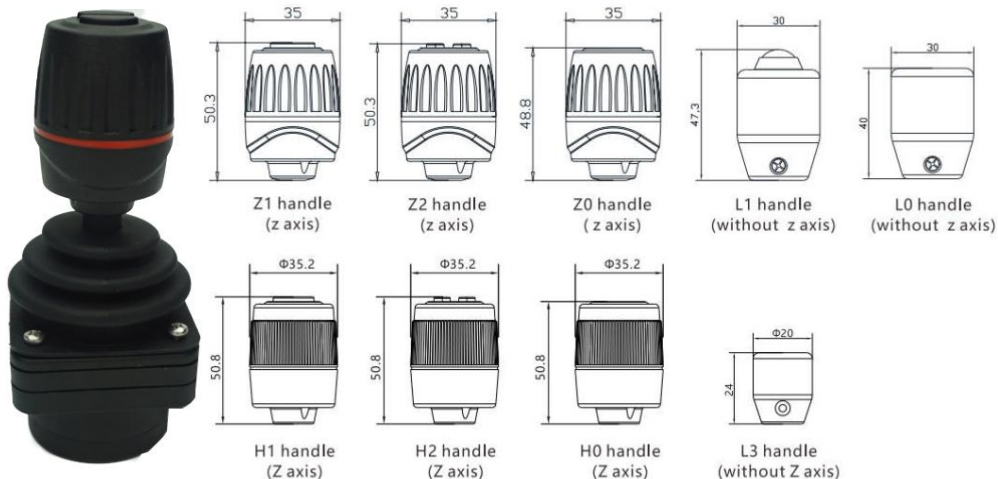
Used in machinery and equipment, industrial control, construction machinery



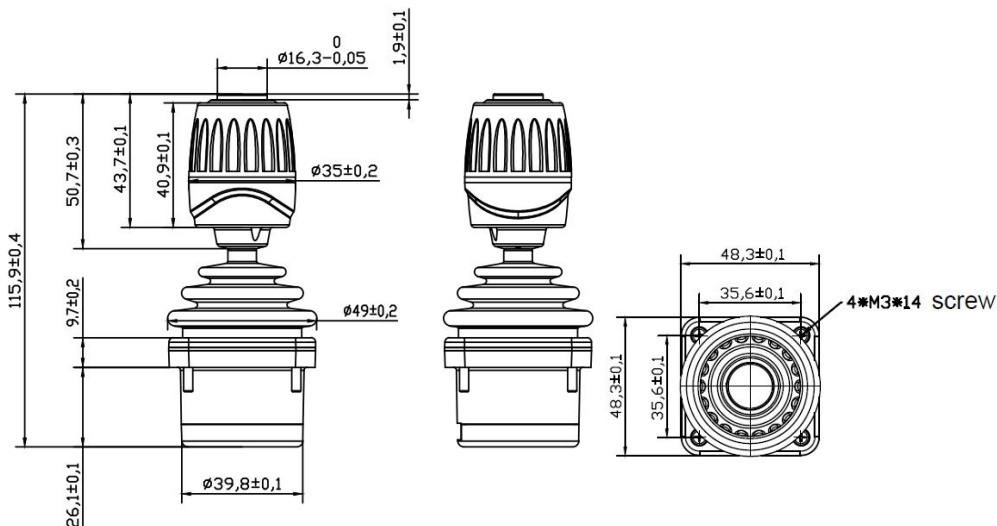
- 2-axis Hall sensor, 1 button (momentary, reset)
- Operation angle: XY axis $\pm 25^\circ$
- Power supply: DC5V or 12-24V (Optional)
- Signal output: analog voltage 0-5V, RS232, RS485, USB, CAN (2.0B)
- Life span: 5 million times; button > 5 million times
- Material: aviation aluminum alloy and ABS+PC material
- Replacement accuracy: less than 0.8%.
- Operating temperature: $-40^\circ\text{C} \sim +70^\circ\text{C}$
- Protection level: IP65 above the panel



MKF-JS91 3-axis Hall joystick



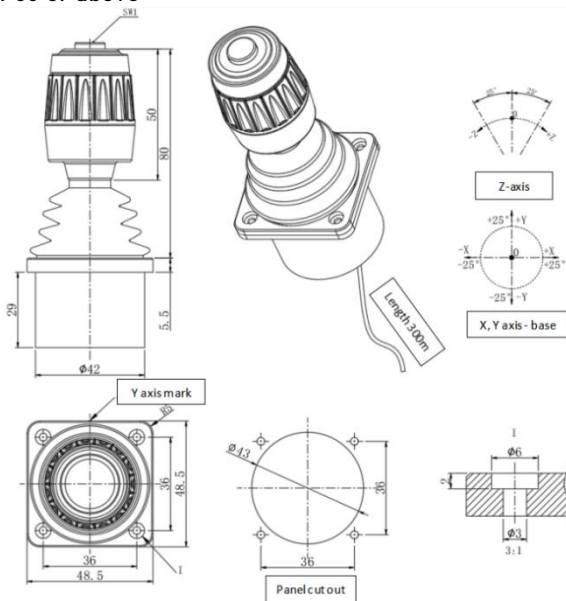
- The spring automatically returns to the neutral position
- Operation range: Straight,cross,round,square etc.
- Signal output: USB/Analogue voltage/RS232/CAN
- Operation angle: XY axis $\pm 28^\circ$, Z axis $\pm 42^\circ$
- IP65 protection; temperature: -30 degrees to +70 degrees
- Power supply: DC5V or DC9-36V
- Protection level: IP65 above the panel



MKF-JS99 Multi Axis Hall joystick



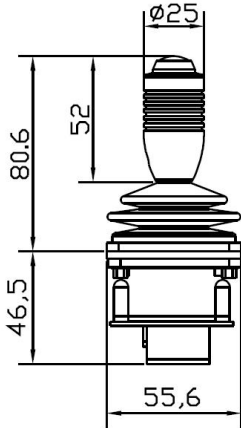
- Material stainless steel + engineering plastic
- Protection: IP65 above the panel
- Positioning: spring returns, friction hold optional
- Operating angle X/Y: ± 25 degrees
- Sensor: Hall sensor
- Power supply: DC5V
- Signal output: Analog voltage $(0 \pm 0.1) \text{ Vdc} \sim (2.5 \pm 0.1) \text{ Vdc} \sim (5 \pm 0.1) \text{ Vdc}$
- Operating life: 10 million times
- Working temperature: $-40^{\circ}\text{C} \sim +70^{\circ}\text{C}$
- Protection level: IP65 or above
- Current: $<100\text{mA}$



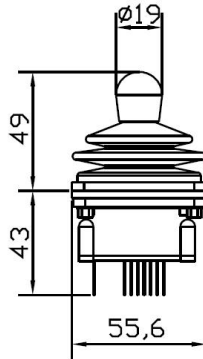
MKF-PJS05 Potentiometer joystick, Multi Axis



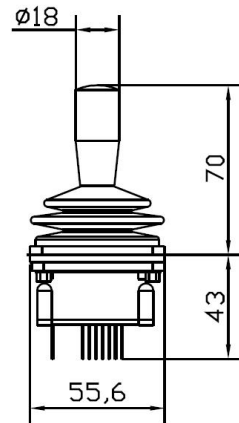
- Dual-axis finger operated, spring return
- Spring return
- With center tap potentiometer angle detection
- 2mA (max) current directional switch
- Proportional amplifier to direct drive hydraulic proportional valve optional



H handle



S handle



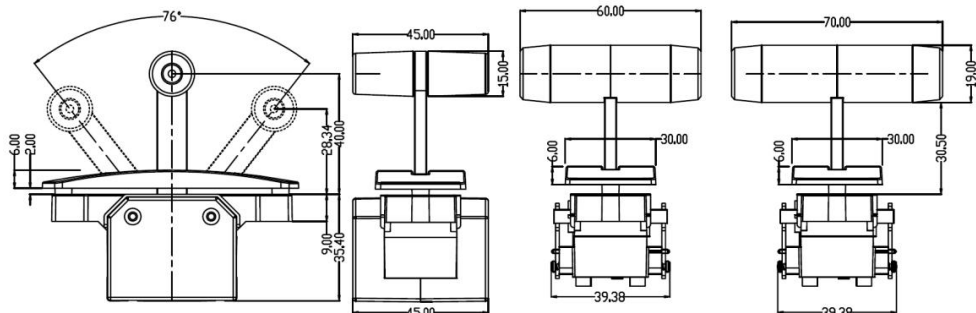
L handle

MKF-JS23 Single axis joystick series



Suitable for director switchers and industrial applications

- Single axis, Hall sensor
- Handle size: 45mm/60mm/70mm
- Positioning: friction resistance positioning (standard configuration)
- Spring automatic return (customized)
- Central gear: central mechanical gear (optional)
- Operation angle: XY axis $\pm 38^\circ$ (total 76°)
- Power supply: DC5V
- Signal output: analog voltage 0-5V, USB
- Current: 0-20MA,
- Life span: 5 million times;
- Operating temperature: $-40^\circ\text{C} \sim +70^\circ\text{C}$

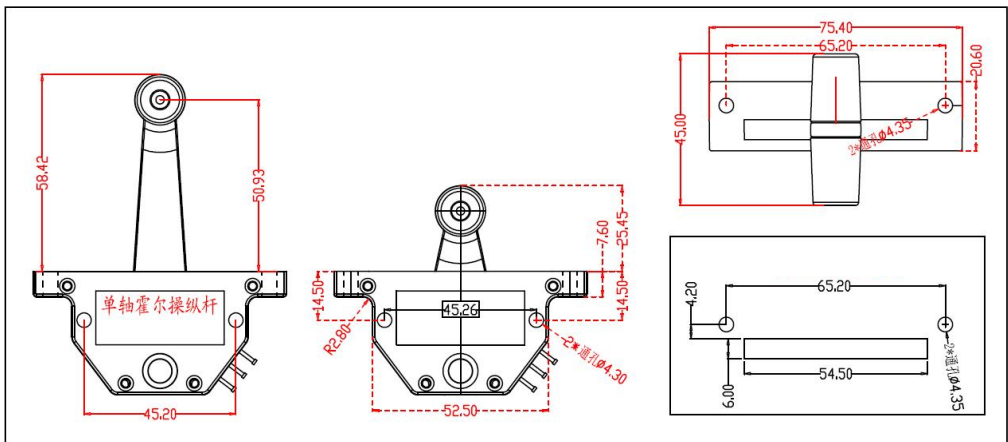


MKF-JS18 Single-axis joystick (T-BAR)



MKF-JS18 series single-axis joystick is the main accessory of video switcher products. It adopts German imported Hall sensor, full temperature range linear compensation, multi-point linearity correction, non-contact of moving parts and sensor, long life, advanced structure design and imported damping material, with good hand feeling, widely used in broadcasting TV products.

- 1 axis
- Sensor: Hall sensor
- Handle material: aluminum alloy, anodized surface
- Positioning method: friction resistance positioning
- Operation angle: 60 degrees
- Power supply: DC5V
- Power consumption: 12MA (Test conditions: 5V power supply, analog signal output)
- Signal output: analog voltage 0-5V
- Life: more than 5 million times;
- Operating temperature: $-40^{\circ}\text{C} \sim +70^{\circ}\text{C}$
- Protection: IP54

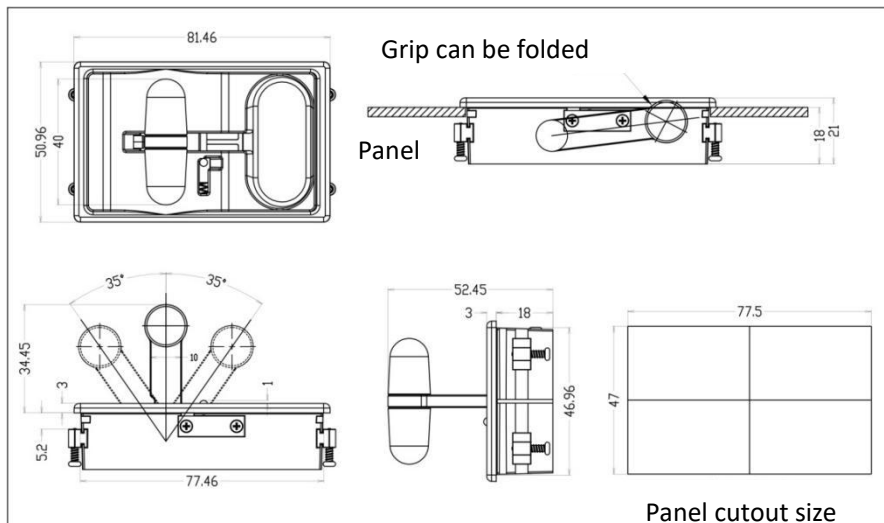


MKF-JS18-V2 Single-axis joystick (T-BAR)



MKF-JS18-V2 series single-axis joystick is the main accessory of video switcher products. Foldable design can save space. It adopts German imported Hall sensor, full temperature range linear compensation, multi-point linearity correction, non-contact of moving parts and sensor, long life, advanced structure design and imported damping material, with good hand feeling, widely used in broadcasting TV products.

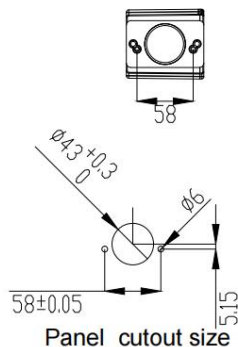
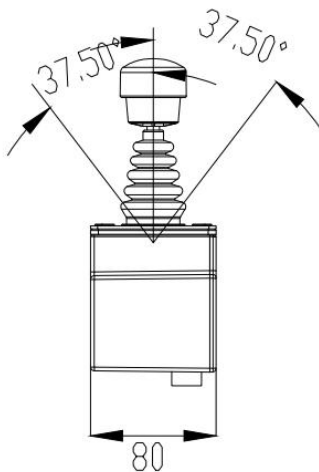
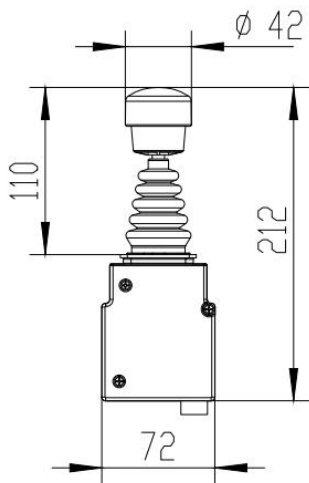
- 1 axis
- Sensor: Hall sensor
- Handle material: aluminum alloy, anodized surface
- Positioning method: friction resistance positioning
- Operation angle: 60 degrees
- Power supply: DC5V
- Power consumption: 12MA (Test conditions: 5V power supply, analog signal output)
- Signal output: analog voltage 0-5V
- Life: more than 5 million times;
- Operating temperature: $-40^{\circ}\text{C} \sim +70^{\circ}\text{C}$
- Protection: IP54



MKF-PJS01 Hall / Potentiometer, Single Axis Joystick



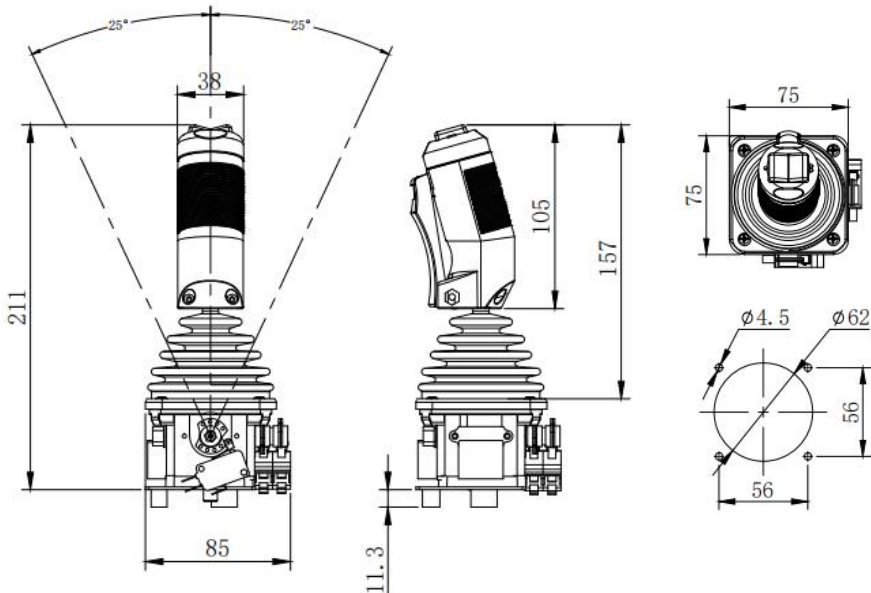
- Single-axis forward and backward directional or single directional operated
- Friction lock or spring return
- Center and start (end) position mechanical lock optional
- Hall and potentiometer is optional
- Microswitch optional (maximum 10A@30Vdc)
- A variety of handle models can be configured
- Potentiometer: 2K Ω , 5K Ω , 10K Ω optional



MKF-PJS02 Hall / Potentiometer, Single/Dual Axis



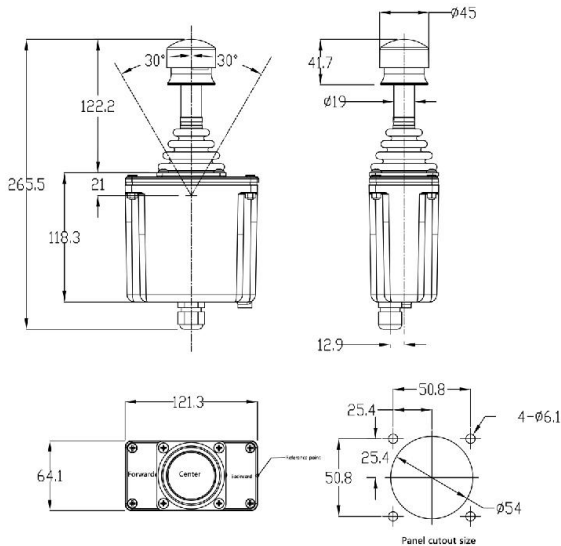
- Spring return, single-axis or dual-axis operated
- Cross direction or arbitrary direction operated optional
- Potentiometer or hall effect angle detection, long life
- Large current microswitch optional (10A@30Vdc)
- Various output optional
- Various handle optional



MKF-PJS03 Hall / Potentiometer, Single Axis



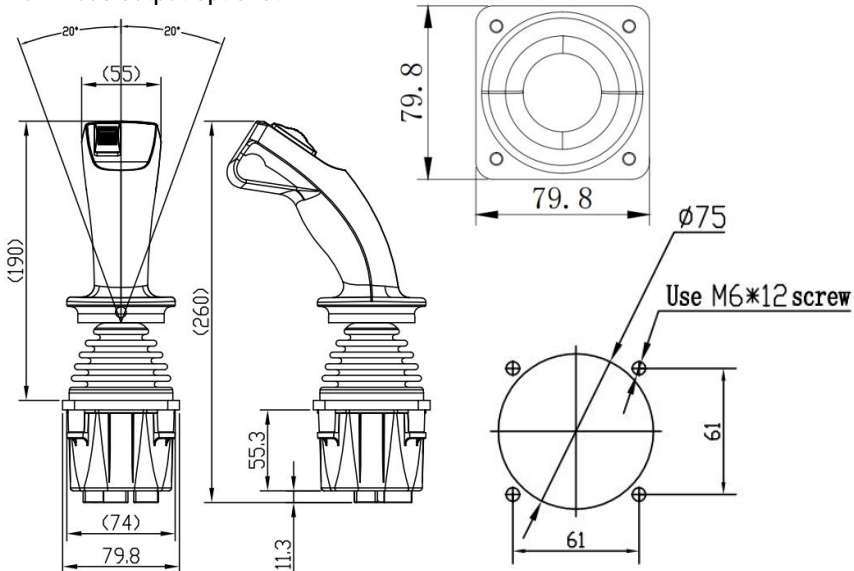
- Rugged components designed for the construction environment
- Potentiometer tracks for angular-detecting
- Friction held and spring return for choice
- Center-lock is a mechanical option
- Providing optional grips with different shapes
- The number and position of the switches are customized designed
- PWM output drives proportional solenoid valve
- Depending on the proportional solenoid valve to set starting current, maximum current and PWM frequency
- CAN output is an option



MKF-PJS04 Hall / Potentiometer joystick, Multi Axis



- Ergonomics design on mobile application.
- Contactless hall effect and long expect-life potentiometer optional.
- Various handle, different number and location of button.
- Switches optional.
- CAN bus output optional.

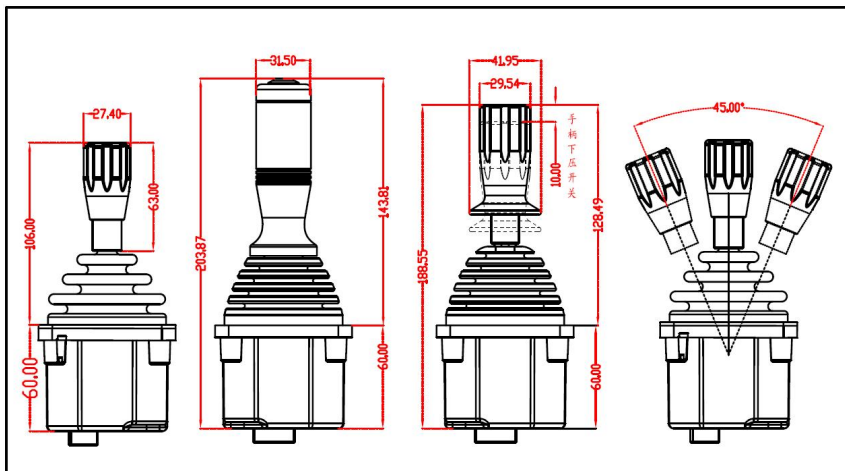


MKF-JS32/H80 SERIES 2-axis Hall joystick

Suitable for aviation/ Ship/ Construction machinery



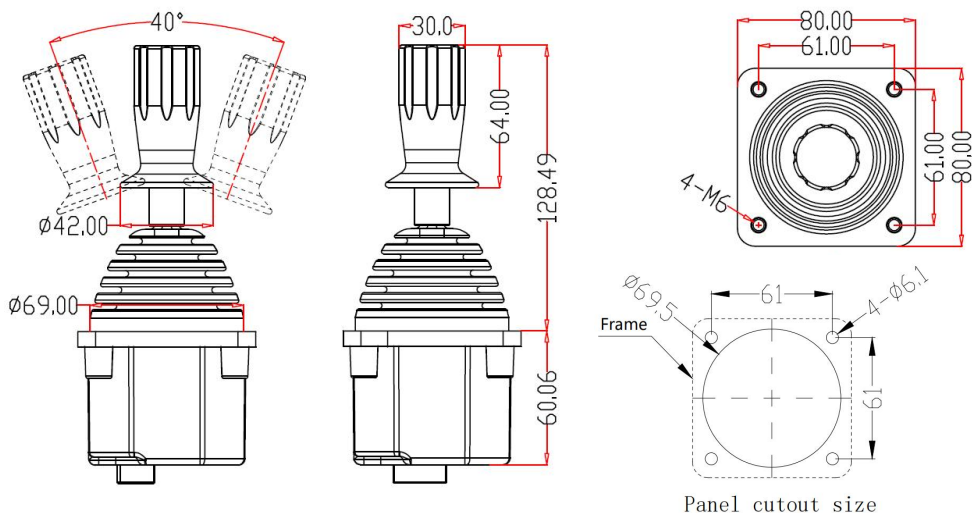
- Positioning method: spring return
- Button: 1 button
- Operation angle: $\pm 22.5^\circ$
- Central gear: independent central mechanical gear
- Power supply: DC5V, 12-28V (optional)
- Signal output: 0-5V/RS232/RS422/ CAN, PWM (0-500mA) proportional valve signal
- Life span: 5 million times; accuracy: less than 0.1%.
- Material: aluminum alloy + stainless steel
- Protection level: IP65 above the panel
- Proportional valve control has acceleration and deceleration speed, curve, maximum current, minimum current setting functions



MKF-JS33/H80 SERIES 2-axis Hall joystick, w/ push-down switch



- Positioning method: spring automatic reset
- Operation angle: $\pm 22.5^\circ$
- Power supply: DC5V, 12-28V (optional)
- Signal output: 0-5V/RS232/RS422/CAN/USB/PWM (0-500mA) proportional valve signal
- Life span: 5 million times
- Repeat accuracy: less than 1%
- Material: plastic, aluminum alloy, stainless steel
- Protection level: IP65 above the panel

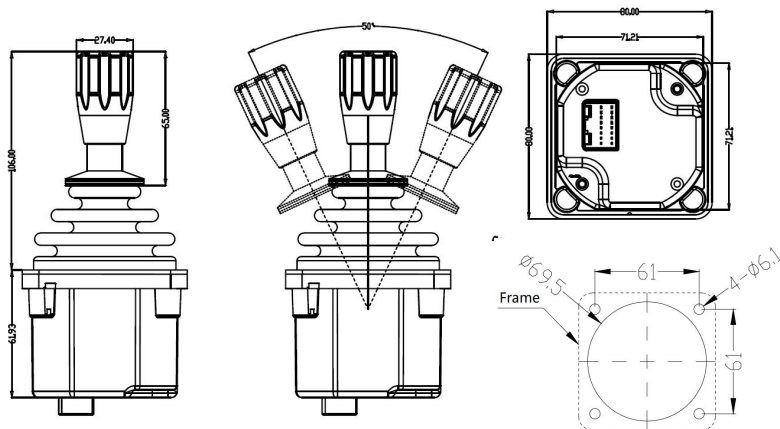


MKF-JS34/H80 SERIES 3-axis Hall joystick

Suitable for aviation and ships



- XY axis positioning: automatic spring reset
- Z axis positioning: friction resistance positioning
- Operation angle: XY axis $\pm 22.5^\circ$, Z axis $\pm 135^\circ$
- Central gear: obvious manipulator feel in the center of Z axis
- Power supply: DC5V, 12-24V (optional)
- Signal output: 0-5V, USB, RS232, RS422, CAN
- PWM (0-500mA) proportional valve signal
- Life: 5 million times; accuracy: less than 0.1%.
- Material: aluminum alloy + stainless steel
- Protection level: IP65 above the panel

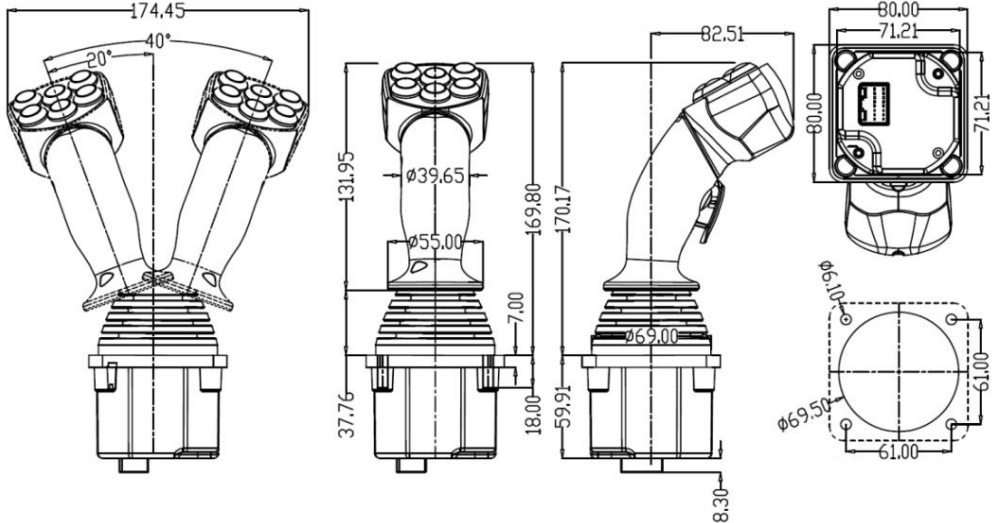


Panel cutout size

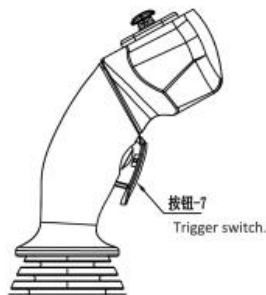
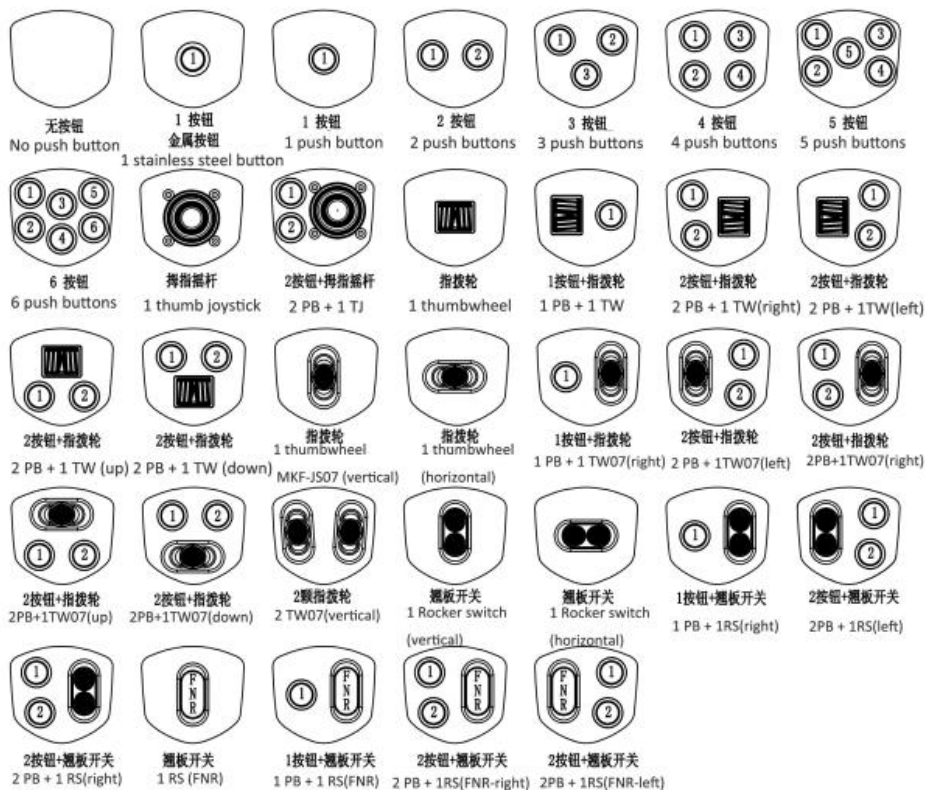
MKF-JS05/H80 SERIES series



- Multi- axis Hall sensor joystick
- Button: 2~6 buttons + trigger switch
- Trigger switch, thumb wheel
- Button color: red/green/blue/yellow/black
- Direction switch: 4 direction switches
- Positioning method: spring automatic reset
- Operation angle: $\pm 22.5^\circ$
- Power supply: DC5V, 12-24V (optional)
- Signal output: single sensor or double sensor (cross)
/Analog voltage 0-5V/0.5-4.5V/0.3-4.7V@middle position 2.5V
/Analog voltage signal, linear V-curve + direction switch
/Analog voltage signal, V-shaped curve (low middle position) + direction switch
/RS232/RS422/RS485/CANOPEN/CAN J1939/USB(HID2.0)
/Modbus master or slave
- Life: more than 5 million times
- Repeat accuracy: less than 0.8%.
- Material: plastic, aluminum alloy, stainless steel
- Protection level: IP65 above the panel
- Working temperature: $-40^\circ\text{C} \sim +75^\circ\text{C}$
- Proportional valve control has acceleration and deceleration, curve, maximum current, minimum current setting functions



Panel layout options



MKF-JS35/H71 SERIES

Used in heavy machinery, hydraulic equipment, electric vehicle control



Single axis with multi- buttons



Single axis 1 button



2-axis, handle rotatable



Single axis

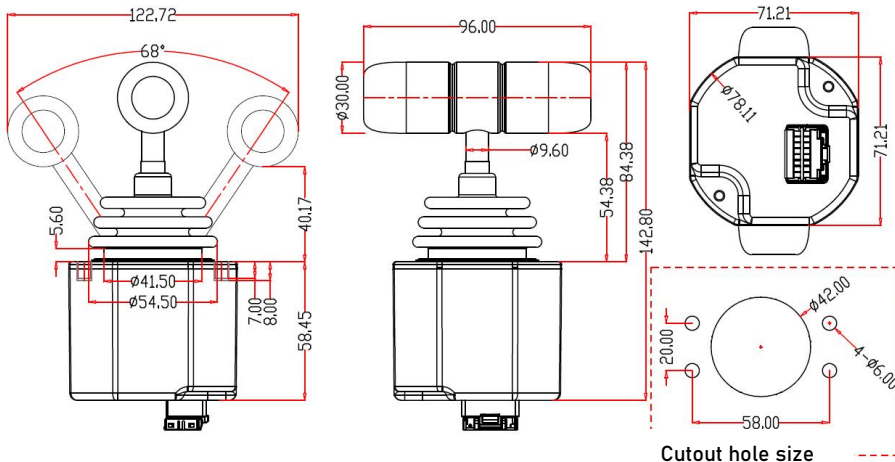


Center with mechanical lock



Single axis 1 button

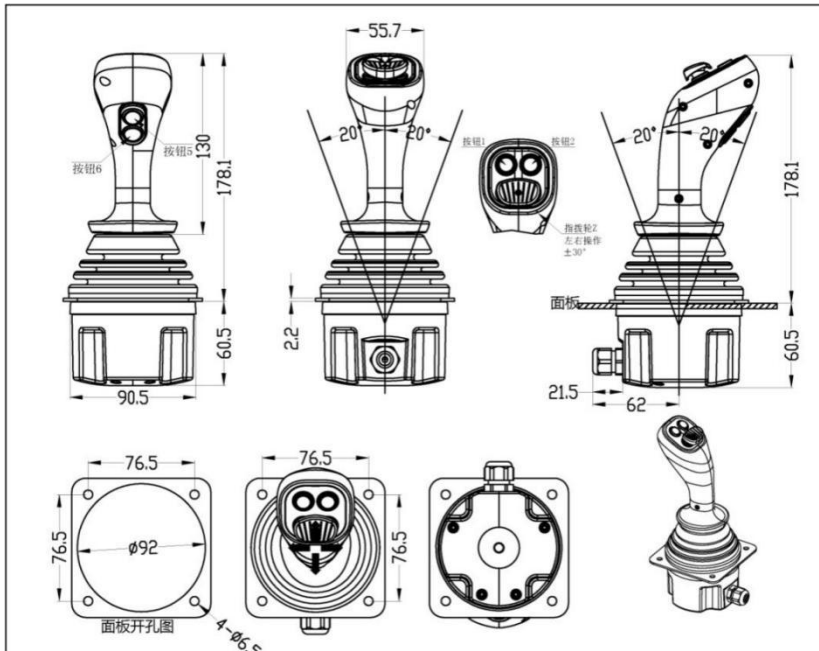
- Positioning method: spring automatic reset/friction brake
- Mechanical gear position: feel of mechanical gear position (positioning with limited resistance)
- Sensor: Hall sensor
- Direction switch: 2 * 2A/12V operating angle: $\pm 34^\circ$, total angle 68°
- Power supply: DC5V/12-29V
- Signal output: voltage 0-5V, USB, CAN PWM (0-500mA) proportional valve signal
- Life: 5 million times; accuracy: less than 0.8%.
- Material: aluminum alloy, stainless steel
- Protection level: IP65 above the panel
- Proportional valve control has acceleration and deceleration speed, curve, maximum current, minimum current setting functions



MKF-JS59

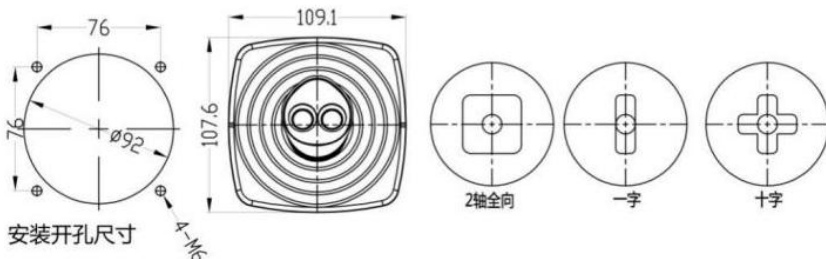
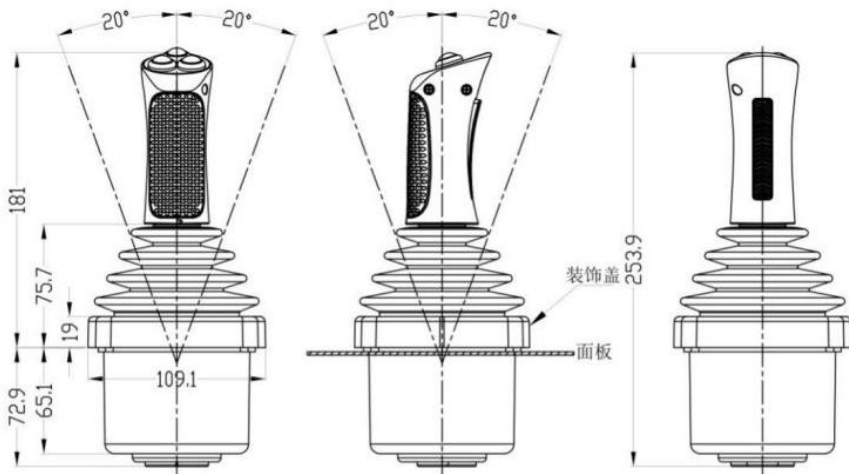


- 2-axis omnidirectional, spring automatic reset
- Operating angle: $\pm 20^\circ$
- Power supply: DC5V, 12-24V (optional)
- Signal output: 0-5V, CAN, RS232/422
- Lifespan: greater than 5 million times;
- Materials: plastic, aluminum alloy, stainless steel
- Protection level: IP65 above the panel
- Operating temperature: $-40^\circ\text{C} \sim +75^\circ\text{C}$



MKF-JS65

- Same operating feel as hydraulic control;
- Straight handle, 0-3 buttons+enable switch
- 1-2 axes, spring return, friction brake, gear position, and combination positioning;
- One way limit, cross limit, square limit, T-shaped H-shaped, etc;
- Signal output: 0.5-4.5V, RS422, RS232, CAN, USB
- Protection level: IP67 above the panel
- Temperature: -40 ° C to +70 ° C;
- Power supply: DC5V or DC9-36V



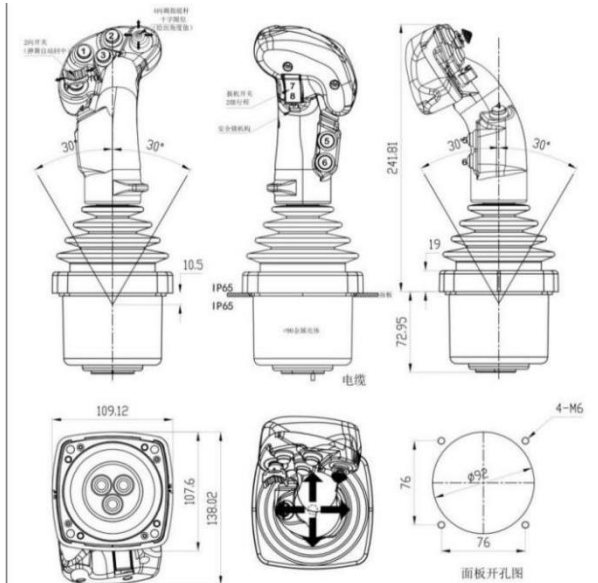
安装开孔尺寸

4-M6

MKF-JS40 series drone joystick



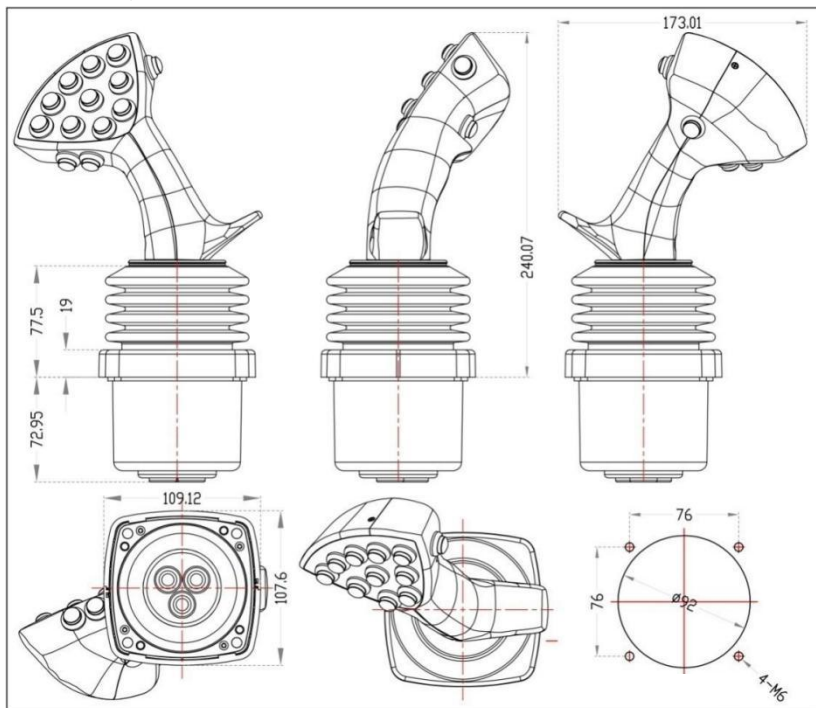
- Handle material: aluminum-magnesium alloy
- Return mode: the spring automatically returns to the neutral position
- Configuration parameters: 6 waterproof button switches
- 1 * trigger switch with 2 strokes
- 1 * 2-way self-reset switch
- 1 * cross thumb Hall rocker
- Signal output: 0.5-4.5V/RS422/232/CAN/USB/ switch
- Life span: more than 5 million times
- Power supply DC5V or DC9-36V



MKF-JS11 (Right handle)



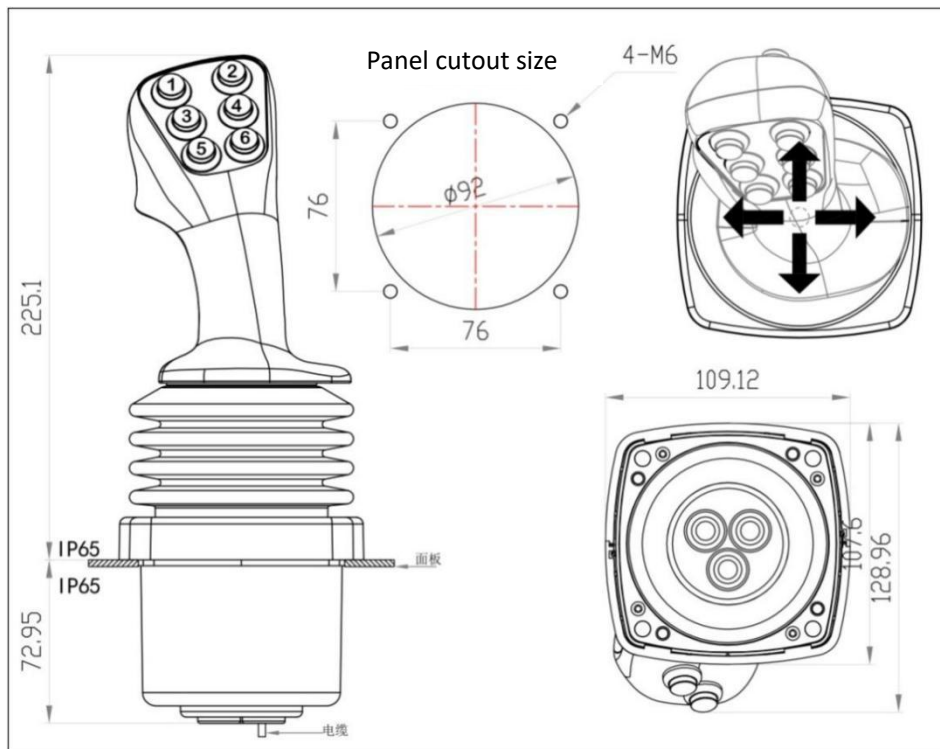
- Multi-axis friction positioning or a combination of spring return and friction positioning
- Various operation ranges such as straight / cross / square / T-shape / H-shape, etc.
- Signal output: 0.5-4.5V, RS422, RS232, CAN, USB, switch, etc.
- IP65 protection; temperature: -40 degrees to +70 degrees
- Power supply: DC5V or DC9-36V



MKF-JS12 (Both left and right handles)



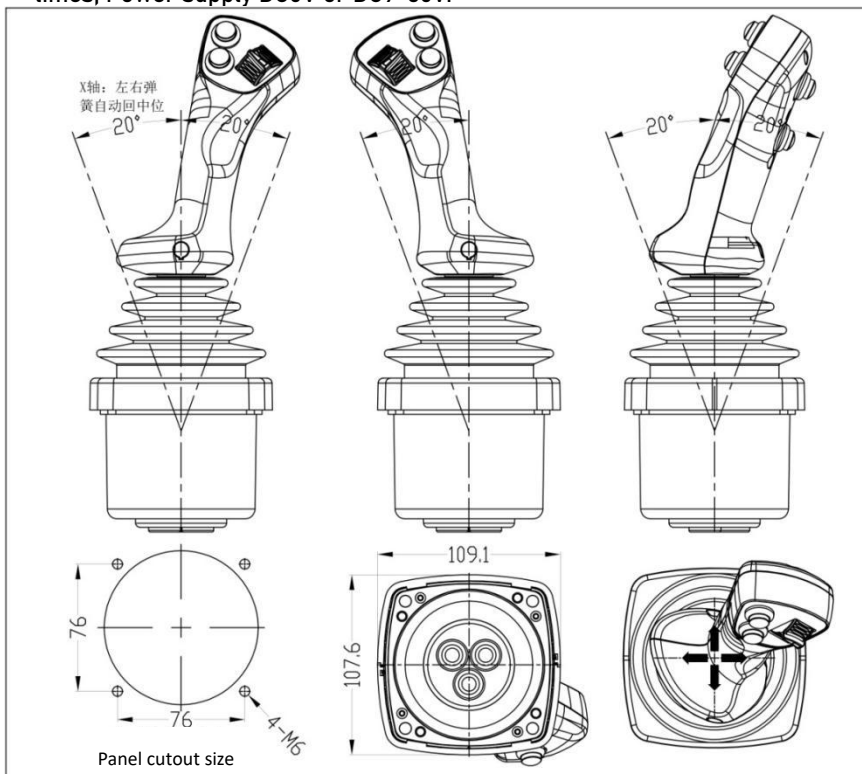
- The same feel as the hydraulic control; spring returns to the neutral position
- Various operation ranges such as straight / cross / square / T-shape / H-shape, etc.
- Signal output: 0.5-4.5V, RS422, RS232, CAN, USB, switch, etc.
- IP65 protection; temperature: -40 degrees to +70 degrees
- Power supply: DC5V or DC9-36V



MKF-JS13 (Both left and right handles)



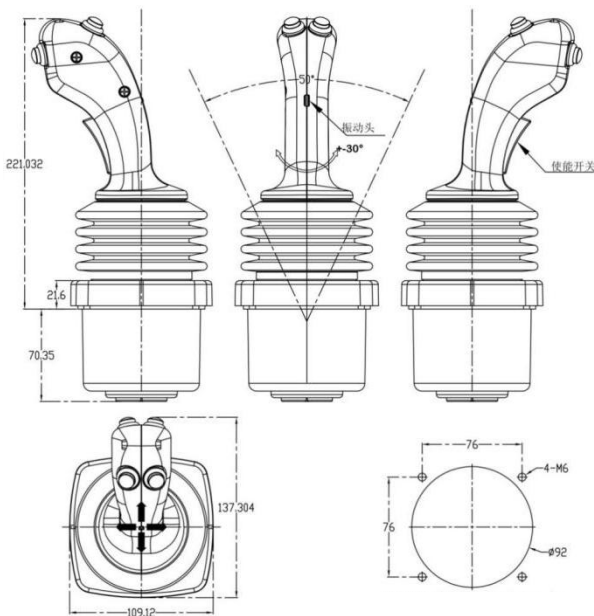
- The same as the hydraulic control feel; the spring returns to the neutral position; straight / cross / square / T-shape / H-shape, etc operation limiter.
- signal output: analogue voltage (0.5-4.5V), RS422, RS232, CAN etc.
- IP65 protection; temperature: -40 degrees to +70 degrees; lifespan: more than 5 million times; Power supply DC5V or DC9-36V.



MKF-JS14



- Same as the hydraulic control feel
- Multi-axis: XY axis, XYZ axis, Z axis handle ± 30 degree rotation (optional)
- Hall sensor; with vibration feedback
- Any combination of spring return and friction positioning
- Straight/cross/square/T-shaped/Z-shaped limit
- Signal output (0.5-4.5V, RS422, RS232, CAN, USB, switch, etc.)
- IP65 protection; temperature: -40 degrees to +70 degrees
- Life span: more than 5 million times

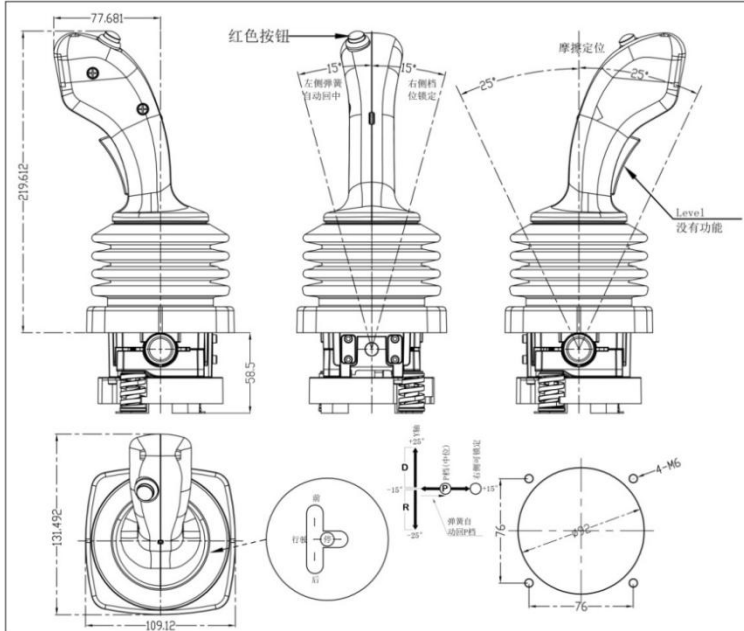


Cutout size

MKF-JS36



- Front/rear throttles, left/right gears
- Hall sensor
- With vibration feedback
- Y-axis friction positioning, the middle position has gear vibration feeling
- X axis: left D gear (spring return to center) middle N, right P gear
- Multiple signal output (0.5-4.5V, RS422, RS232, CAN, and switch combination, etc.)
- IP65 protection; temperature: -40 degrees to +70 degrees
- 1 enable switch, multiple waterproof button switches
- Lifespan: more than 5 million times; power supply is DC5V or DC9-36V

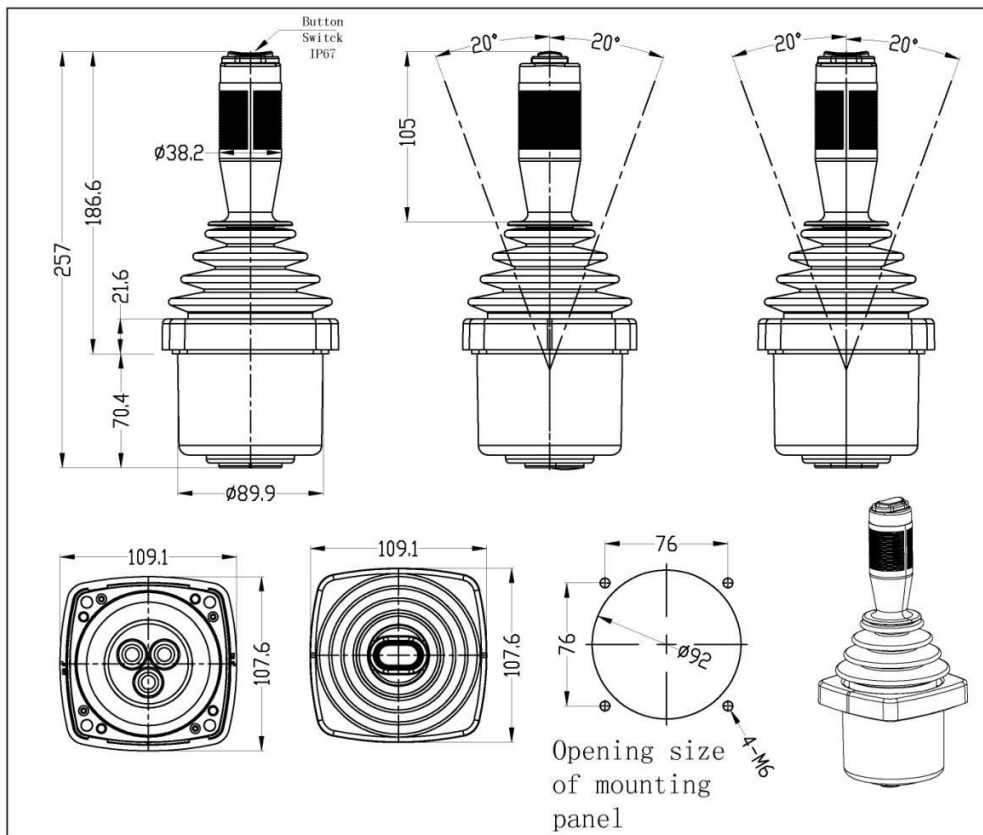


Panel cutout size

MKF-JS93



- Handle can be chose: 1 button on the top/2-way reset switch/3 position switch
- 1-2 axis, spring return, friction hold
- Straight/cross/square/T shape/H shape operation limiter optional
- Power supply: DC 5V or DC9-36V

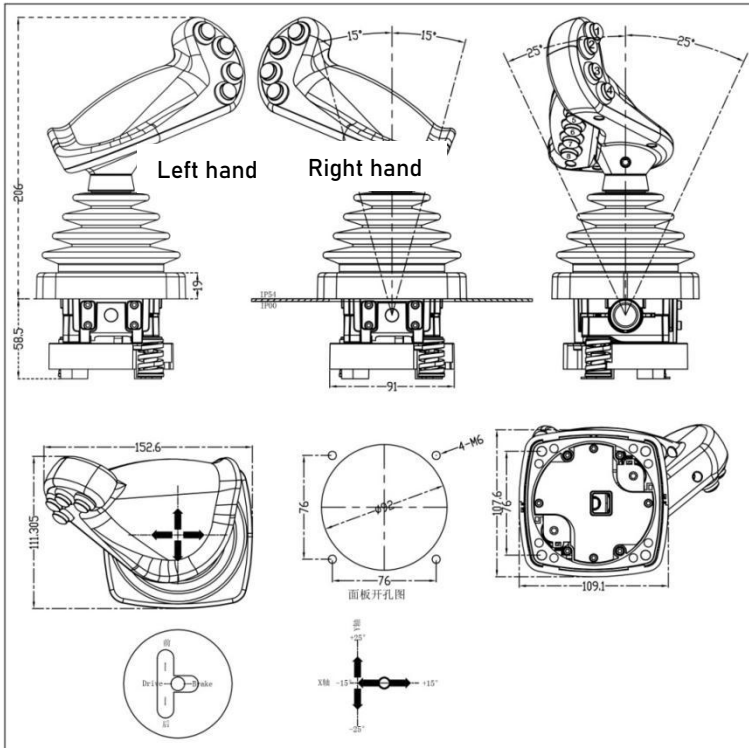


MKF-JS21 (Both left and right handles)

Used in road roller and bulldozer control.



- Front and rear throttle, left and right gear
- Y-axis friction positioning, the middle position has gear vibration feeling
- X axis: left D gear (spring return to center), Middle N gear, right P gear
- Signal output 0.5-4.5V, RS422, RS232, CAN, etc.

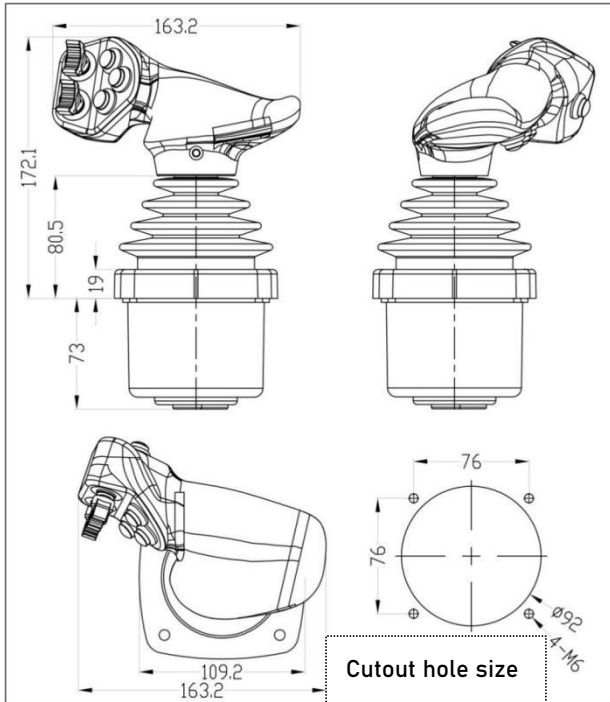


MKF-JS37 (Right handle)

Used in agricultural machinery, port machinery.



- The spring automatically returns to the neutral position
- Operation range of straight limit, cross limit, square limit, etc.
- Signal output: 0.5-4.5V, RS422, RS232, CAN
- IP65 protection; temperature: -40 degrees to +70 degrees
- Power supply: DC5V or DC9-36V

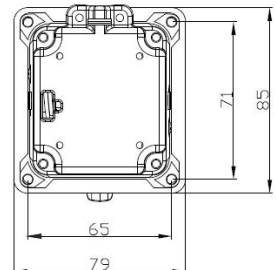
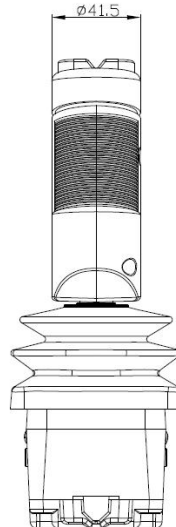
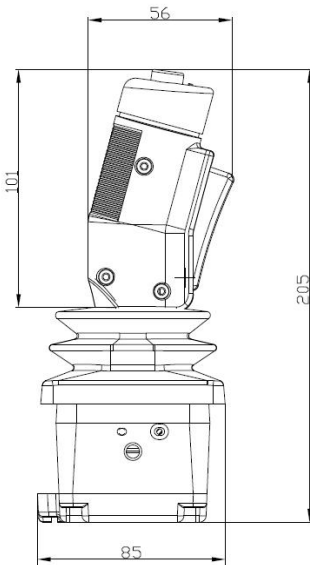


MKF-JS53

Mate Industrial Joystick, Hall sensor, multi Axis, Panel Mounted



- Spring return, single-axis or dual-axis operated
- Cross direction or arbitrary direction operated optional
- Hall effect angle detection, long life
- Various output optional

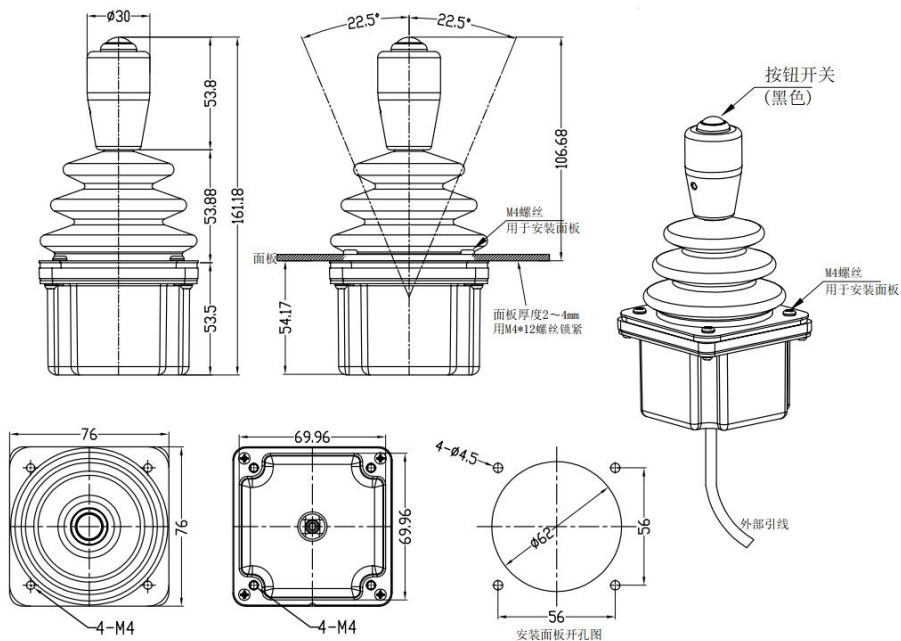


MKF-JS55

Mate Industrial Joystick, Hall effect, 2 axis, Panel Mounted



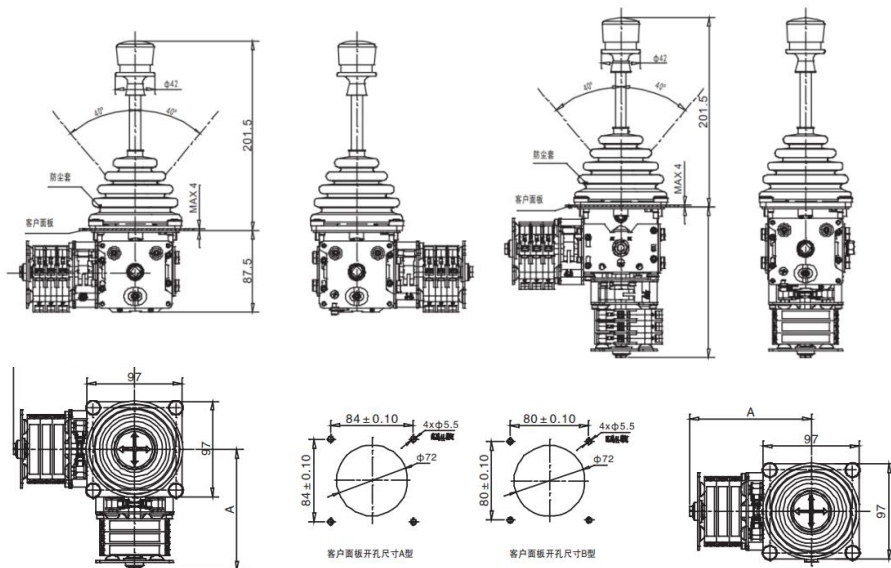
MKF-JS55 is a 2 axis Hall-type industrial joystick, instrument panel installation method, stainless steel and aluminum alloy materials, spring automatic return structure, German high-precision Hall-type sensor, full temperature range linear correction, IP65 protection level, smoother operation Feel, ergonomic mechanical design. reliable for long life span usage. This joystick is specially designed for rotary excavator and other heavy-duty or safety-critical applications.



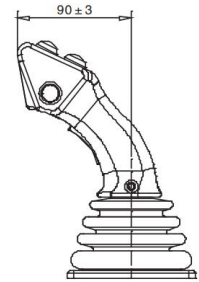
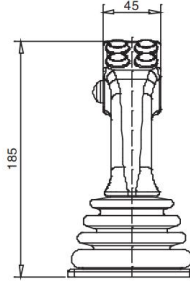
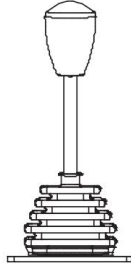
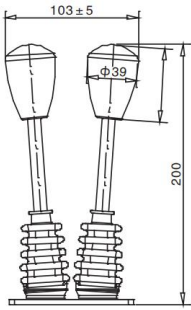
MKF-QT01 series



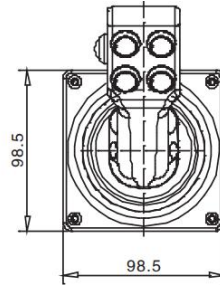
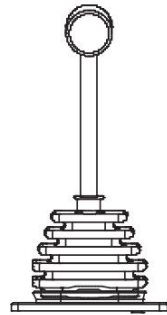
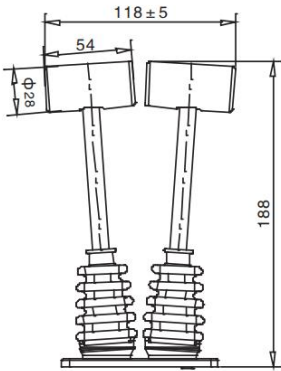
QT01 series controller type crane console is mainly used in AC 50HZ(60HZ),rated voltage 380V(440V) in the following secondary circuits , realize motor commutation, speed regulation, braking, linkage, and transfer operate control etc. Qt01 rotary crane console is ergonomically designed with excellent and comfort operation feeling. The equipment box is made of steel sheet, standard deploy hinged cover with locking function. It is also easy to maintain. The joystick indicator and control unit are arranged according to customer specifications.combined with the available customized dimension and shaped equipment boxes.



Main and auxiliary hook



Grab

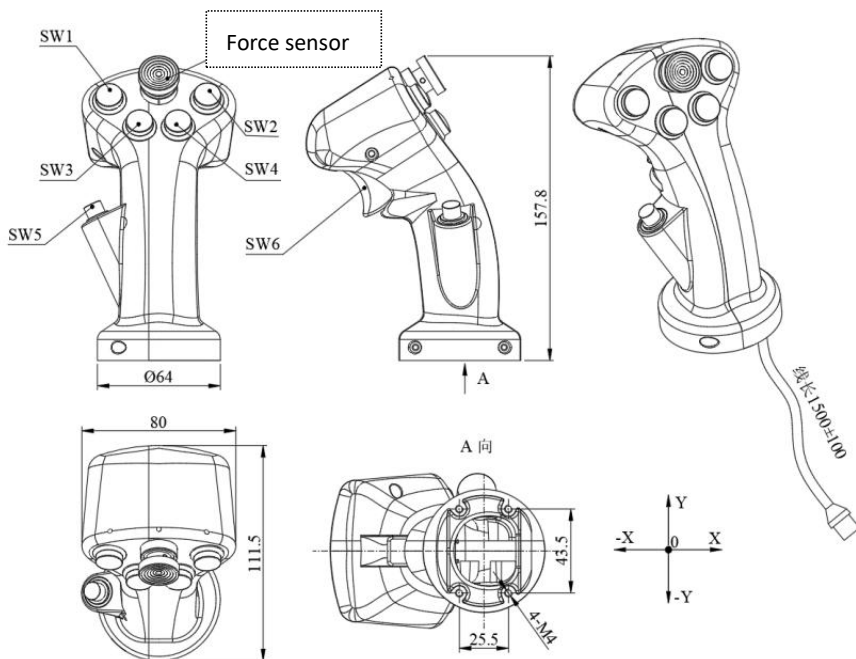


Contacts	Size A	Size B
2	98	135
4	110.5	147.5
6	123	160
8	135.5	172.5
10	148	185
12	160.5	197.5

MKF-FS01 Force sensor joystick



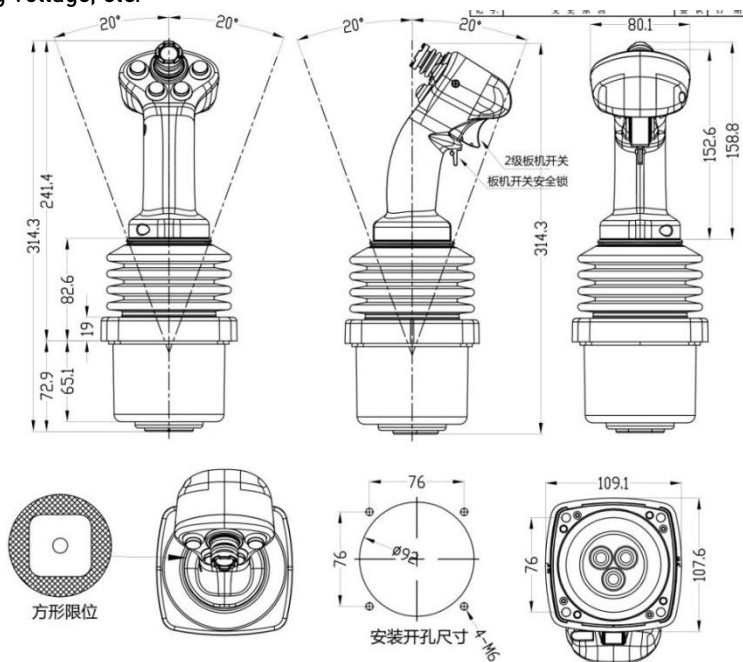
MKF-FS01 is made of aviation aluminum alloy, which has good environmental adaptability and strong experimentation. Safe and reliable. With an ergonomic design, the handle is installed with momentary push buttons, one trigger switch and one force sensor joystick. Mainly used in construction machinery, aerospace equipment. The protection level can reach IP65, the handle can be equipped with various types of switches, and the sensor can achieve the implementation of related functions.



MKF-FS02



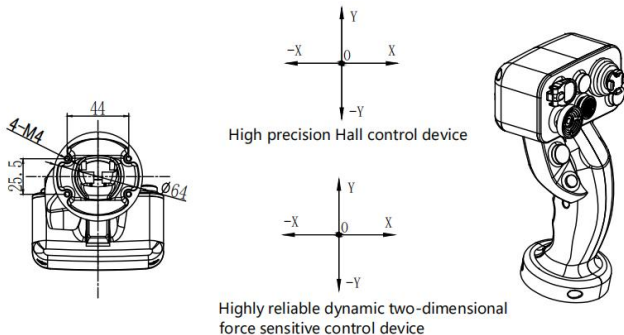
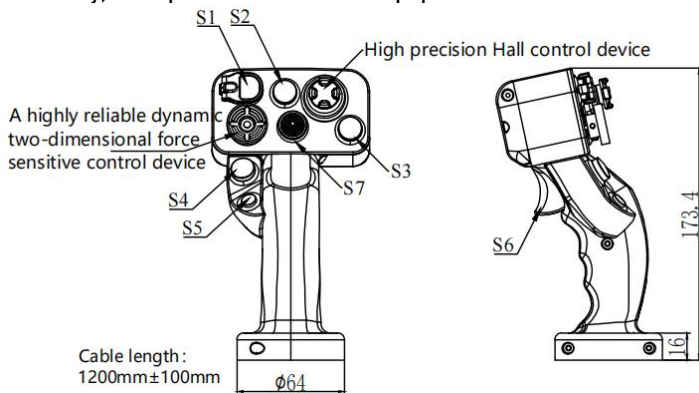
MKF-FS02 is made of aviation aluminum alloy, which has good environmental adaptability and strong experimentation. Safe and reliable. With an ergonomic design, the handle is installed with momentary push buttons, one trigger switch and one force sensor joystick. Mainly used in construction machinery, aerospace equipment. The protection level can reach IP65, the handle can be equipped with various types of switches, and the sensor can achieve the implementation of related functions. The handle panel can be customized, with signal output of CAN, USB, RS232, RS422, analog voltage, etc.



MKF-FS03



MKF-FS03 is made of high-quality aluminum alloy material, which has good environmental adaptability and strong experimentation. Safe and reliable. With an ergonomic design, the handle equipped with 6 self resetting switches, 1 four-way switch, 1 highly reliable dynamic two-dimensional force sensitive control device, 1 high-precision Hall joystick. Operated by the thumb, to achieve specific functions according to one's own needs through relevant switch buttons. The protection level can reach IP65/IP67, the handle can be equipped with various types of switches, and the sensor can achieve the implementation of related functions. The handle panel can be customized, with signal output of CAN, USB, RS232, RS422, analog voltage, etc. Mainly used in industry, aerospace area or some equipment used in harsh environments.

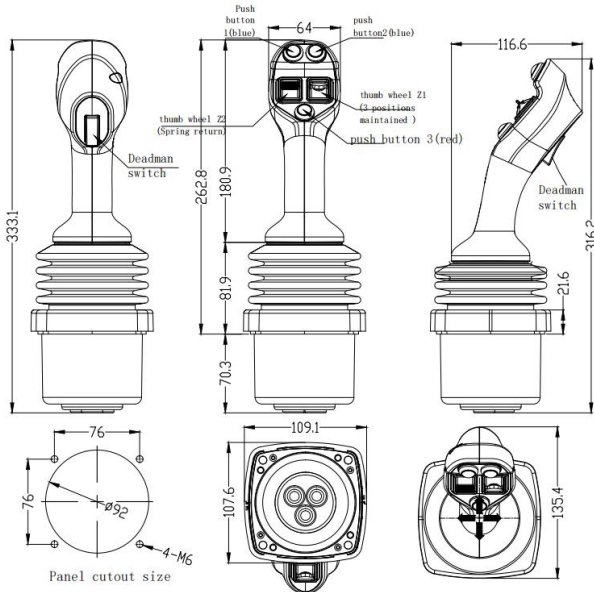


MKF-JS89

Mate Industrial Joystick, Hall effect, multi axis, Panel Mounted



MKF-JS89 is a multi axis Hall-type industrial joystick, instrument panel installation method, stainless steel and aluminum alloy materials, spring automatic return structure, German high-precision Hall-type sensor, full temperature range linear correction, IP65 protection level, smoother operation Feel, ergonomic mechanical design. reliable for long life span usage. This joystick is widely used in TV camera, CCTV, industrial robot, medical equipment, optical instrument, heavy-duty and safety-critical applications.

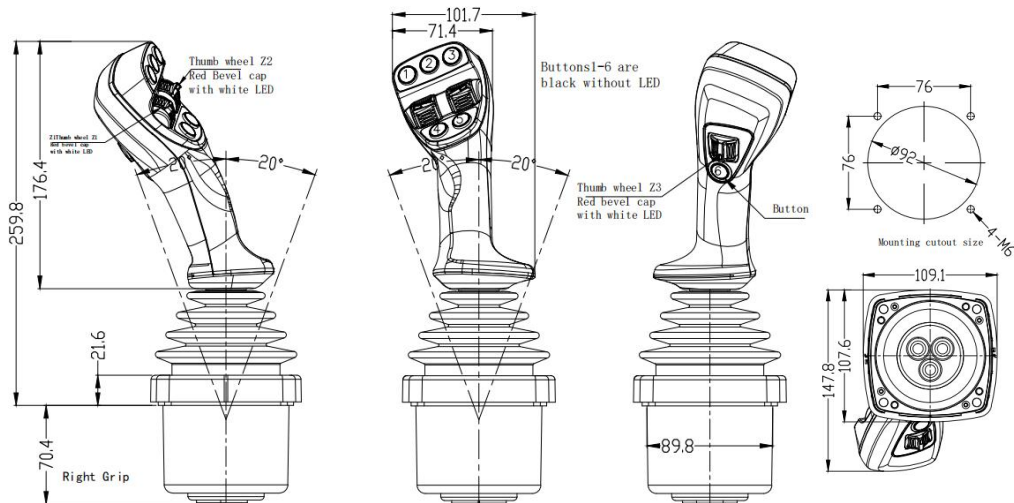


MKF-JS60

Mate Industrial Joystick, Hall effect, multi axis, Panel Mounted



MKF-JS60 is a multi axis Hall-type industrial joystick, instrument panel installation method, stainless steel and aluminum alloy materials, spring automatic return structure, German high-precision Hall-type sensor, full temperature range linear correction, IP67 protection level, smoother operation Feel, ergonomic mechanical design. Reliable for long life span usage. This joystick is widely used for controllable equipment: port machinery, crane, aerial work vehicle, grader, engineering equipment armrest box, electronically controlled cab, etc.

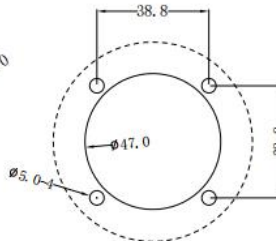
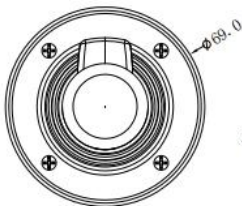
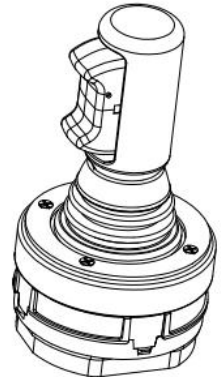
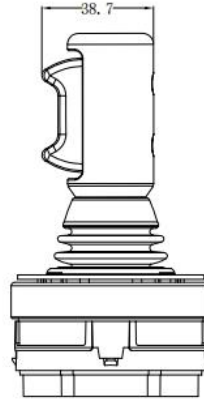
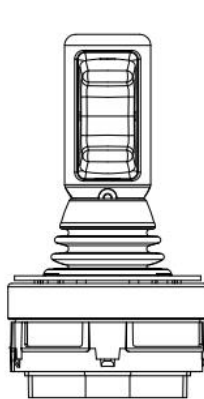
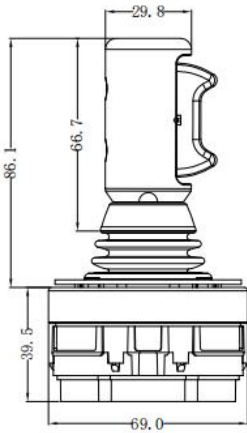


MKF-JS67



MKF-JS67 series multifunctional joystick controller (dedicated to armrest box)

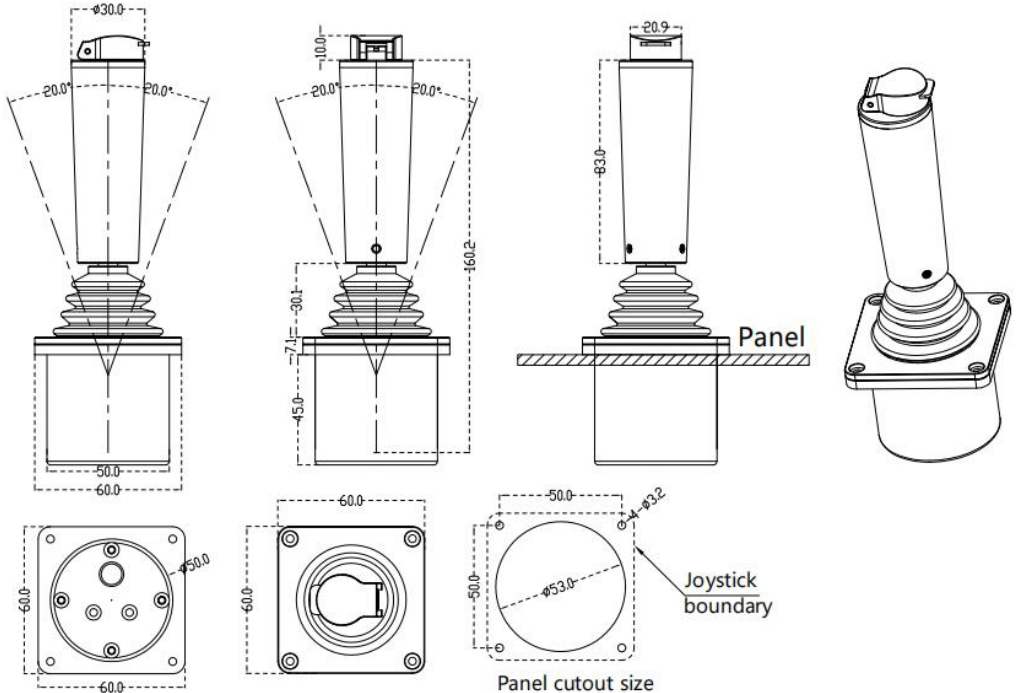
- Base axes: XY axis
- Base operation range: omnidirectional
- Return method: The spring returns to the center
- Base operation angle: $\pm 20^\circ$
- Grip: The thumb wheel is operated by the thumb, Spring return
- Signal output: 0.5-2.5-4.5V proportional linear signal
- Power supply: DC5V or DC9-36V
- Mainly used in landscaping machinery and valve tree machinery products



MKF-JS51



- Hall joystick controller
- Aluminum alloy material, surface anodized; Button strip
- Protective helmet to prevent accidental operation, using high-precision transmission Sensory, with a smooth operating feel.
- 2-axis, spring automatically returns to center position
- High precision Hall sensor with 16 bit accuracy
- Operating angle: ± 20 degrees
- Signal output: CAN or RS232
- Power supply: DC5V
- Protection: IP67 above the panel
- Suitable for high-precision control fields such as instruments and equipment



MKF-JS15

Friction resistance positioning, Dedicated for unmanned boats, anti-salt fog

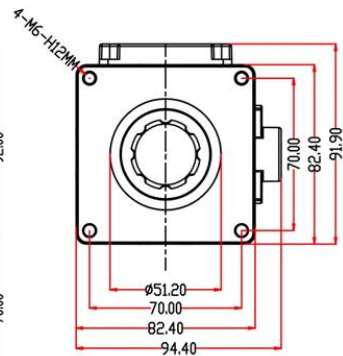
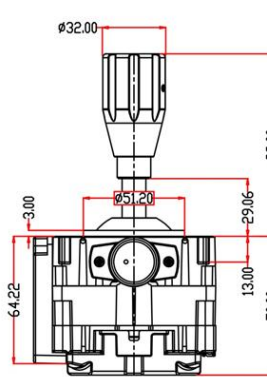
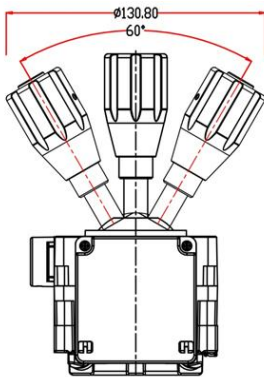


3 axis with button



3 axis without button

- Stainless steel structure, panel IP65 protection, anti-salt spray, sensor and circuit waterproof design;
- 1 axis, 2 axis, 3 axis, friction resistance positioning, the center mechanical gear position of each axis, the gear position feels obviously
- High-precision Hall sensor, linear correction in the whole temperature range, Smooth operation feel
- Multiple signal output options
- Waterproof button design
- Applicable to the control of unmanned ships, unmanned boats, ships, etc.
- Suitable for ship hydraulic control and other fields
- Operation angle: ± 30 degrees
- Signal output: 0.3-4.7V, RS232, RS422, CAN
- Power supply: DC5V/DC12V/DC24V

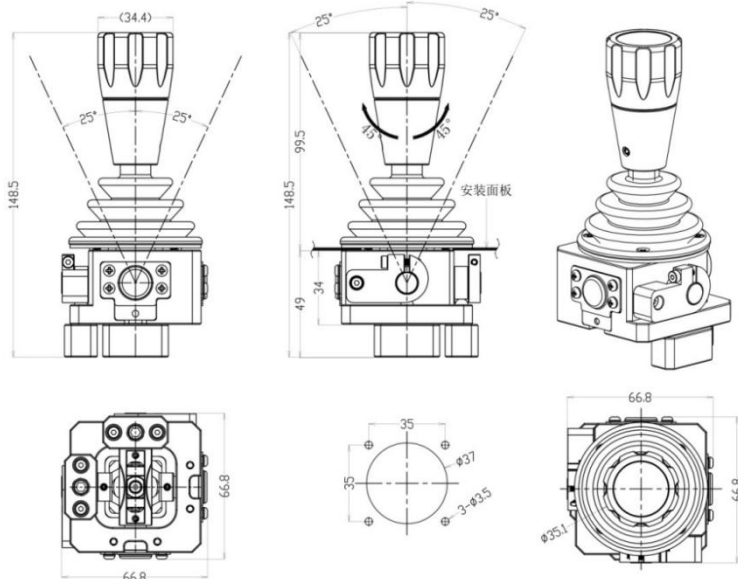


MKF-JS70

Special joystick for unmanned boat, Friction resistance positioning



- 3-axis, friction resistance positioning, smooth operation feel
- The center mechanical gear, the gear feels obvious;
- High precision hall sensor
- Operating angle: ± 30 degrees
- Signal output: 0.3-2.5-4.5V
- Power supply: DC5V
- Protection: IP67 above the panel
- Suitable for control of unmanned ships, unmanned boats, ships, etc.;

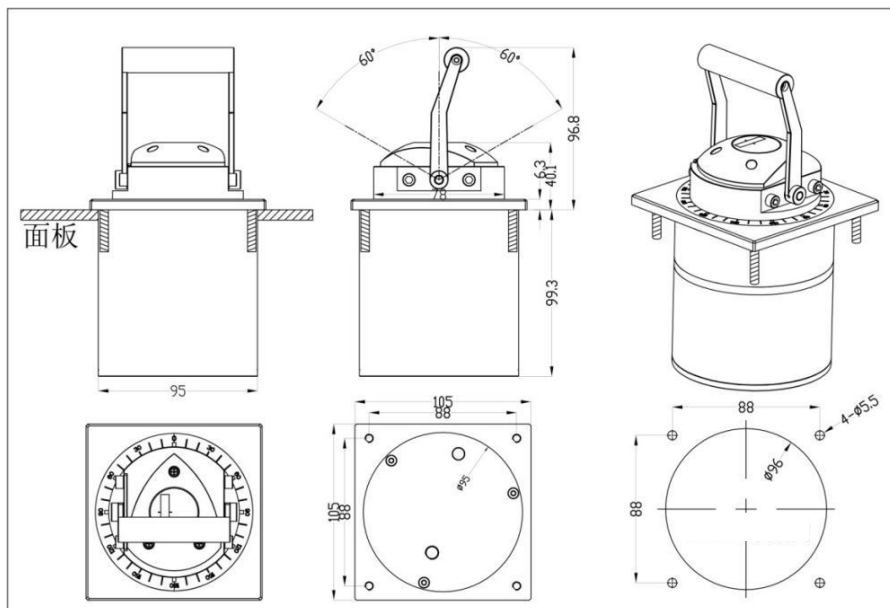


MKF-JS71

Ship azimuth engine controller



- Full-turn propeller control, with propeller angle and speed control functions, suitable for large-scale ship control.
- Multiple signal output: analog voltage signal 0.5-4.5V; analog current signal 4-20mA.
- Horizontal angle: 360 degrees continuous
- Vertical angle: 0-75°/or $\pm 60^\circ$

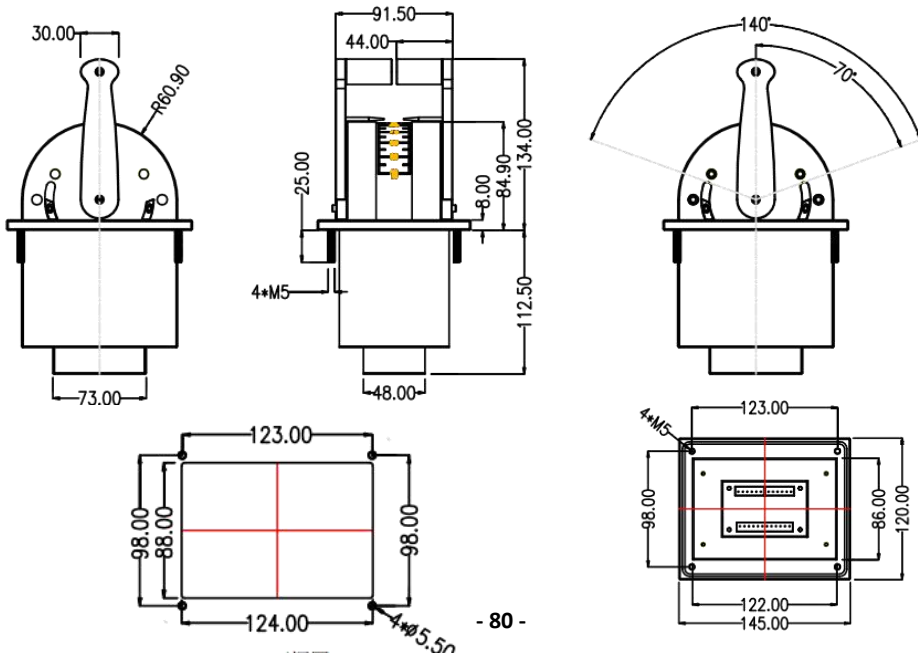


MKF-JS72 Ship azimuth engine controller



MKF-JS72 dual engine throttle controller. Suitable for ship engine throttle control, capable of controlling 2 engines, with throttle control and gear control functions. There are 11 mechanical gears (5 gears forward and 5 gears backward), and the PVC scale can adjust the backlight. Adopting a Hall sensor with linear compensation across the entire temperature range, the left and right signal outputs are completely isolated from the RS485 signal; Linear surface emitting technology with adjustable backlight brightness. Aluminum alloy shell, anodized surface, using nano friction positioning material, with good hand feel.

- Operating angle: 140 ° (± 70 °)
- Gear position: 11th gear (5th forward, 5th reverse, 1st middle)
- Each gear has a graduated feel
- Synchronous control: dual servo stepper motor and electromagnetic clutch mechanism
- Equipped with remote synchronization control function
- Signal output: current 4-20mA+RS485
- Power supply: DC24V (DC10V/DC36V)
- Operating temperature: -40 °C ~ +70 °C
- Protection: IP67 above the panel

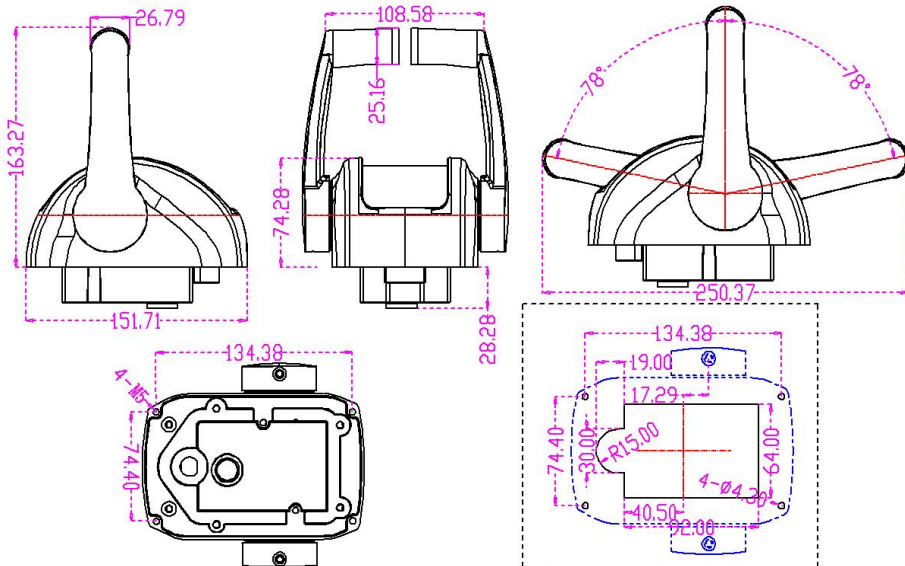


MKF-JS16 Engine controller



MKF-JS16 dual engine throttle controller. Suitable for ship engine throttle control, can control 2 engines, with throttle control and gear control functions. With CAN communication indication, synchronization indication, error indication function. Adopt dual-channel Hall sensor, full temperature range linear compensation, stainless steel shell, waterproof and salt spray design, friction resistance positioning, 3 mechanical gears (DNR).

- Sensor: Double Hall sensor
 - Operation angle: 156 degrees
 - Center gear: 3 gears (DNR)
 - Power supply: DC5V/DC12V/DC24V
 - Operating temperature: $-40^{\circ}\text{C} \sim +70^{\circ}\text{C}$
- Lifespan: more than 5 million times
Signal output: analog voltage 0-5V, CAN, RS485
Protection: IP67

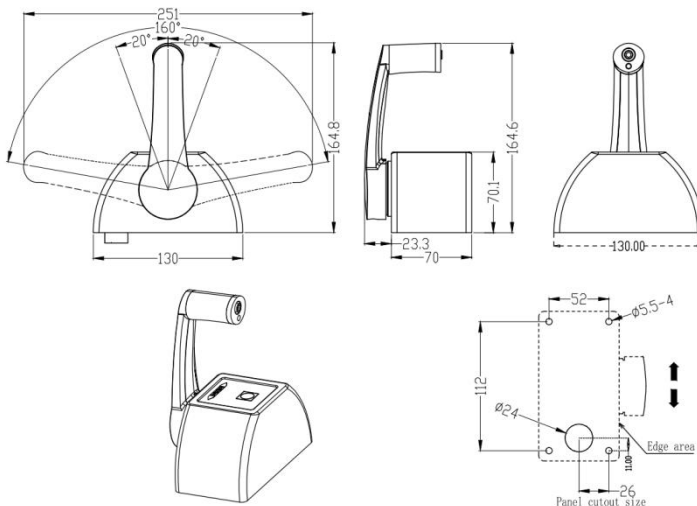


MKF-JS38 Single engine throttle controller

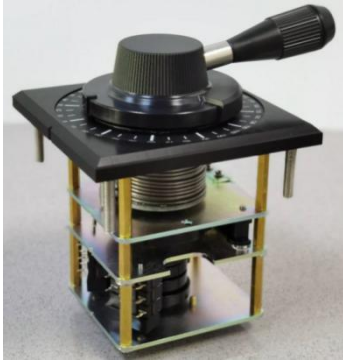


MKF-JS38 single engine throttle controller. Suitable for ship engine throttle control, gear control, etc. There are gear indicator lights and signal indicator lights. It adopts Hall sensor, full temperature range linear compensation, stainless steel shell, waterproof and salt spray design, friction resistance positioning, 3 mechanical gears (DNR).

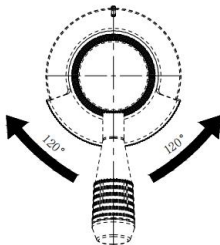
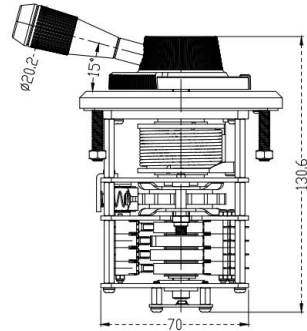
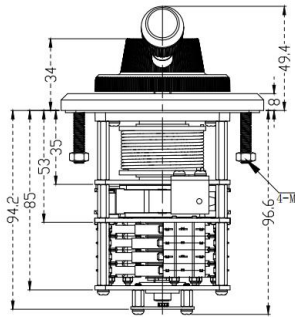
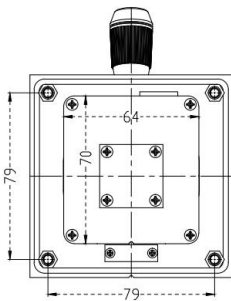
- Sensor: Double Hall sensor
- Operation angle: 156 degrees
- Center gear: 3 gears (DNR)
- Life span: more than 5 million times
- Power supply: DC5V/DC12V/DC24V
- Signal output: analog voltage 0-5V, CAN, RS485, 0-20MA
- Operating temperature: -40°C~+70°C
- Protection: IP67



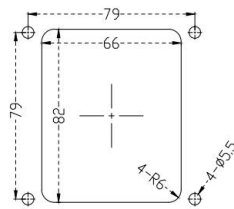
MKF-JS17 Rudder



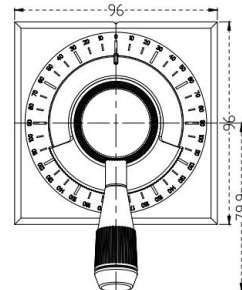
- Signal output: multiple groups of switching signals + voltage signal 0.5-2.5-4.5V
- Positioning: The friction resistance positioning and the spring automatic return to the center position (optional)
- Angle: $\pm 40^\circ$, $\pm 60^\circ$, $\pm 80^\circ$, 100° , 120° or continuous rotation optional
- Hand feeling: gear position feeling (22.5°/gear), smooth damping (medium gear)
- Power supply: DC5V
- Life span: 5 million times
- Operating temperature: $-40^\circ\text{C} \sim +70^\circ\text{C}$



Rotation angle:
 $\pm 40^\circ$ 60° 80° 100° 120°



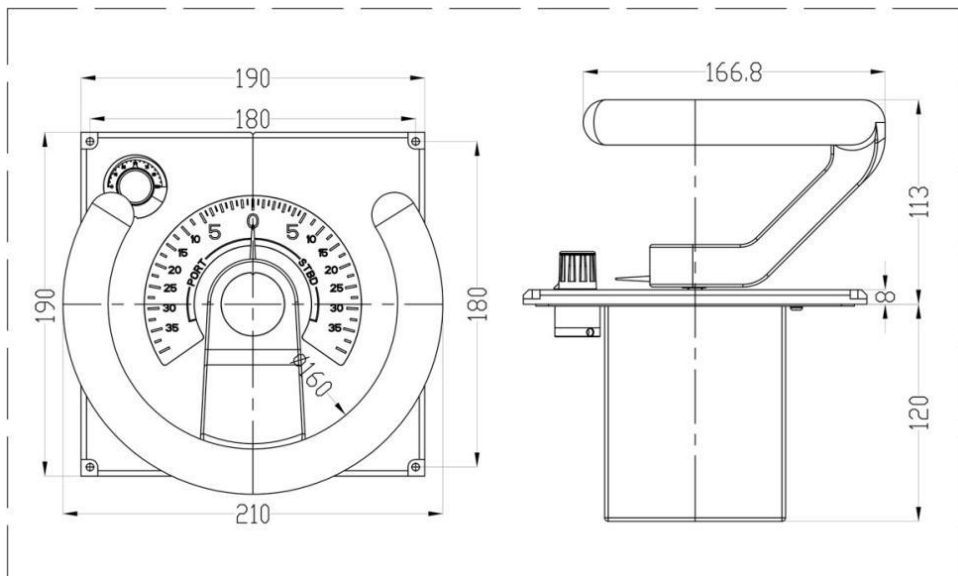
Panel Cutout size



MKF-JS17C Rudder



- Positioning: friction resistance positioning+middle gear feel
- Mechanical angle: $\pm 120^\circ$
- Power supply: DC5V/24V
- Signal output: multiple sets of switch contacts
- Dual cross signal: 4-20mA/CAN
- Backlight: knob adjustment 0-100%
- Lifespan: greater than 5 million times;
- Operating temperature: $-40^\circ\text{C} \sim +70^\circ\text{C}$
- Protection: IP66

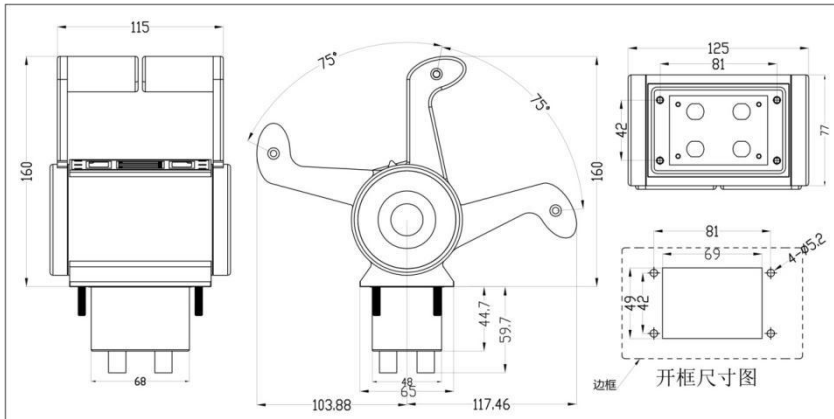


MKF-JS62 Engine throttle controller



This is a dual engine controller/lever. Suitable for throttle control of twin-engine yachts, can control 2 engines, with throttle control, gear control functions. There are 3 mechanical gears DNR, synchronous indication. With Hall sensor, full temperature range linear compensation, 2 engines full electrical isolation technology, bus signal output and engine electronic throttle signal output, waterproof and anti-salt spray treatment, with good operating feel.

- Sensor: Hall sensor
- Operating angle: 150 degrees
- Gear: 3 files (DNR)
- Lifetime: more than 5 million times;
- Signal output: CAN/RS485/diesel engine electronic throttle signal/electric isolation of left and right engine throttle signals
- Power supply: DC24V (10-36V)
- Power consumption: 30mA/@DC24V (no load)
- Operating temperature: -40℃~+70℃
- Protection: IP67

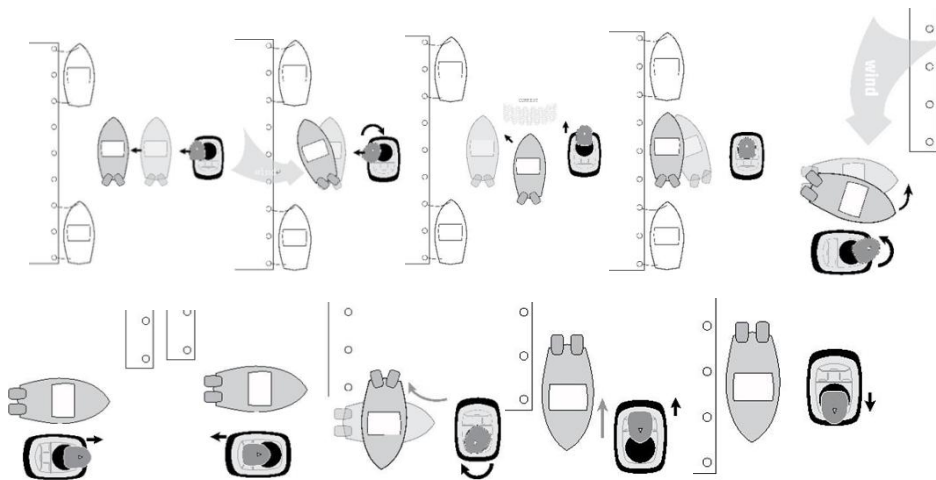


MKF-JS73 Ship 360 degree joystick controller



MKF-JS73 is a single joystick control device that achieves complete and intuitive ship control through a single joystick.

By integrating the two systems together and using advanced control algorithms, the ship's steering system, gear shifting, and throttle (propeller speed) control system can be achieved.

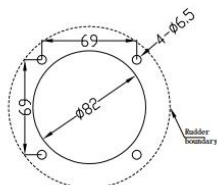
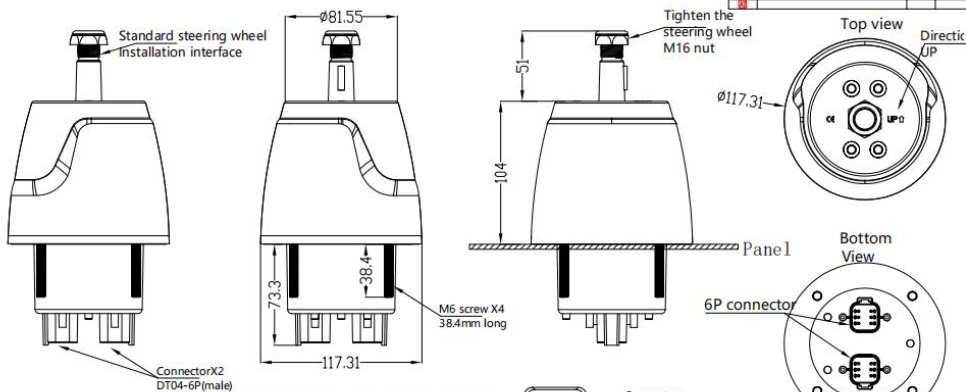


MKF-ESW-01 Electronic power steering



MKF-ESW-01 is an electronic power steering specifically designed for marine environments. The electronic steering seamlessly fits with the dashboard. Suitable for marine or industrial applications.

- Standard steering wheel installation size, can be replaced with steering wheels from different manufacturers' steering wheel.
- Dual redundant, non-contact magnetoresistive rotation sensing input
- Programmable laps and angles
- Adjustable steering resistance with speed variation
- 12VDC or 24VDC power supply automatic detection
- Standard fault-tolerant CAN bus output
- Matching with hydraulic steering pumps can minimize power consumption.



- MKF-ESW-01 high-precision steering rudder controller, CAN bus interface
- Multiple turns and angles can be set arbitrarily, and damping can be set arbitrarily
1. Power supply: DC24V (9-28V)
 2. Maximum current: 2A
 3. Standard working current: 300mA
 4. Signal output: CAN
 5. Angle accuracy: 0.01 degrees
 6. Working temperature: -42 °C ~ +75 °C
 7. Storage temperature: -45 °C ~ +85 °C
 8. Corrosion resistance: 300 hours of salt spray (ASTM B117)
 9. Water ingress protection: IPX7 [IEC 60529]
 10. Random vibration: 0.0284 g ^ 2/Hz [ABYC P-27]
 11. Resonance: 4 G zero peak, 20-2000 Hz [ABYCP-27]
 12. Thermal shock: 100 cycles
 13. Mechanical impact: 50 G,
 14. millisecond half sine shape [ISO 25197]
 15. Weight: 2.0KG

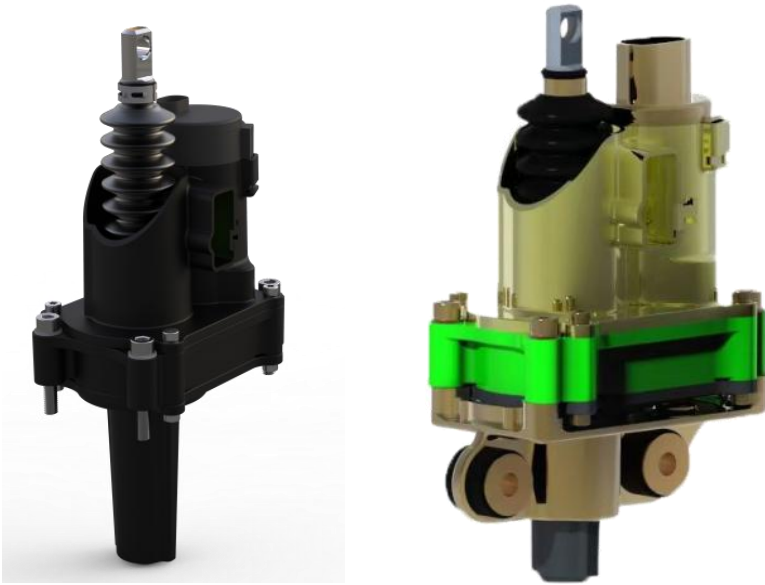


- Connector:
The casing comes with DT04-6P (male),
Pair connector DT04-6S (female)
1. Power supply +24V
 2. CANH
 3. CANL
 4. Power supply - (0V)
 5. Power supply +24V
 6. Power supply - (0V)
- Connector standard DT04-6P
Matched female head DT04-6S
Both connectors have the same function

Product Name: Electronic power steering
Model No.:MKF-ESW-01

Mate Technology Shenzhen Limited				
www.matend.com				
Editor:	1	20231023	Scale:	1:1
Designer:	1	20231023	Phase Marker:	Unit: mm
Auth:	1	20231023		

MKF-SA-M2 Shift actuator M2



- High precision position control
- Capable of achieving gear mechanical control or mechanical throttle
- Power supply: DC24V
- Total stroke: 60mm
- Communication interface: CAN, customizable protocol
- Protection: IP66

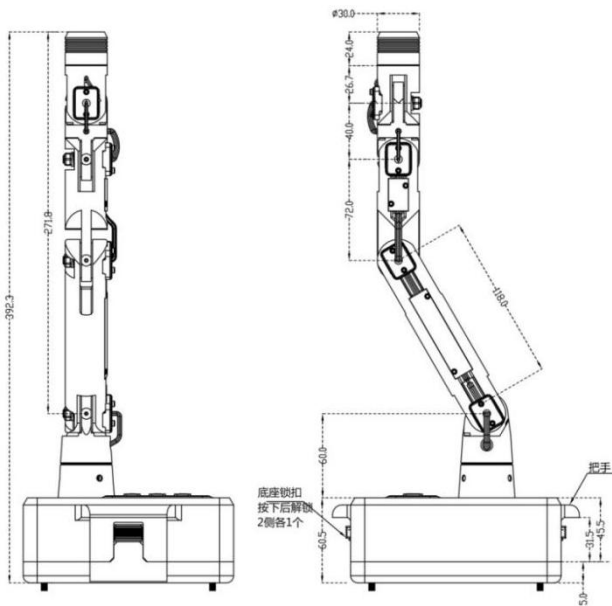
MKF-MJS-56

6-axis robotic arm controller



Simulate an arm with 6 free degrees. It includes six free degrees: shoulder swing, shoulder pitch, elbow pitch, wrist pitch, wrist swing, and wrist rotation; There are three buttons on the base used to control the opening and closing of the gripper, as well as the master-slave tracking enable function.

The operating force of each joint can be adjusted separately, using Hall sensors with 12 bit resolution. Internally integrated with CAN interface and RS232 interface, powered by DC 9-36V.

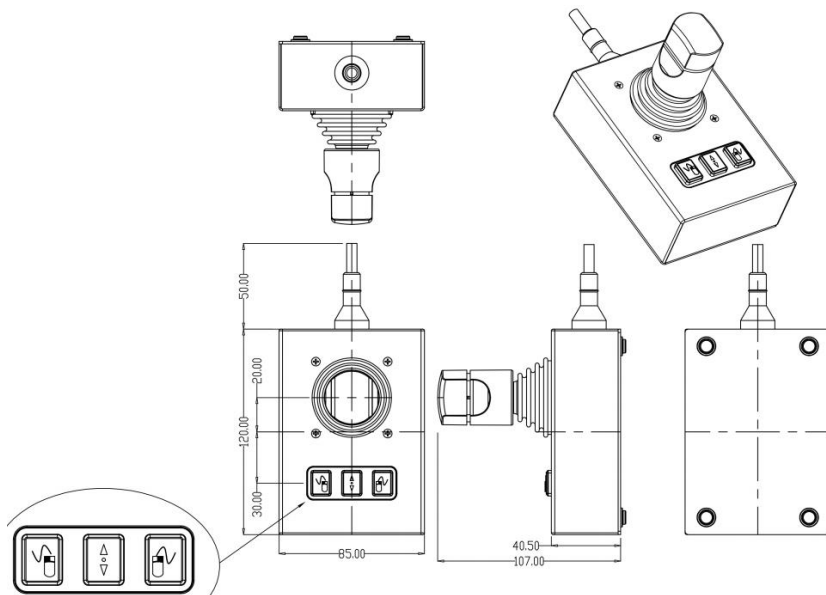


MKF-MJS-85

Mate Industrial Joystick mouse, Hall effect, Two axis, Desk Top Version



MKF-MJS-85 is a Hall effect, desktop joystick mouse, robust design with main materials - aluminum case, engineering plastic. Two axis, with spring automatic return. High-precision Hall sensor, linear correction in the whole temperature range. Smooth operating experiences. Ergonomic mechanical design. With 3 mouse buttons button for left, right clicking and scrolling key in the middle. Top button can be used for left clicking. USB interface, plug and play. Suitable for medical equipment, etc that needs waterproof, rugged and long life span joystick with 3 buttons included.



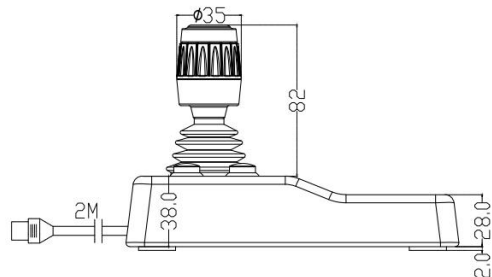
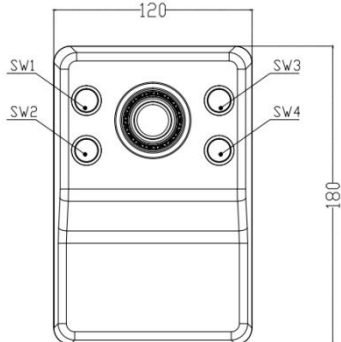
MKF-MJS-52

Mate Industrial Joystick mouse, Hall effect, Three axis, Desk Top Version



The MKF-MJS-52 control box is integrated with a three-axis Hall effect Joystick and 4 button switches. It adopts a high-precision Hall-type sensor. The main materials are aluminum alloy and engineering plastics. The linearity is correct in the whole temperature range. IP65 dynamic waterproof. Smooth operating feel, ergonomic design. USB2.0 output, suitable for industrial equipment, robots, drones, medical equipment, aerospace, ships, radio and television, video surveillance equipment, etc.

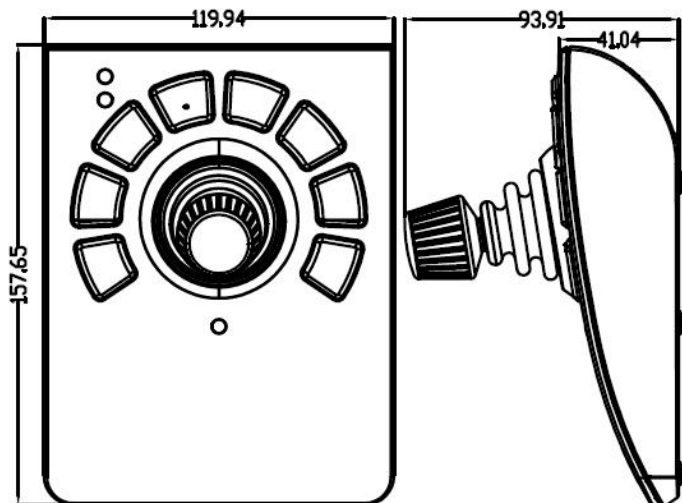
- Input voltage: 5Vdc
- Signal output: USB2.0
- Operating life: 1 million times
- Protection class: IP65
- Working temperature: -20°C - $+60^{\circ}\text{C}$, storage temperature: -30°C - $+70^{\circ}\text{C}$
- Working humidity: $93\pm 3\%RH$
- Installation dimension: Refer to installation dimension drawing



MKF-JS01 Desktop Joystick



- Keys: 8 keys, lifespan of 5 million times
- Indicators: 3 LED indicators
- Interface mode: USB2.0HID, Plug and play
- Other interfaces: RJ45 (RS232+RS485) (Only one interface method can be selected)
- Weight: 0.6kg
- Size: (W)120X(L)157X(H)97
- USB interface products:
- MKF-JS01-USB standard USB joystick, Plug and play
- MKF-JS01-M standard USB, joystick + mouse, Plug and play
- MKF-JS01-L analog voltage interface, 0-5V signal output.



MKF-JS02 Desktop Joystick

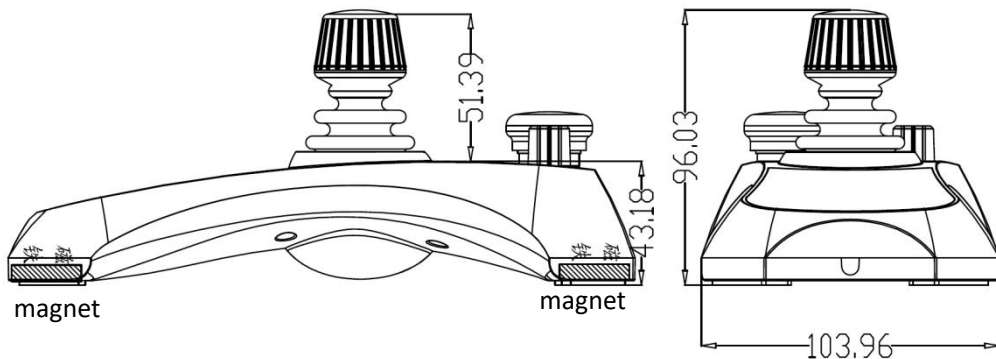
RS232



USB

USB mouse

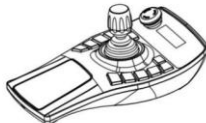
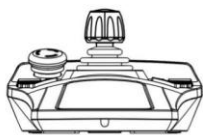
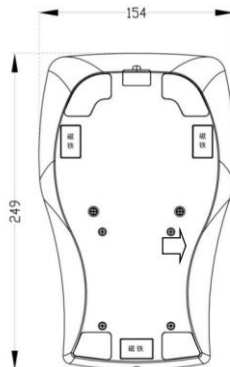
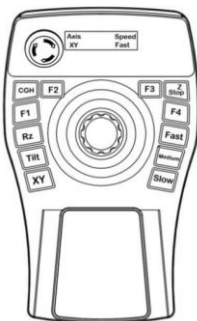
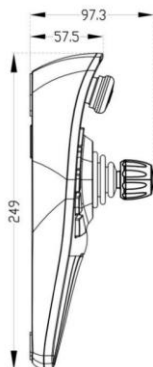
- Three-axis Hall joystick
- Buttons: 15 buttons, emergency button, encoder knob
- Display: 4-digit LED
- Power supply: DC5V or DC12V optional
- Weight: 0.6kg
- Size: (W)220X(L)107X(H)55
- Communication interface: CAN, RS232, RS485, USB
- Accessories: 3M long cable



MKF-JS61 Desktop Joystick



- Ergonomic design
- It has a strong magnetic adsorption function, which can be directly attached to the surface of the device to prevent it from falling and breaking.
- Integrated with a 3-axis Hall type joystick
- With 12 backlighting buttons, layout can be customized
- With one Emergency stop switch
- With one LED display
- Signal output interface: RS232 / CAN
- Power supply: 10-36V
- Factory default communication mode: CAN/250K/30mS timing sending



MKF-RC01

Mate wireless Joystick station for remote control



The joysticks station is suitable for the hoisting and lifting equipment through auxiliary devices and contractors. Special wireless and handiness version designed to be ideal for unsupervised or dangerous / hostile hard working condition. It can be mounted in the compact case, which is also feasible with customized design like optional buttons and variety joysticks.

- Frequency: 470.00Mhz
- 1 x Hall effect joystick, 2 x momentary push buttons, 1 x emergency button, 2 x toggle switch
- Remote control distance: 100M
- Battery: 3.7V, 5000mA
- Frequency: 470Mhz
- Automatic shutdown after 15 minutes of inactivity
- The battery can be connected for about 30 hours
- Power-on method: turn on the emergency stop switch → long press the START button for 8 seconds (bottom side) → release when the sound is heard, then short press
- START key 1 click → automatically start

MKF-AT01

- MKF-AT01 Electric armrest box series products have multiple layouts and can be customized;
- Equipped with 1 TYPE-A phone charging interface
- With dual color backlight button.
- Power supply: DC24V power supply
- Communication interface: CAN
- Working temperature: -40-+85 °C
- Storage temperature: -50-+85 °C



MKF-CT01

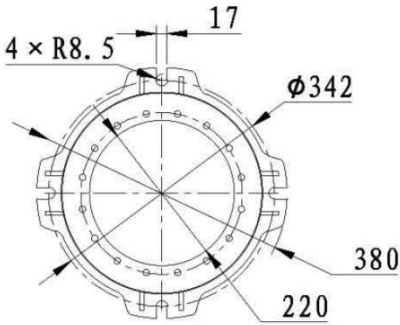
MATE Crane Driver's Seat

MKF-CT01 crane console mainly applies to control circuits of AC50Hz(60Hz), rated voltage up to 380V(440V). It is used to control the start, speed-regulation, commutation and brake of motors contained in crane machinery and similar electric control devices.

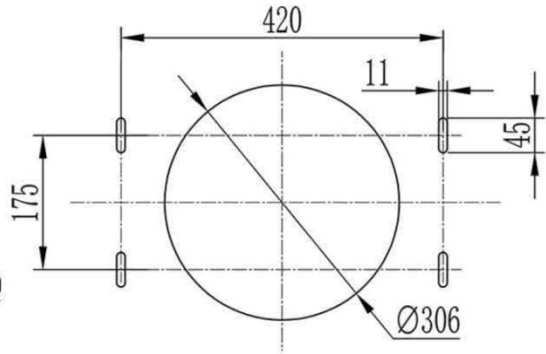
Control box:

The control box is made of steel plate, and has a hinged cover with locking function(standard),which makes it easy to check and maintain.The layout of joystick,indicator and control is configured according to client's specification.

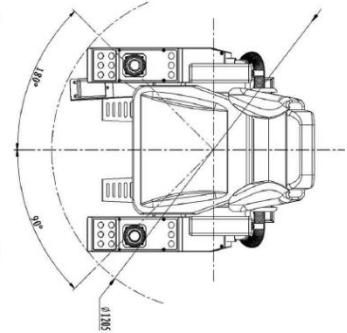
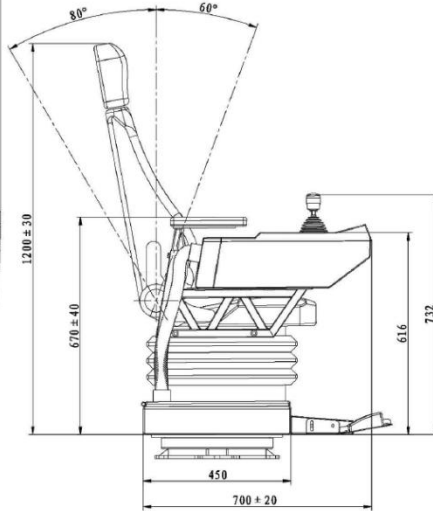
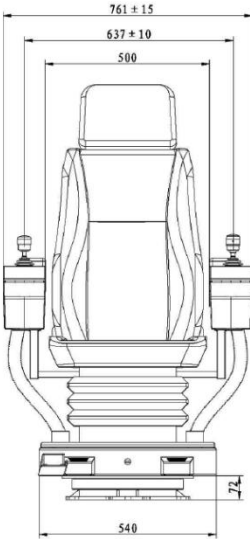




rotating base mounting



fixed base mounting



MKF-CZT01

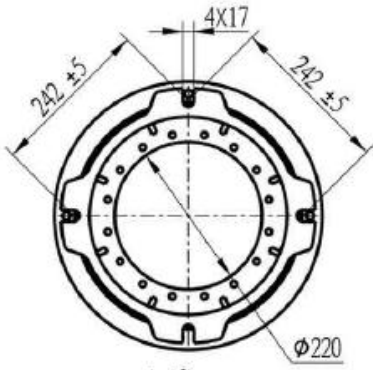
MATE Crane Driver's Seat

MKF-CZT01 crane console mainly applies to control circuits of AC 50Hz(60Hz)rated voltage up to 380V(440V). It is used to control the slarl, speed-regulation, commutation and brake of motors contained in crane machinery andsimilar electric control devices.

control box:

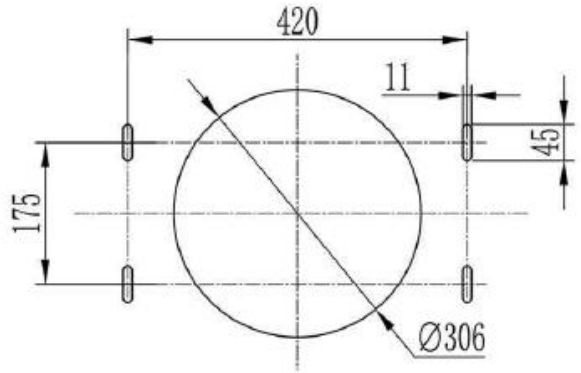
The control box is made of steel plate, and has a hinged cover with locking function(standard),which makes it easy to check and maintain.The layout of joystick, indicator and control is configured according to client's specification.



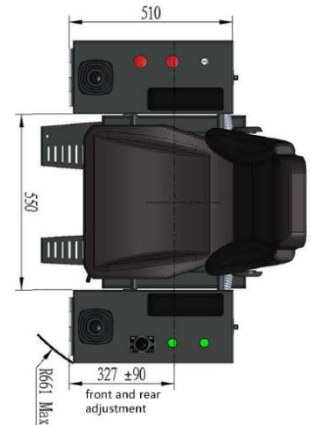
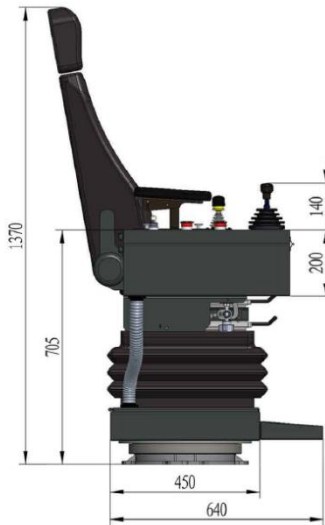
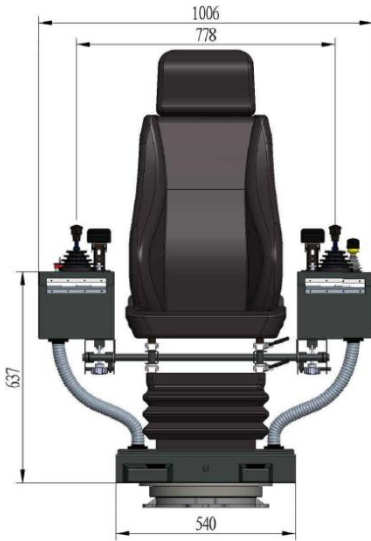


1:10

rotating base mounting



fixed base mounting

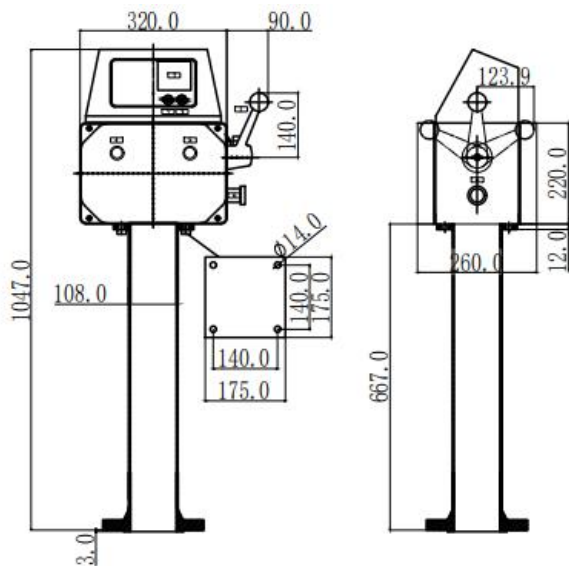


MKF-S-OD-01-WI21-E027

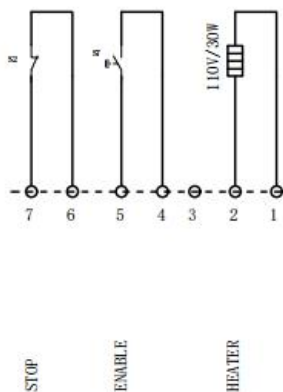
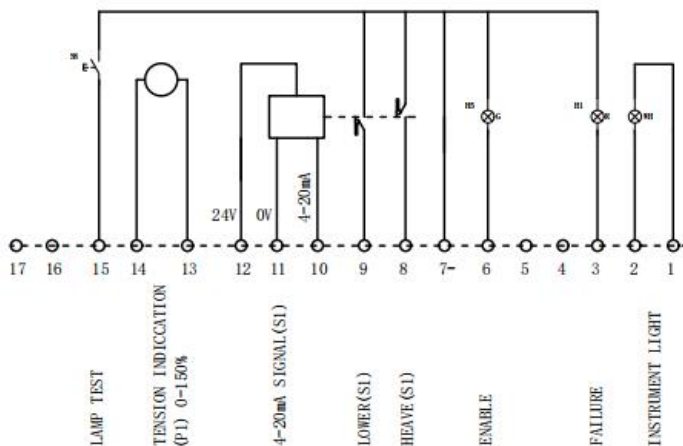
MATE on deck controller

- 1. The aluminum shell material of the main controller; Magnesium aluminum silicon alloy ZL101 spray painted munse11 7.5BG 7/2
- 2. Welding and painting of Q235 steel pipe and Q235-A plate for lower support Munse11 7.5BG 7/2
- 3. Protection level IP56
- 4. Emergency stop button rotation reset, with protective cover
- 5. The rotation angle of the handle is $\pm 60^\circ$, the contact conduction angle is $< \pm 10^\circ$, and the linear output is 4-20mA





1	CONTROL LEVER
2	EMERGE
3	FAILURE
4	LAMP TEST
5	EMERGE
6	EMERGENCY STOP
7	TENSION INDICATION 0-150V / $1-50mA$
No.	Content



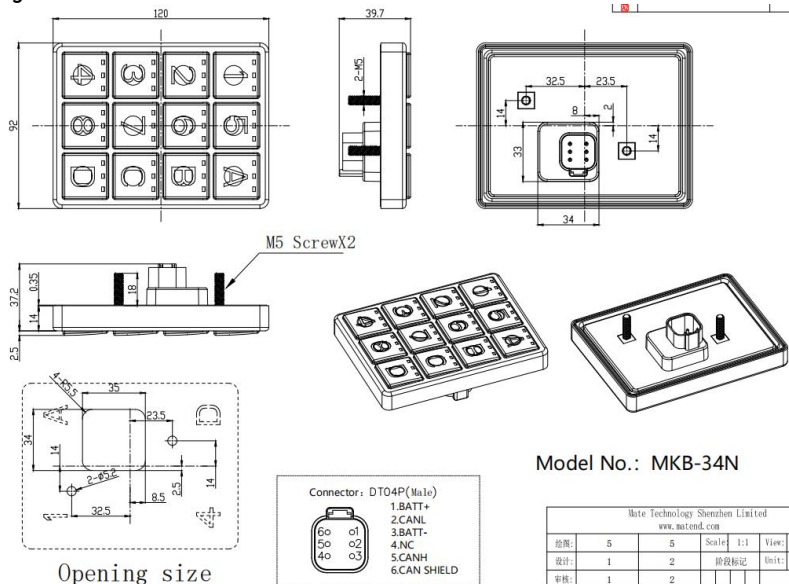
MKB-34N



MKB-34N is a keypad with laser pattern. Each button has an etched pattern and colored backlight, and three adjustable brightness LED indicators provide diagnostic feedback that flashes if a malfunction occurs. The button panel is sealed and protected, and it can be installed inside or outside the driver's cab.

Technical parameters:

- Keys: 12 keys
- Power consumption: less than 2W,
- Backlight: Independent RGB backlight for each button
- adjustable brightness blue LEDs per button
- Icons: Multiple customizable icons
- Power supply: DC9-36V
- Signal output: CAN
- Communication protocol: J1939
- Operating life: greater than 2 million times;
- Working temperature: -40 °C ~+85 °C
- Protection: IP67
- Weight: 175g
- Matching connector: DT04-6S



Model No.: MKB-34N

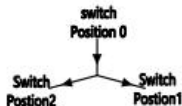
Mate Technology Shenzhen Limited					
www.matend.com					
图号:	5	5	Scale:	1:1	View: 4
设计:	1	2	修改标记:	Unit:	
审核:	1	2			

MKF-S01

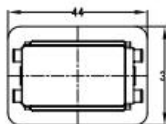
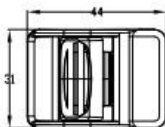
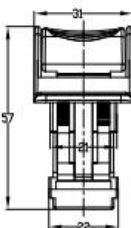
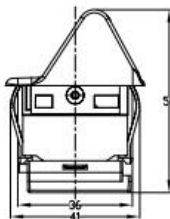
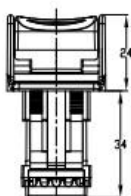
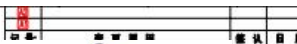
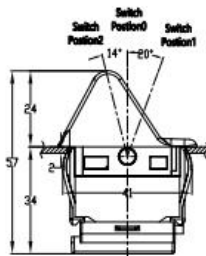
Special power switch for harvesters, used in bulk on John Deere harvesters.

Design of anti misoperation.

Tractor power switch MKF-S01

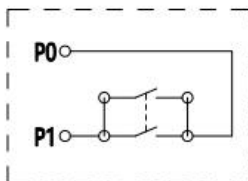


Press down first, then move forward or backward
No.1. Three positions: 012Position lock
No.2. Two positions: 01or02 position lock

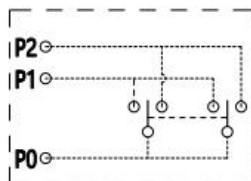


Cutout size from up to bottom

Model No.: MKF-S01
X=2(2 positions)/3(3Positions)



Schematic diagram for 2 positions



Schematic diagram for 3 positions

Electrical technical parameters

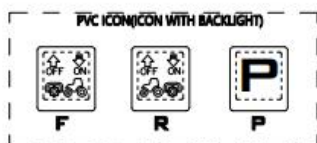
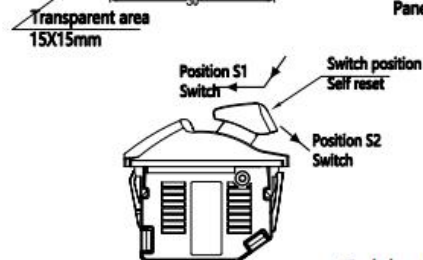
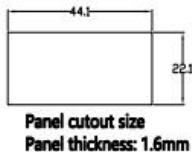
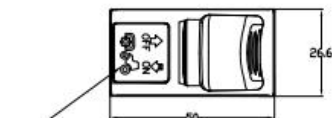
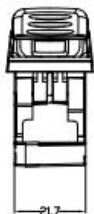
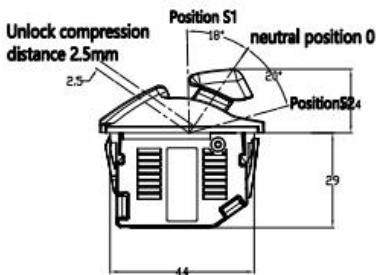
1. Maximum voltage: 48V
2. Switch contact: 5A
3. Working temperature: -40+85 degrees Celsius
4. Protection level: IP67
5. Lead length: 300mm

Model No.: MKF-S01

MATE Technology Shenzhen Limited www.matend.com			
Draw:	1	2	Scale: 1:1 View:

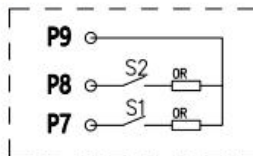
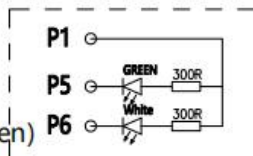
MKF-S02

Special power switch for tractors



Cable definition:

- P1 +5V(Red)
- P5 LED GREEN(Green)
- P6 LED White(White)
- P7 ON(Yellow)
- P8 OFF(Grey)
- P9 COM(Black)



Model No: MKF-S02
X=PVC ICON(F/R/P)
Y=Connector

Electrical technical parameters

1. Maximum voltage: 36V
2. Switch contact: MAX 0.3A
3. Backlight power supply: 5 ± 0.5V
4. Working temperature: -40~+85 degrees Celsius
5. Protection level: IP67
6. Lead length: 300mm

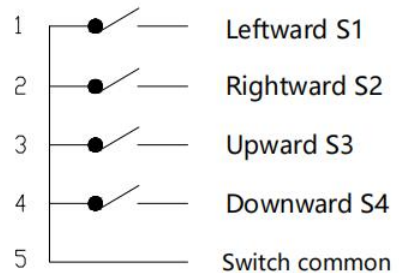
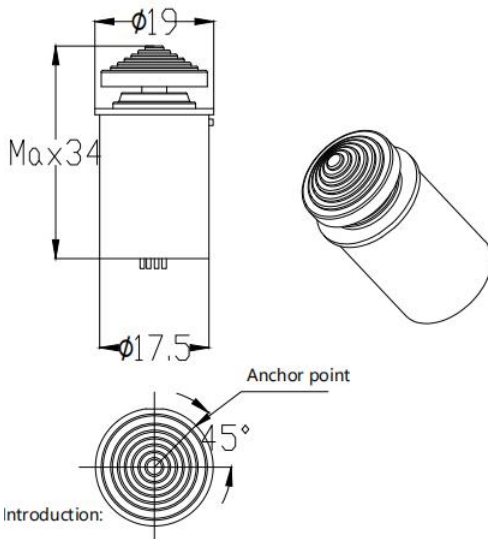
Mate Technology Shenzhen Limited www.matend.com					
Draw:	1	2	Scale:	1:1	View:
Design:	1	2	Stage:		Unit: mm
Audit:	1	2			

MKF-S03



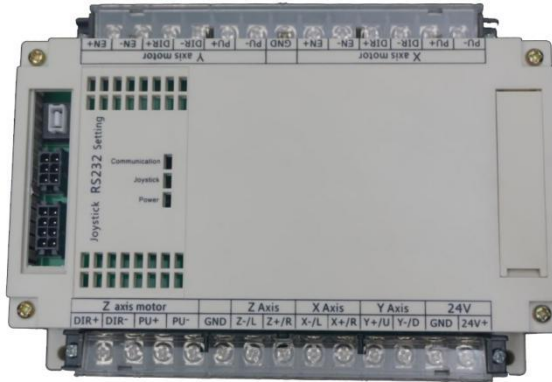
The body of this product is made of high-quality aluminum alloy material and waterproof micro switches. Fingers can be pushed in all four directions to achieve switch signal output, with good hand feel and long service life. It is suitable for configuring on panels of numerous industrial control devices to achieve corresponding functions

- The external dimensions are shown in the above figure; Unit: millimeters;
- Main component materials: aluminum alloy (baked black paint);
- Four way switch, operating force 0-5N, spring self resetting; 1.4 Weight: approximately 20g;
- Mechanical lifespan: 500,000 cycles.
- Self resetting microswitch, 50mA@12Vdc ;
- Electrical parameters: S1-S4: Normally open, without self-locking
- Working temperature: -40 °C~+70 °C
- Storage temperature: -45 °C to+75 °C



MKF-3-PLC

Mate Wiring diagram of Joystick servo motor control panel



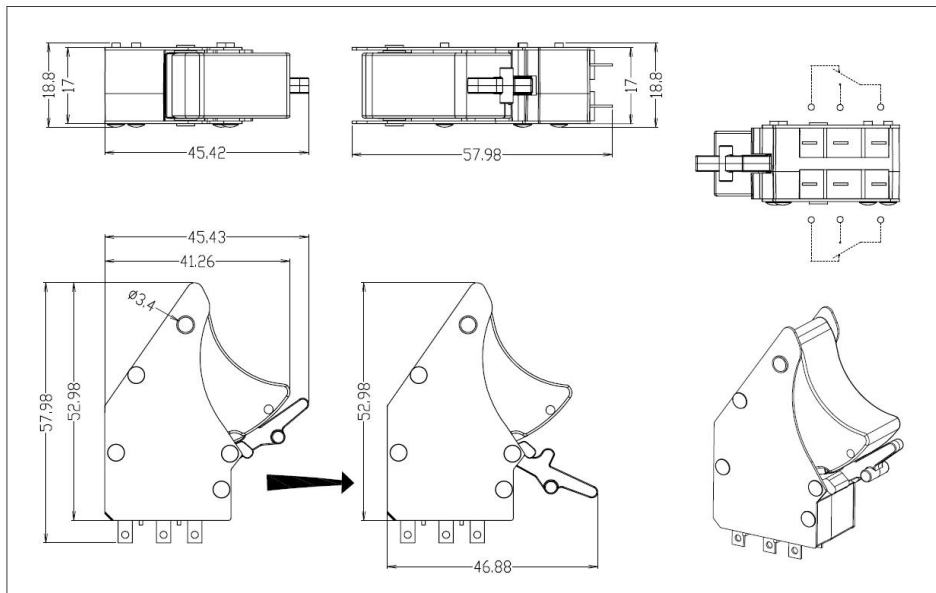
- Can control stepping motor,servo motor
- 3 axis independent control, can control 3 motors at the same time, each axis independent control
- Control the nonlinear speed curve, with accurate control and high speed control performance
- Independent S-shaped acceleration and deceleration control for each axis
- Software inertia configuration with good control
- Each axis independent limit switch (normal open, closed limit), support electronic switch
- Support master computer control(customization,software support required)
- Differential signal output, pulse+ direction

Joystick	3 axes, Hall effect
Control the number of motors	3 motors , simultaneous control, each axis is independent
Motors	Servo motor or stepping motor
Output frequency	0-10KHZ/axis
Output interface	Differential signal output
Control mode	Location mode(Pulse+direction, differential signal)
Power supply	DC8V~DC28V /400MA
Limit switch	Each axis 2pcs (normal open)

Trigger switch RS-T1



- There are 2 gears and consists of 2 micro switches. This product can replace similar foreign products, adopting fully sealed waterproof switches, advanced mechanical structure, and super-position feel.
- Gear position: 2nd gear (spring automatic return)
- Safety lock: with safety lock function (optional function)
- Travel: first gear angle: 13 degrees (stroke 6mm), second gear angle: 7 degrees (stroke 3mm)
- Working force: 10N for the first gear, 25N for the second gear;
- Contact current: 30V/1A;
- Life: more than 1 million times
- Working temperature: $-40^{\circ}\text{C} \sim +75^{\circ}\text{C}$
- Test: Vibration 10-500hz/10g, acceleration 50g
- Protection: electrical ICE IP67

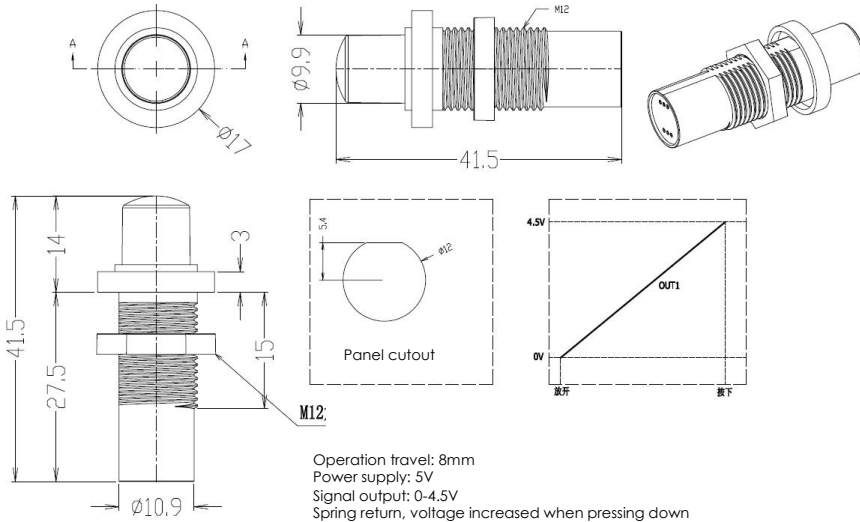


Hall linear button PB-12



PB-12 series Hall linear buttons. The spring automatically returns; linear voltage signal output, 0V when the button is released, 4.5V when it is pressed to the end, linear signal output. Aluminum alloy housing material, imported from Germany Hall sensor, full temperature range linear compensation, multi-point linearity correction, moving parts and sensor non-contact, long life.

- Returning method: spring automatic return
- Mechanical stroke: 8mm
- Power supply: DC5-7V
- Working current: 12MA
- Signal output: analog voltage 0~4.5V (other voltage ranges can be customized)
- Life span: more than 5 million times
- Operating temperature: -40℃~+70℃
- Protection level: IP54 protection



Buttons and accessories

Cutout diameter: 12MM;

IP rate: IP67;

Lifespan: 1 million

contact capacity: 2A/DC24V

Color: Red, green, yellow, blue, black



Push-button cover (Cutout diameter: 12mm)

Material: Stainless steel 316



Buttons and accessories



Icon colour: translucent

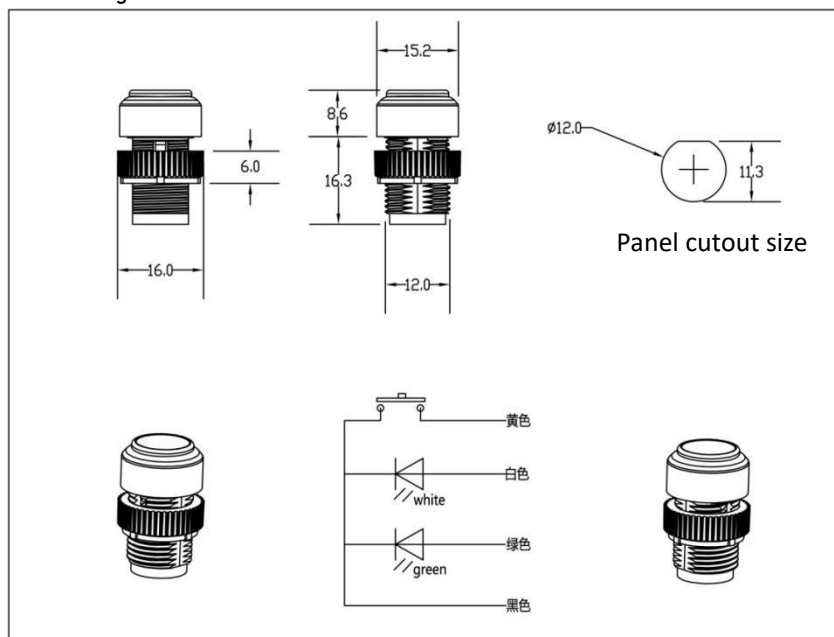
10	19	20	21	22	23	25	26	27
29	30	31	32	35	36	38	40	41
42	44	48	49	50	54	55	56	

Icon colour: black

06	07	08	09	11	12

Additional versions are available on request. The push button caps can optionally be printed with symbols.

- With backlight, a variety of translucent icons
- Life span: more than 3 million times
- Mechanical stroke: 3mm
- Contact capacity: Max300mA@36V
- LED power supply: 3V/10mA
- Protection: IP67
- Temperature: -40-+85 degrees
- Mounting hole M12 with nut

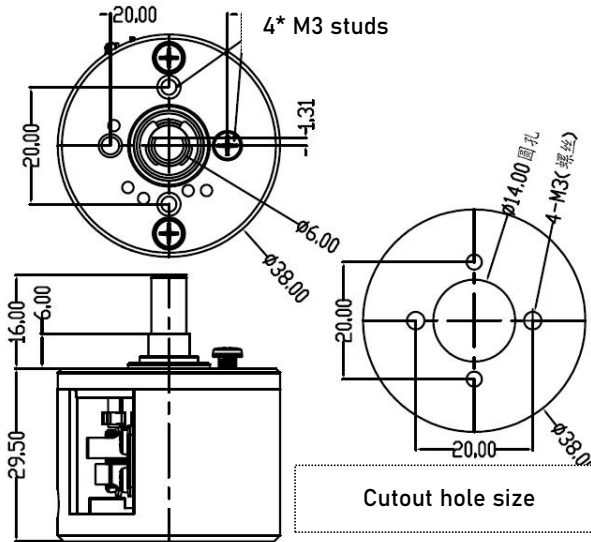


Hall knob 1

Suitable for military industry, aviation, simulator



- Sensor: Hall sensor
- Positioning: friction resistance positioning (standard configuration) 0-320°
- Spring automatic return (optional) $\pm 36^\circ$
- Angle: 320° standard, (360° continuous optional)
- Hand feeling: scale hand feeling, smooth damping, adjustable strength
- Power supply: DC5V
- Signal output: analog voltage 0-5V
- Life span: 5 million times;
- Material: Aluminum alloy
- Operating temperature: $-40^\circ\text{C} \sim +70^\circ\text{C}$

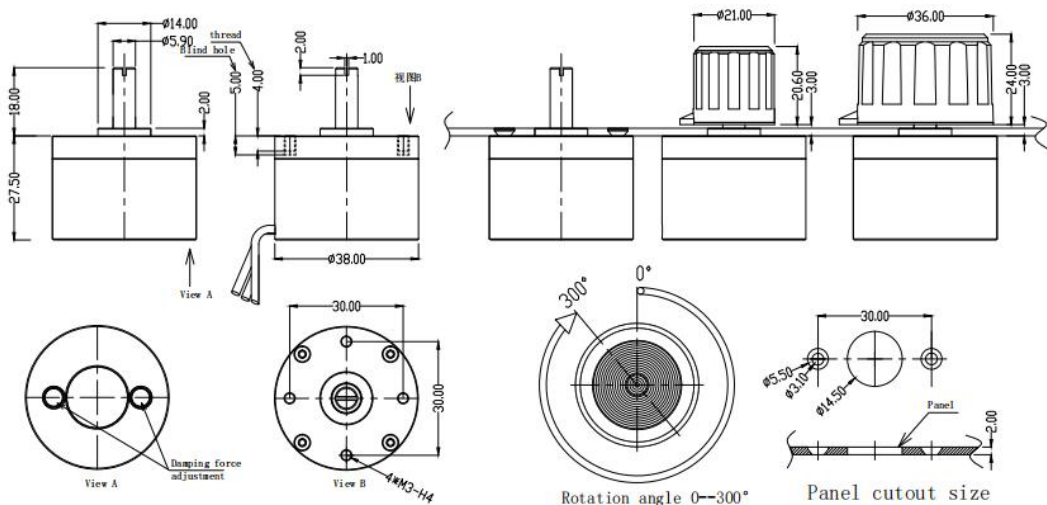


Hall knob 2

Suitable for military industry, aviation, simulator



- Material: aluminum alloy + stainless steel;
- Structure: adjustable friction hold /Smooth/medium feel optional
- Rotation angle: 300°
- Sensor: Hall sensor
- Input voltage: DC5±0.5V
- Working current: 10mA@5V
- Output signal: 0.5--4.5V linear proportional signal
- Mechanical life: more than 10 million times
- Protection class: IP67
- Working temperature: -40 ~ +70°C
- Storage temperature: -50 ~ +80°C



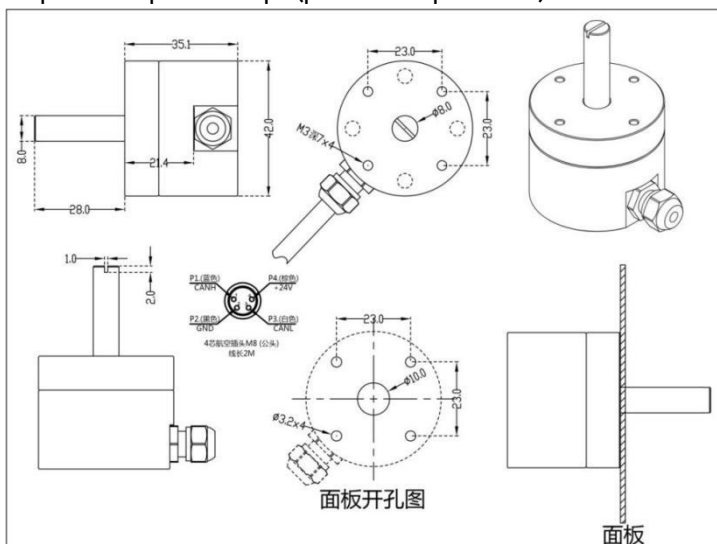
MKF-03-KNB Hall knob

CAN BUS absolute angle sensor



MKF-03-KNB is an absolute angle sensor specifically designed for the marine environment. CAN BUS signal output. Stainless steel 316 material, fully waterproof design, suitable for precise

- Stainless steel 316 material, waterproof design
- Protection: IP67
- Flammability level: V0 [UL-94] - Connector tension
- Resistance: 60 lbf [ISO 10133]
- Using non-contact magneto resistive sensors
- Measurement method: absolute value rotation angle measurement
- Measurement range: 360 degree continuous rotation
- Measurement accuracy: 0.01 degrees
- Countable laps: -128 laps -+127 laps (power off laps clear 0)

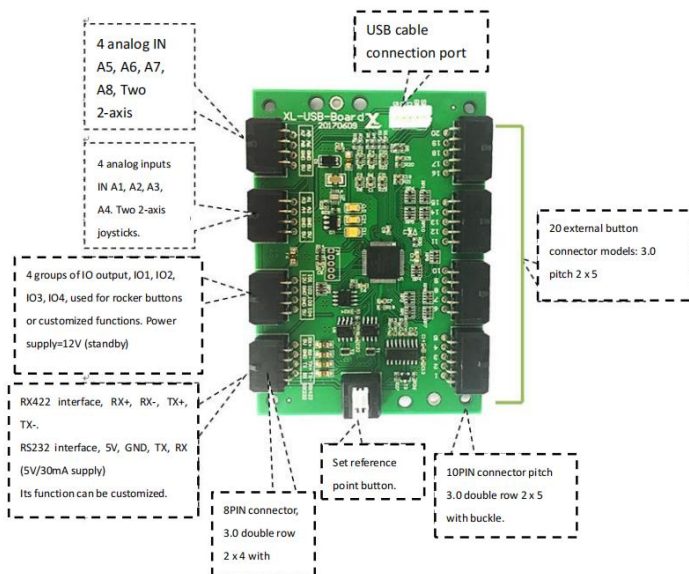


MKF-U107-EB USB Emulator board



Emulator board, USB interface, driver-free, can be recognized as a joystick in the computer, support Microsoft operating system, Linux operating system. It is suitable for simulator console, ground station, man-machine input panel interface, etc.

- Analog input (joystick): 8-axis, 10-bit precision, (0-5V signal input)
- IO input (button): 20 external buttons
- Programmable IO (indicator output): 4 output ports (for LED indicator)
- Communication interface: USB2.0, RS232, RX422 or RS485
- USB driver: USB HID protocol, no driver, only supports "joystick, mouse, keyboard" and combination mode
- Dimensions: (W)100X(L)70X(H)12
- Positioning hole size: (W)90X(L)60, through hole $\varnothing 3.0\text{mm} \times 4$



CAN Emulator board



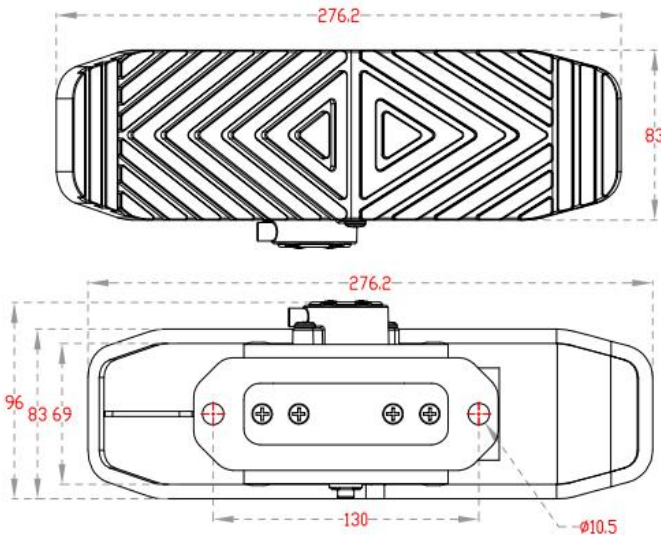
CAN communication acquisition board, CAN interface, CAN2.0B protocol standard, supports standard frame ID and extended frame ID, user can modify ID, ID standard of CIA J1939 and CAN OPEN protocol. Supports 8 analog inputs, 20 buttons, 3 indicator lights, 1 CAN interface, and 1 RS232 interface. A control panel suitable for CNA communications.

- Analog input: 8-channel 0-5V signal input, 12-bit precision
- IO input: 20 (external button or switch)
- Indicator output: 1 power light, 1 function indicator, 2 programmable LED indicators
- Communication interface: CAN2.0 (J1939) and RS232
- Dimensions: (W)100X(L)70X(H)12
- Positioning hole size: (W)90X(L)60, through hole \varnothing 3.0mmX4
- CAN parameters can be set (CAN communication parameters can be set through the RS232 interface)
- Support standard frame ID, extended frame ID and remote frame

MKF-AP-01 Foot pedal



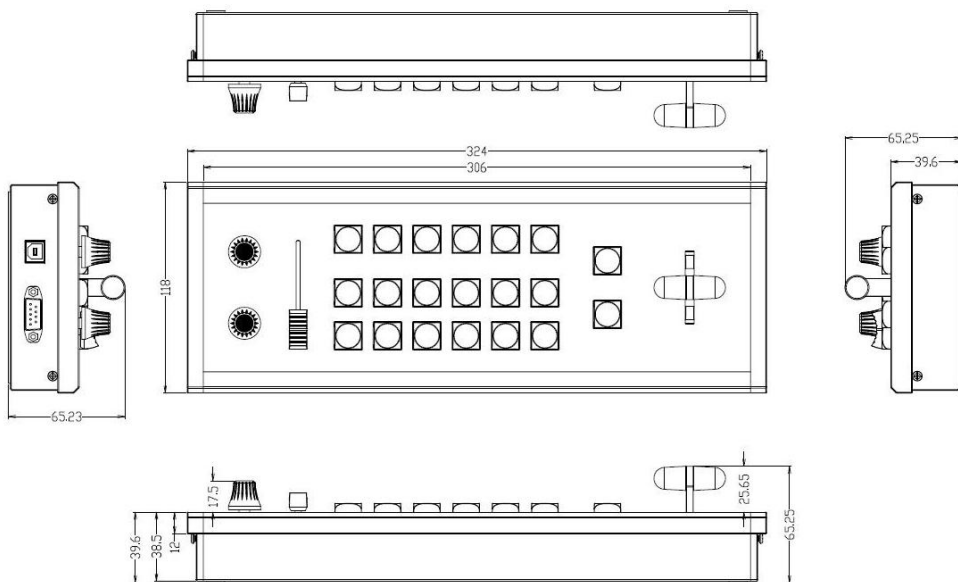
- Tracked vehicle accelerator pedal
- Two-way accelerator pedal
- Spring return
- Mechanical angle: ± 15 degrees
- Power supply: $DC5\pm 0.5V$
- Signal output: dual interleaved signal output 0.5-2.5-4.5V (Center 2.5V)
- Power supply: 32mA@5V
- IP rate: IP66
- Cable length: 30CM Cable with DEUTSCH Connector DTM06-6P



MKF-MJS-20



- USB Midi protocol, support broadcast software such as vMix, support windows, macOS operating system
- Support RS232 interface communication, support RS422 camera control
- Aluminum alloy shell, brushed panel
- 6 channels, 20 color backlight keys, the brightness of the key backlight can be adjusted
- Hall sensor push rod T-BAR, 15-level LED progress indicator
- RS232 serial port tally signal output (for connecting wireless tally transmitter)
- Dimensions: 325X118X40mm (height does not include buttons and T-BAR, the maximum height above the panel is 25mm)

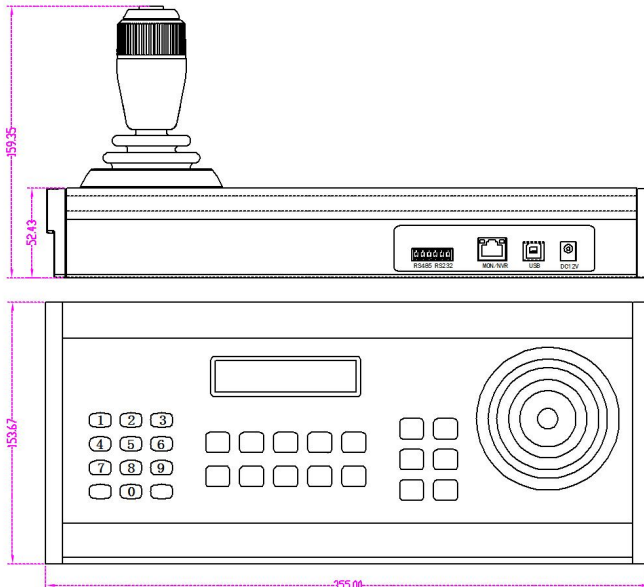


MKF-MJS-28



Aluminum alloy shell, 3-axis rugged joystick, 28 bi-color backlit buttons, suitable for camera remote control, video editing, education recording, video conference system, etc. Support VISCA, POLYCOM, CISCO, CANON, Panasonic, PELCOD, PELCO-P and other protocols; Baud rate: 1200, 2400, 4800, 9600, 19200, 64-256 channel camera control, support mixed use of different protocols, keyboard stores 64 preset positions per channel; supports preset position cruise function.

- Joystick: 3-axis photoelectric joystick
- Display: 2 lines x 20 characters, blue backlight;
- Product size: 355(L) ×150(W) ×155(H)mm
- Weight: 1.47kg (w/o Power supply)
- Operating temperature: -20°C - 70°C
- Relative Humidity: 30% - 90% (w/o condensation)
- Power adapter: AC100-240V-12VDC/500mA
- Power: 2.7 W (not loaded line)
- Communication interface: RJ45/RS485(RS422)/ RS232/USB



MKF-MJS-30



MKF-MJS-30A

3-axis Hall-type joystick, 30 RGB full-color backlit buttons, 2 knobs, 2.4-inch color LCD screen, suitable for camera remote control, video editing, education recording, video conference system, etc. Support VISCA, POLYCOM, CISCO, PANASONIC, PELCOD, PELCO-P and other protocols; support central control forwarding function (central control and keyboard control the camera at the same time), support USB HID protocol, plug and play.



MKF-MJS-30B

- Joystick: 3-axis Hall joystick
- Keys: 30 RGB full-color backlit buttons
- Knob: 2 knobs, 15-level LED progress indicator
- Display: 2.4-inch color LCD screen;
- Operating temperature: -20°C - 70°C
- Power adapter: AC100-240V-12VDC/500mA
- Communication interface: RJ45/RS485(RS422)/ RS232/USB

MKF-MJS-40



MKF-MJS-40A

MKF-MJS-40 video switcher is suitable for audio and video editing and live broadcast system, recording and broadcasting system.USB Midi protocol, support broadcast software such as vMix, support windows, macOS operating systems, support RS232 interface communication, support RS422 camera control TALLY interface. Provide free OEM service.



MKF-MJS-40B

- T-BAR Hall single-axis push rod (15-level progress indicator)
- 42 full-color buttons, each button has an independent RGB full-color backlight (software color matching)
- 2 knobs (encoder, with push-down switch), 15-level LED indication
- External interface: 1 RS232 (DB9 pin) communication port, 1 RS422 communication port,
- USB (plug & play) 1, RJ45 (spare) TALLY interface: TALLY (DB25 pin)
- Power supply: DC12V, there is a power switch at the rear
- Dimensions: 164 x 354 x 51mm (excluding rocker and knob size)

MKF-MJS-44



MKF-MJS-44 video switcher is suitable for audio and video editing and live broadcast system, recording and broadcasting system.

USB Midi protocol, support broadcast software such as vMix, support windows, macOS operating system, support RS232 interface communication, support RS422 camera control



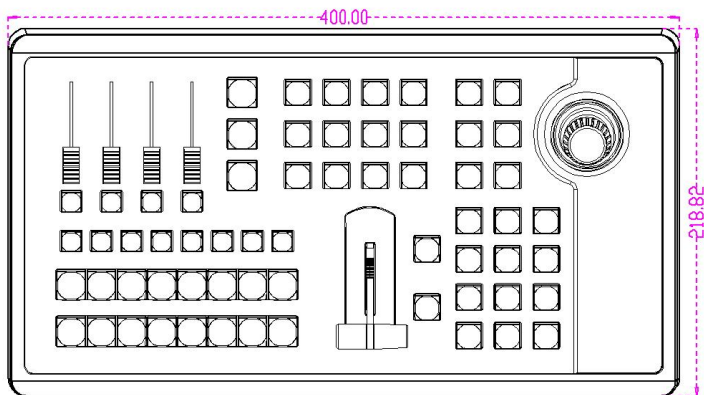
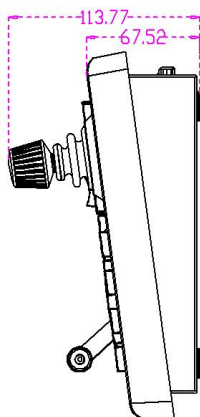
- USB Midi protocol, support broadcast software such as vMix, support windows, macOS operating system
- Support RS232 interface communication, support RS422 camera control
- T-BAR Hall single-axis push rod (15-level progress indicator)
- 44 full-color buttons, each button has an independent RGB full-color backlight (software color matching)
- 11 knob potentiometer
- 3-axis Hall joystick
- External interface: 1 RS232 (DB9 pin) communication port, 1 RS422 communication port,
- USB (drive-free) 1, RJ45 (spare) TALLY interface: TALLY (DB25 pin)
- Power supply: DC12V, there is a power switch at the rear;
- Dimensions: 164 x 354 x 51mm (excluding rocker and knob size)

MKF-MJS-63



The video switcher is suitable for audio and video editing and live broadcast systems, recording and broadcasting systems. USB Hid, Midi protocol, support broadcast software such as vMix, support windows, macOS operating system, support RS232 interface communication, support RS422 camera control.

- Joystick: Hall type three-axis joystick
- T-type fader: Hall type T-type video fader, LED progress indicator
- Keys: 63 imported bi-color buttons
- Volume adjustment: 4-way audio mediation
- Power supply: DC12V/500Ma
- Communication interface: USBX1, RS232X1, RS422X1
- Static weight: 3.0KG
- Gross weight: 4.35KG
- Product size: 400X220X114mm
- Outer box size: 47x28x20cm





MATE TECHNOLOGY SHENZHEN LIMITED

MADE BY PROFESSIONAL

ADDRESS: 411, Bld. 1A, Zhida Industrial Park, Longgang District, Shenzhen, Guangdong Province, P.R China

Zip code: 518000

TEL/FAX: 86-755-8939 8907

EMAIL: info@matend.com

WEB: www.matend.com