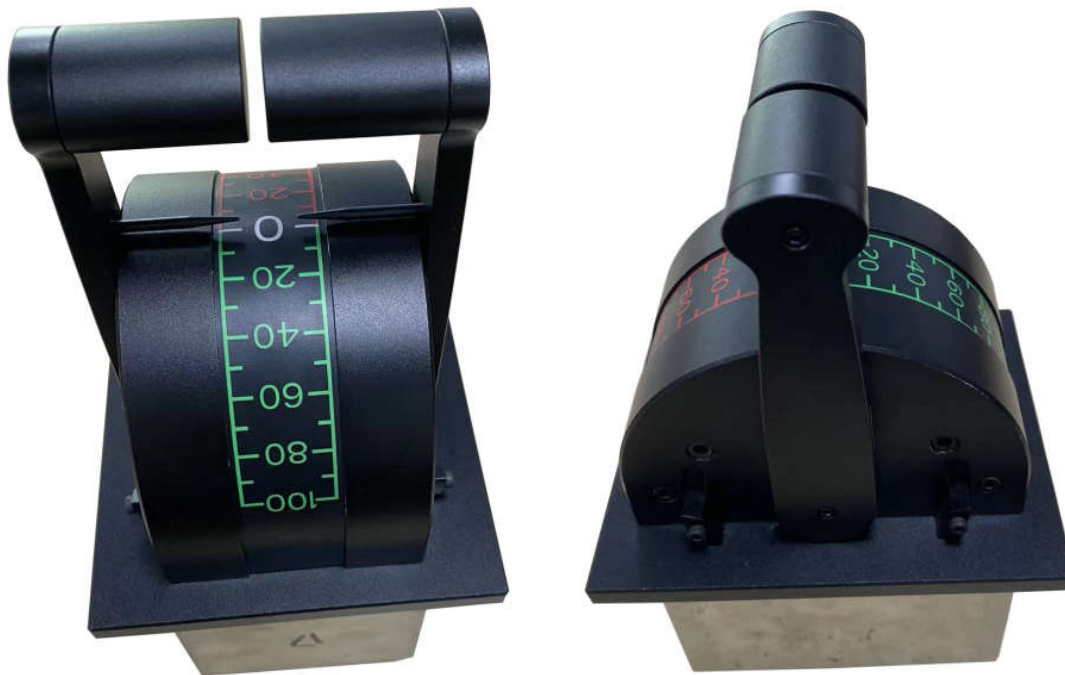


MKF-JS72

Mate Ship dual engine controller

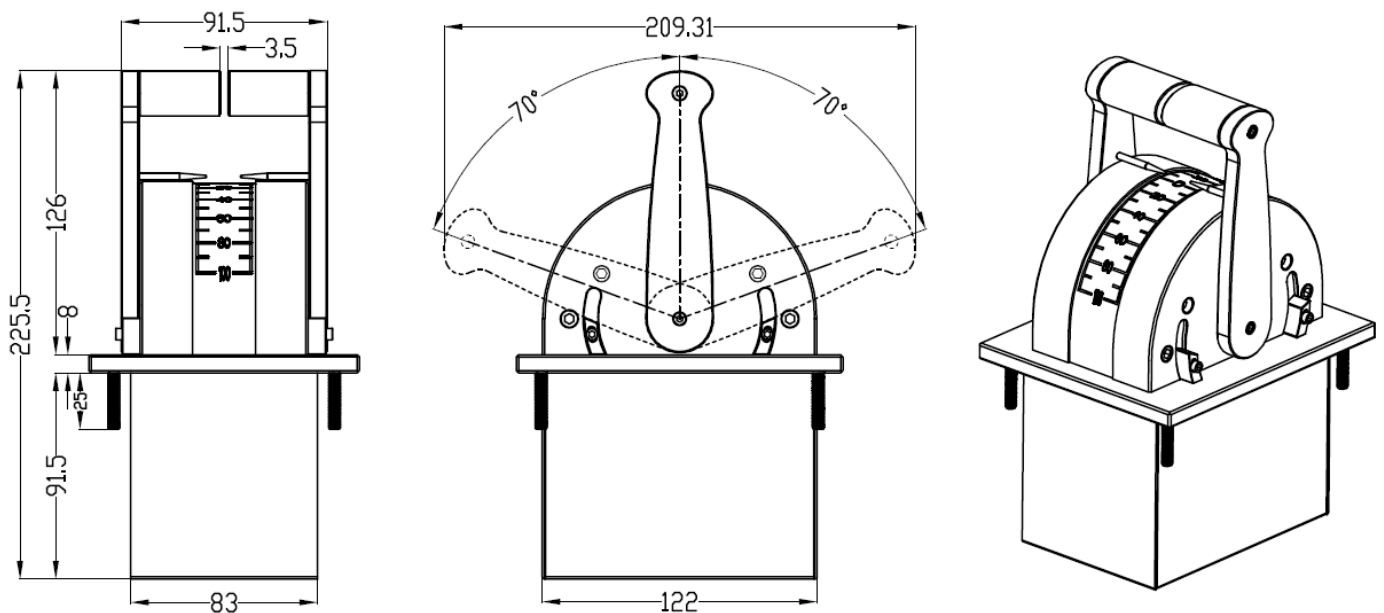


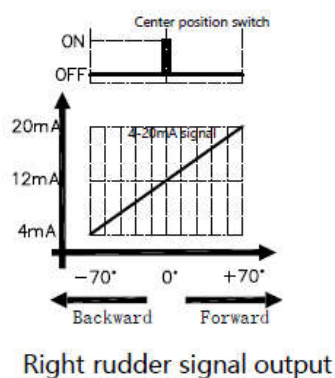
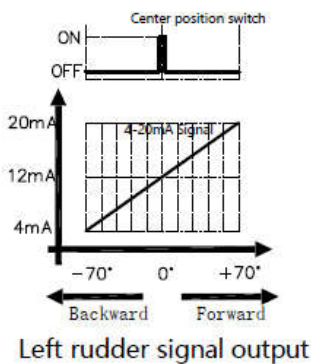
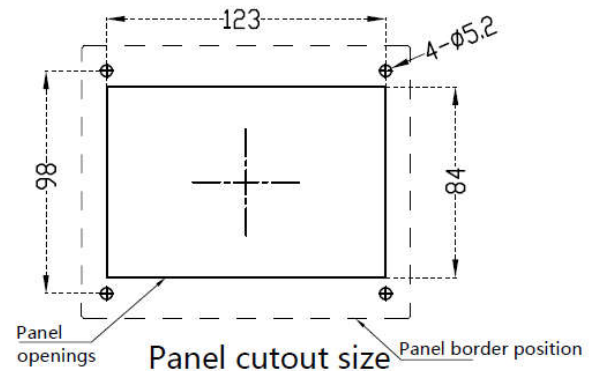
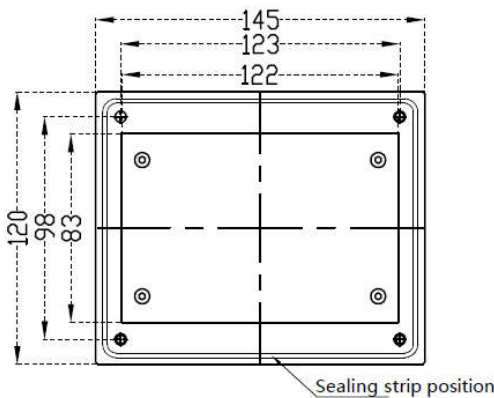
MKF-JS72 dual engine throttle controller. Suitable for ship engine throttle control, capable of controlling 2 engines, with throttle control and gear control functions. There are 11 mechanical gears (5 gears forward and 5 gears backward), and the PVC scale can adjust the backlight. Adopting a Hall sensor with linear compensation across the entire temperature range, the left and right signal outputs are completely isolated from the RS485 signal; Linear surface emitting technology with adjustable backlight brightness. Aluminum alloy shell, anodized surface, using nano friction positioning material, with good hand feel.

Technical parameters:

- Operating angle: 140° ($\pm 70^{\circ}$)
- Gear position: 11th gear (5th forward, 5th reverse, 1st middle)
- Each gear has a graduated feel
- Synchronous control: dual servo stepper motor and electromagnetic clutch mechanism
- Equipped with remote synchronization control function
- Signal output: current 4-20mA+RS485
- Power supply: DC24V (DC10V/DC36V)
- Operating temperature: $-40^{\circ}\text{C} \sim +70^{\circ}\text{C}$
- Protection: IP67 above the panel

Drawing:





This is a dual engine controller/lever. Suitable for throttle control of twin-engine yachts, can control 2 engines, with throttle control, gear control functions. There are 3 mechanical gears DNR, synchronous indication. With Hall sensor, full temperature range linear compensation, 2 engines full electrical isolation technology, bus signal output and engine electronic throttle signal output, waterproof and anti-salt spray treatment, with good operating feel

Sensor: Hall sensor

Operating angle: 140 degrees

Gear: 3 files (DNR)

Lifetime: more than 5 million times;

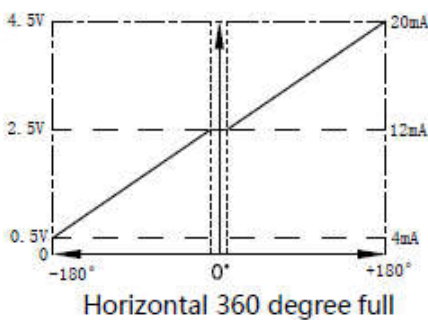
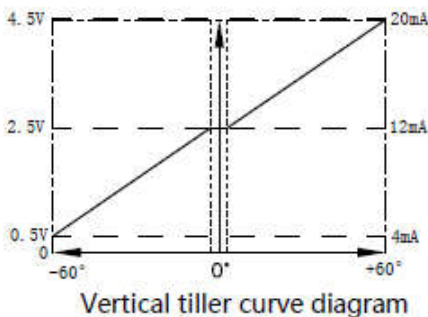
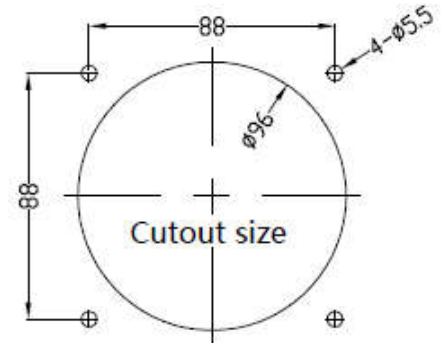
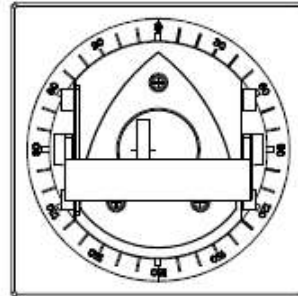
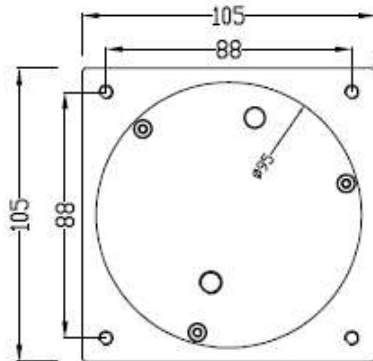
Signal output: CAN/RS485/diesel engine electronic throttle signal/electric isolation of left and right engine throttle signals

Power supply: DC24V (10-36V)

Power consumption: 30mA/@DC24V (no load)

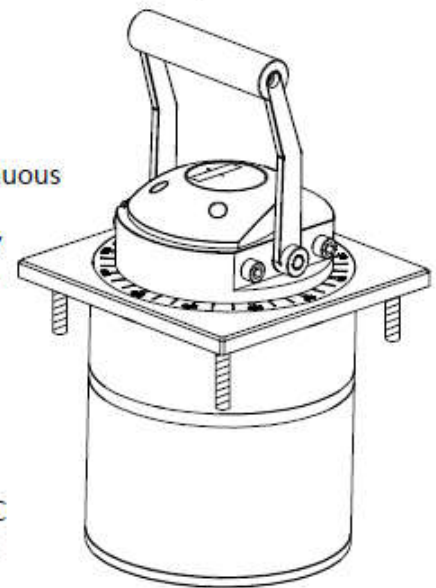
Operating temperature: -40°C ~ +70°C

Protection: IP67



Technical parameters:

- Vertical operation angle: $\pm 60^\circ$
- Horizontal rotation angle: 360° continuous
- Sensor: Hall sensor
- Signal output: Analog voltage 0.5-4.5v
Analog current 4-20mA
- Power supply: DC5V/DC24V optional
- Power consumption: less than 1W
- Backlight: Electronic surface emitting
(green, white, and red)
- Friction force: adjustable
- Mechanical life: more than 5 million
- Working temperature: $-40^\circ\text{C} \sim +85^\circ\text{C}$
- Storage temperature: $-50^\circ\text{C} \sim +85^\circ\text{C}$
- Protection: IP67 above the panel



rotation curve

External cable definition

1. (Red) Power supply+
2. (Black) Power Supply-
3. (Yellow) Vertical signal output
4. (Green) Horizontal signal output
5. (Brown) Signal ground