

MKB-34N

Mate Keypad, Silicone rubber, 12 buttons, panel mount, CAN output, CAN bus keypad



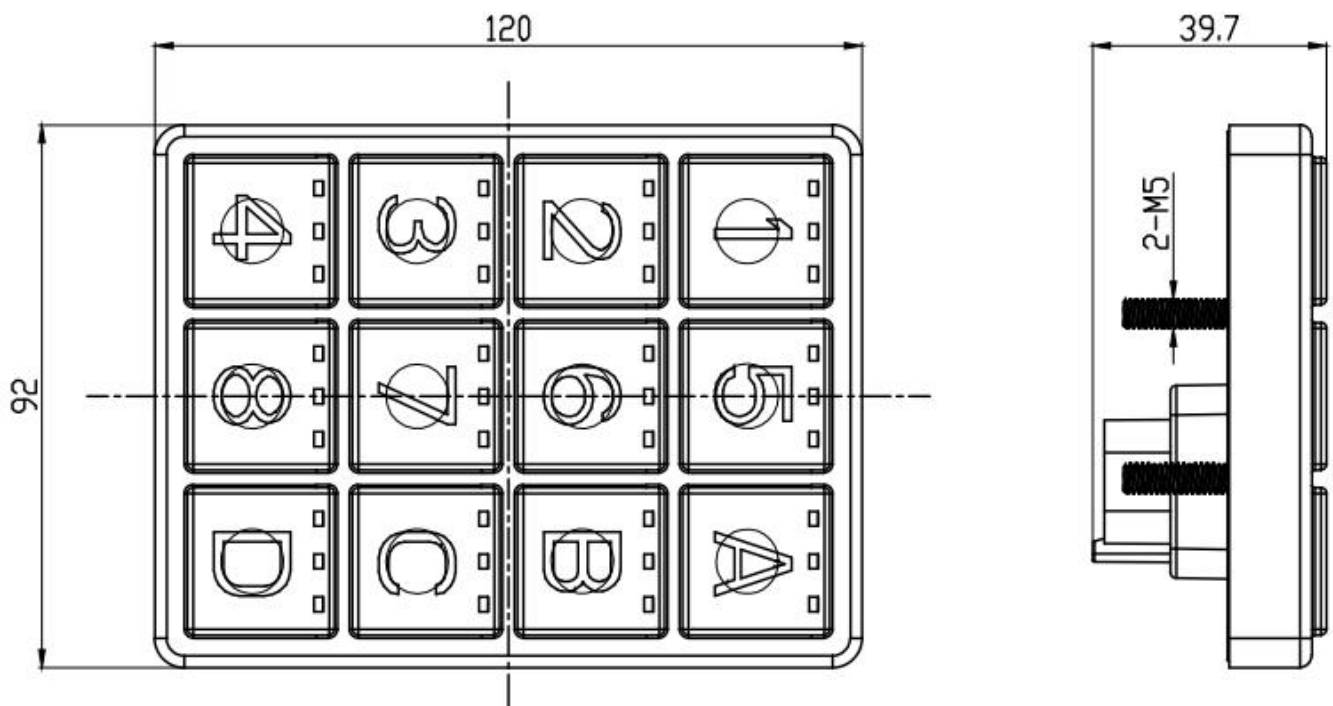
FEATURES

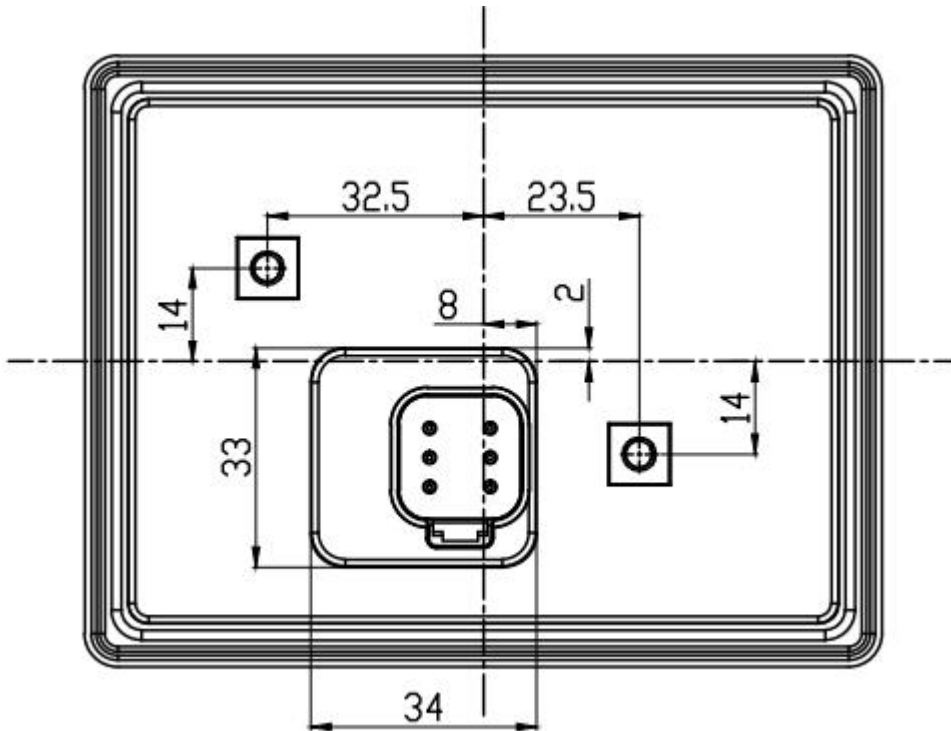
- Compliant with CAN J1939 standards.
- Customizable silicone keypad featuring laser etched legends
- Fully sealed, IP67 waterproof and dustproof, can be cleaned or disinfected
- Three dimmable LED function lights per button
- With metal-dome switch for accurate data input
- Custom layout and logo available
- Panel mount version

SPECIFICATION

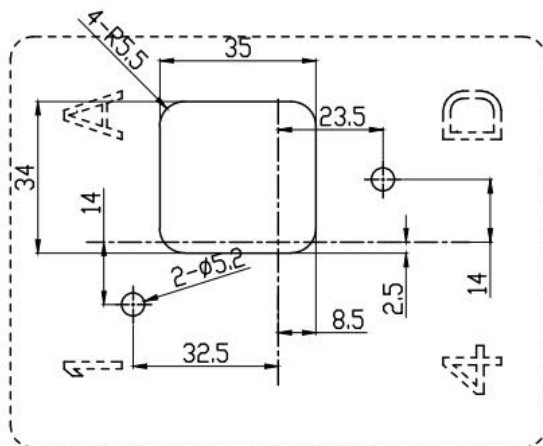
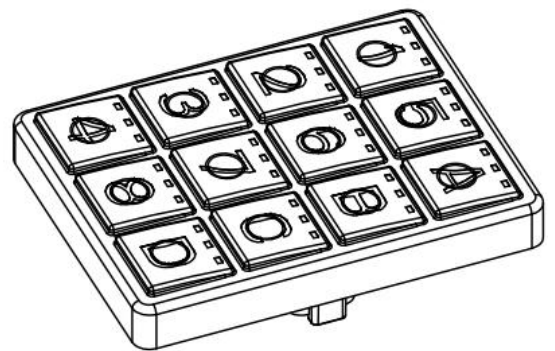
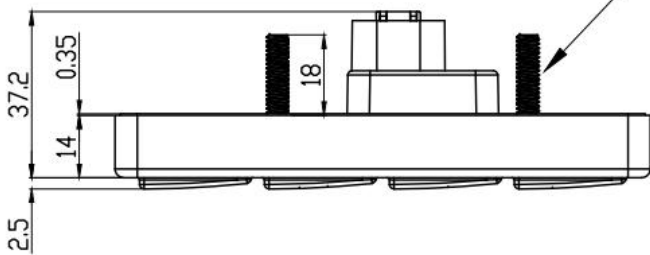
Number of keys	12
Key Switch	Metal dome switch technology
Switching cycles	2 million actuation
Material	Silicone rubber
Output	CAN J1939
Temperature Range	Operating: -40°C to +70°C, Storage: -45°C to +80°C
Compatibility	All Windows, Linux, Mac
Warranty	1 year
Certification	CE/FCC/ RoHS/IP67
Dimensions	120.0 x 92MM.0
Weight	0.2kg

MECHANICAL DRAWING





M5 ScrewX2



Opening size

Connector: DT04P(Male)



- 1.BATT +
- 2.CANL
- 3.BATT-
- 4.NC
- 5.CANH
- 6.CAN SHIELD

N