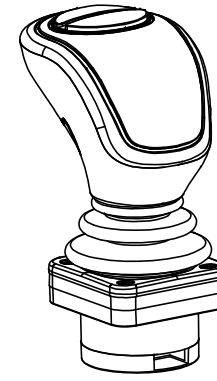
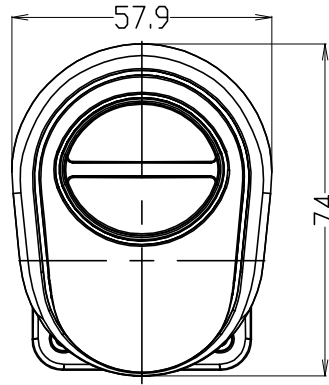
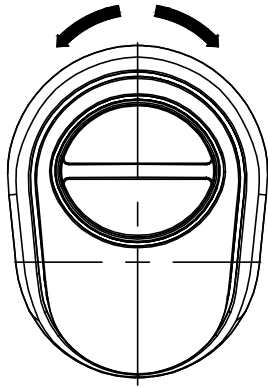
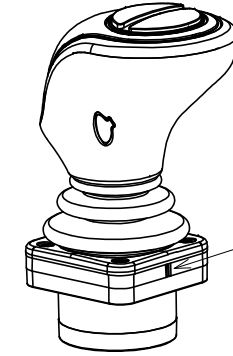


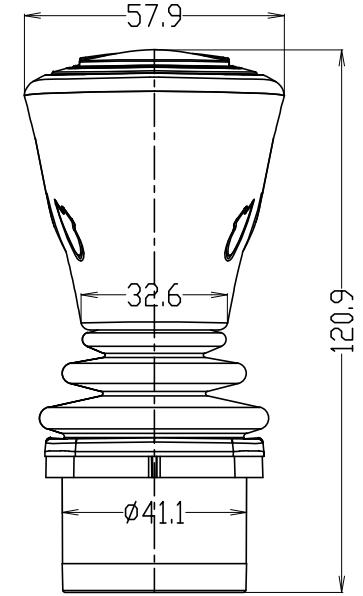
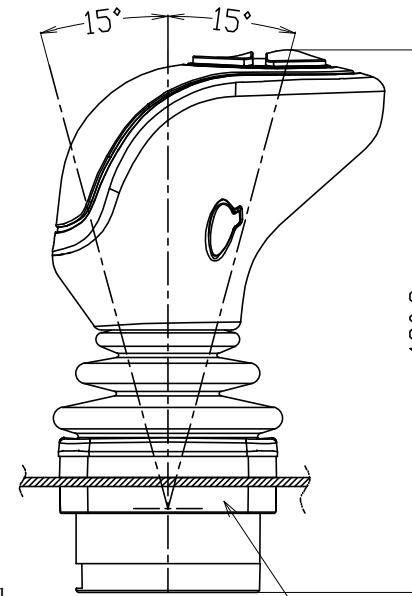
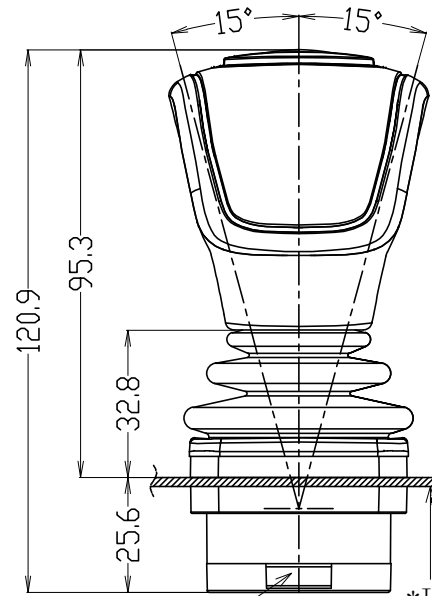
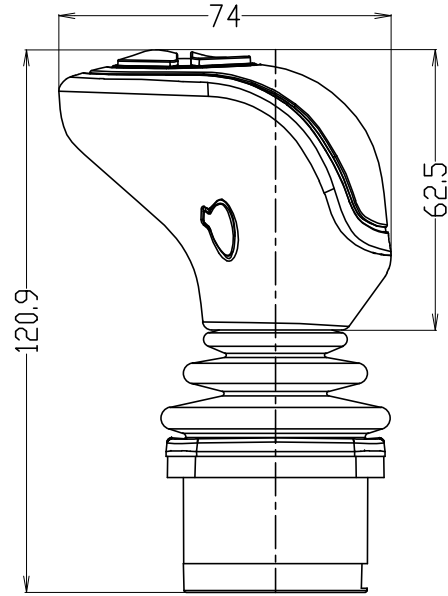
Axis Z twist
left/right 30°



记号:	变更原因	签认	日期
A1			
A2			

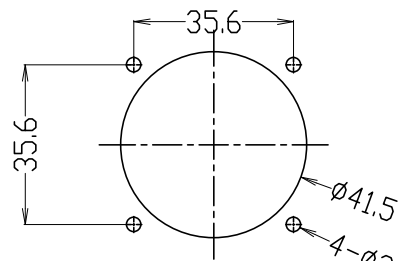


Installation
direction
reference point

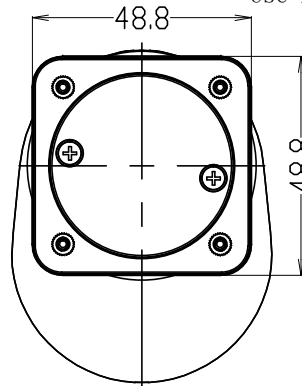


Cable out
*Installation panel
thickness: 2mm,
Use M3x15mm machine screw;

Installation base



Installation cutout size,
From top to rear



Mate Technology Shenzhen Limited www.matend.com								
Model No.:	MKF-JS66	绘图:	1	2	Scale:	1:1	View:	
材料:	2	设计:	1	2	Stage		Unit:	mm
数量:	3	审核:	1	2				
产品名称:	4	批准:	1	2				
版本号:	5							第 1 页 共 1 页