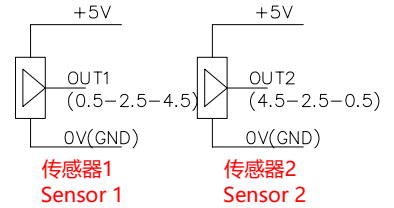
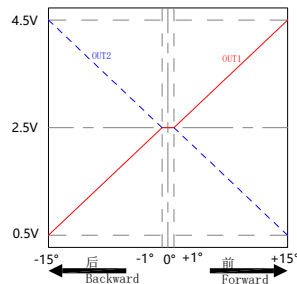
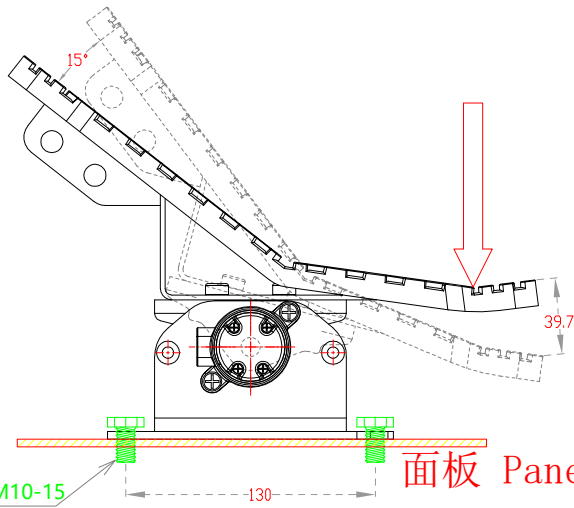
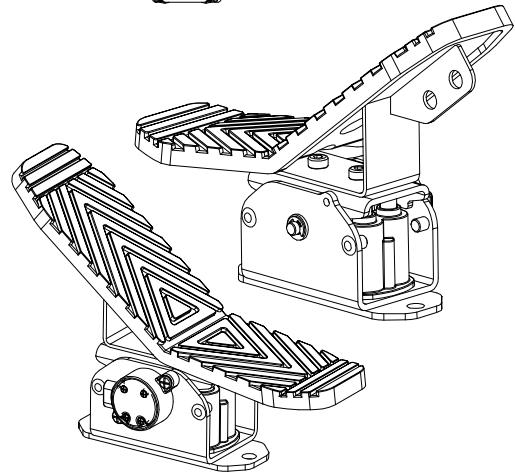
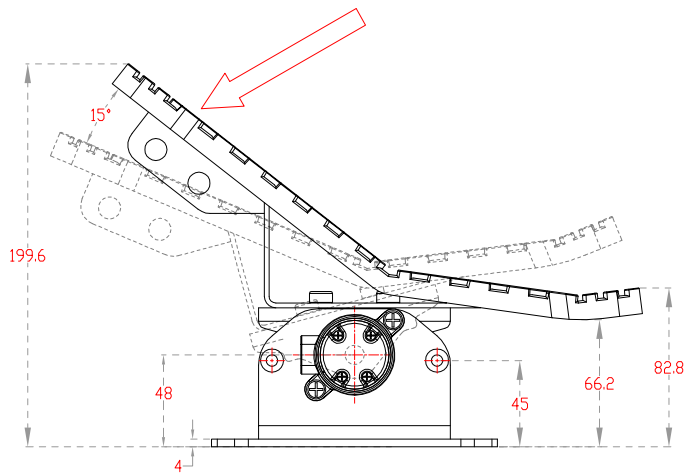
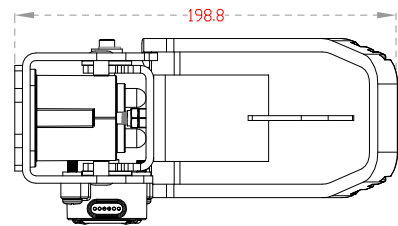
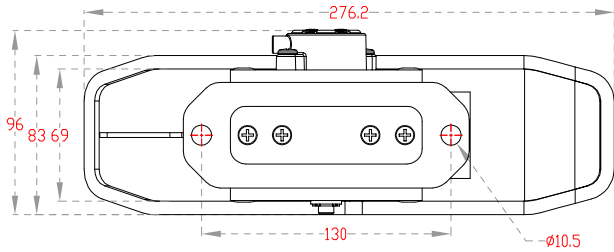
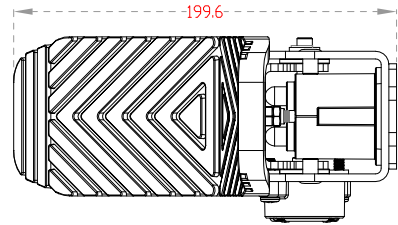
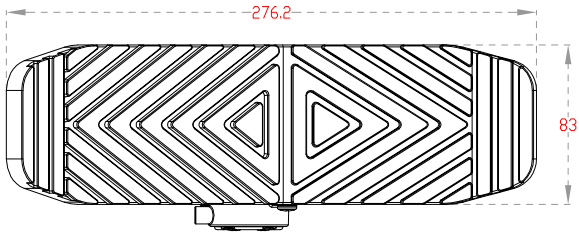


|     |      |    |    |
|-----|------|----|----|
| A2  |      |    |    |
| A1  |      |    |    |
| 记号: | 变更原因 | 签认 | 日期 |



1. 传感器1 0V (Sensor1 0V)  
 2. 传感器1 Out (Sensor1 Out)  
 3. 传感器1 5V (Sensor1 5V)  
 4. 传感器2 5V (Sensor2 5V)  
 5. 传感器2 Out (Sensor2 Out)  
 6. 传感器2 0V (Sensor2 0V)

DTM-06 (公头 Male)

履带车油门踏板  
 双向油门踏板  
 弹簧自动回中位  
 机械角度: ±15度  
 供电: DC5±0.5V  
 信号输出: 双路交插信号输出  
 0.5-2.5-4.5V (中位2.5V)  
 功率: 32mA/@5V  
 防护: IP66  
 引线长度: 30CM线束带德驰连接器DTM06-6P

Tracked vehicle accelerator pedal  
 Two-way accelerator pedal  
 spring return  
 Mechanical angle: ±15 degrees  
 Power supply: DC5±0.5V  
 Signal output: dual interleaved signal output  
 0.5-2.5-4.5V (Center 2.5V)  
 Power: 32mA/@5V  
 Protection: IP66  
 Cable Length: 30CM Cable with DEUTSCH Connector  
 DTM06-6P

**MKF-AP-01 Accelerator Pedal**

MATE TECHNOLOGY SHENZHEN LIMITED  
www.matend.com

|              |   |   |             |          |
|--------------|---|---|-------------|----------|
| Drawn By:    | 1 | 2 | Scale: 1:1  | View:    |
| Designed by: | 1 | 2 | Stages      | Unit: mm |
| Audit        | 1 | 2 |             |          |
| Approved:    | 1 | 2 | 1 of 1 page |          |