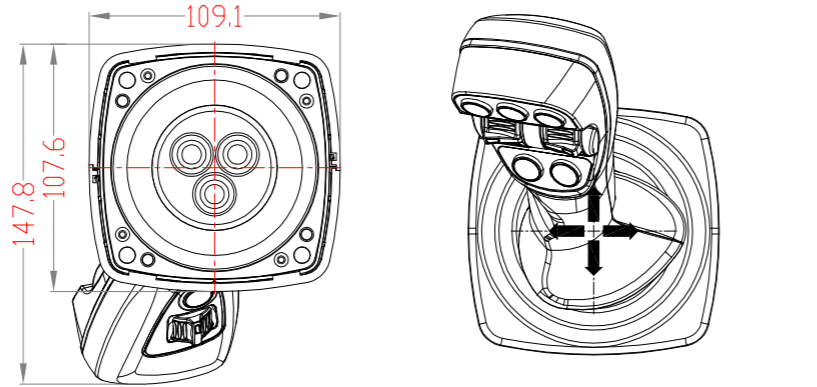
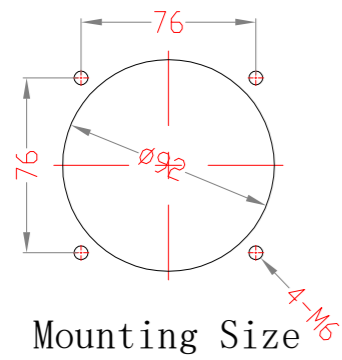
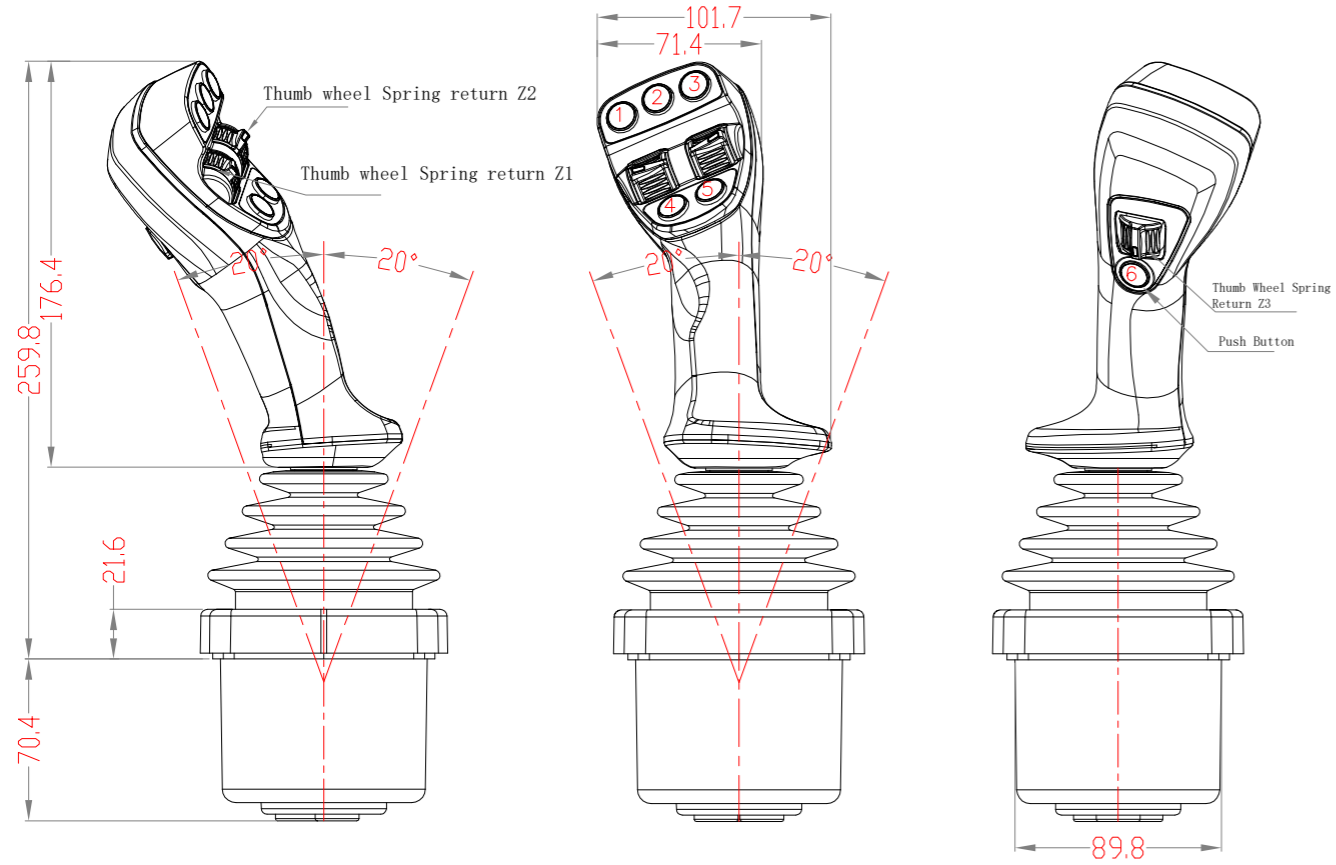
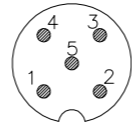
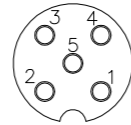


A2			
A1			
记号:	变更原因	签认	日期



X1 Pin assignment plug
M12"Phoenix" female

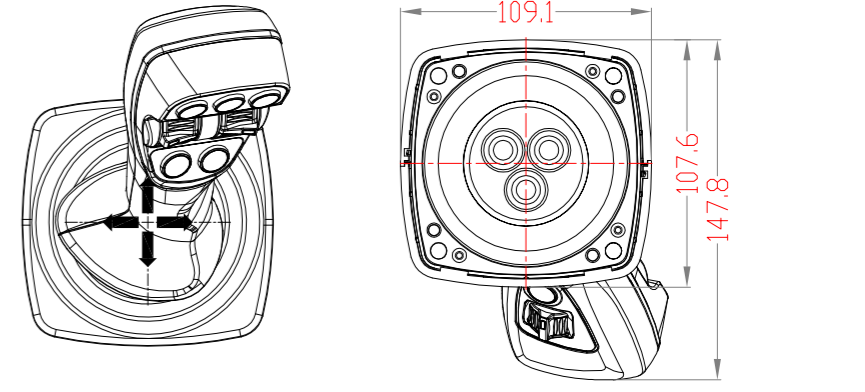
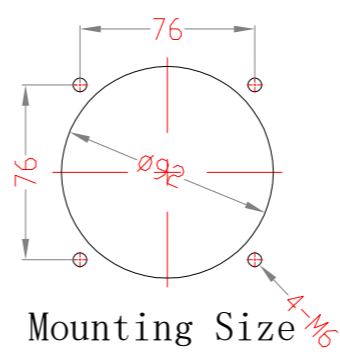
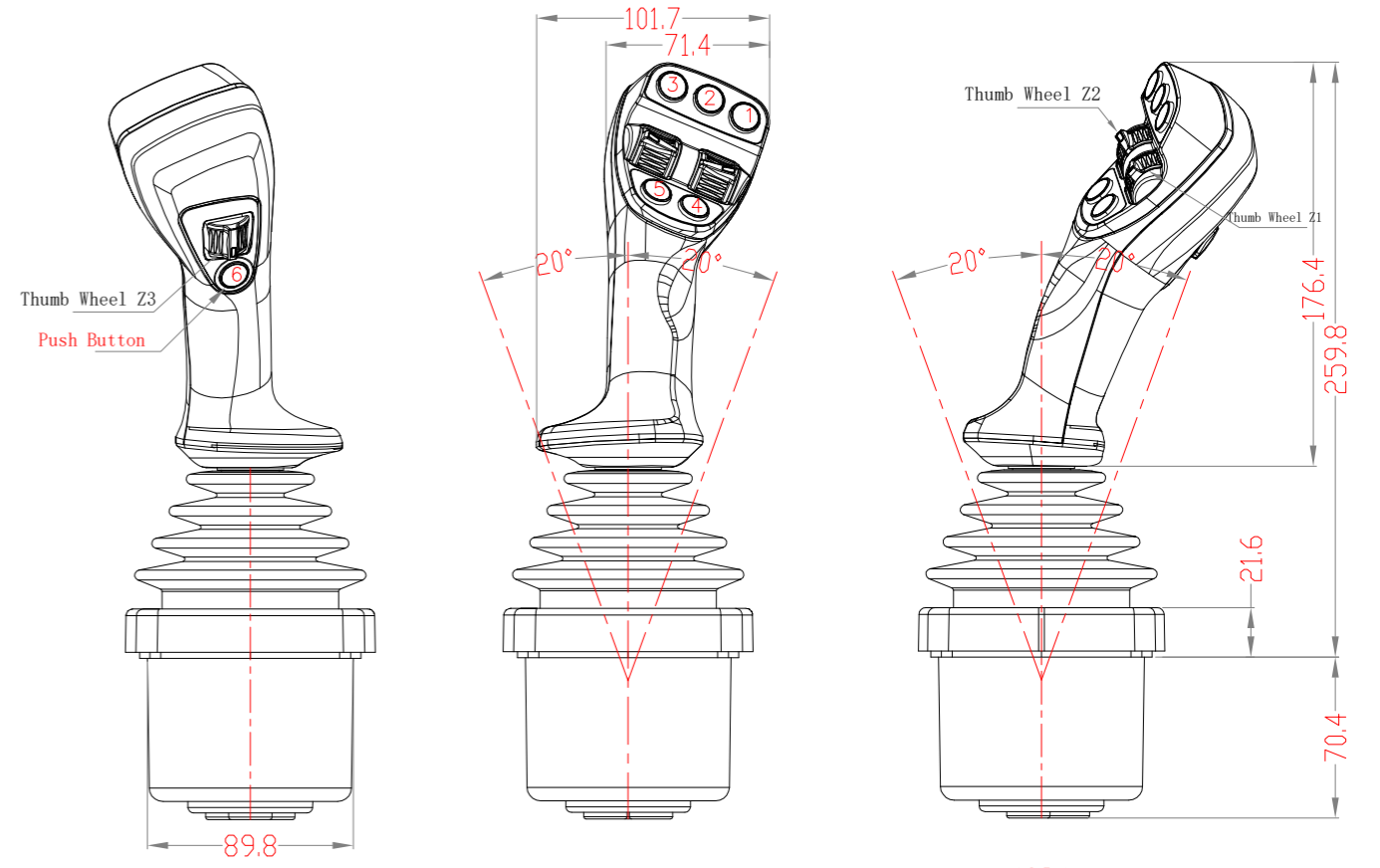
X2 Pin assignment plug
M12"Phoenix" Male



1. Brown (Shielding)
2. White (V+)
3. Blue (V-)
4. Black (CAN-H)
5. Grey (CAN-L)

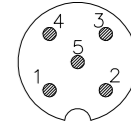
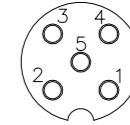
Mate Technology Shenzhen Limited				
Model No. : MKF-JS60-R				
Drew By:	1	2	Scale:	View:
Designed by:	1	2	Unit:	mm
Audited by:	1	2		
Approved by:	1	2	1 of 1 Page	

A2			
A1			
记号:	变更原因	签认	日期



X1 Pin assignment plug
M12"Phoenix"Female

X2 Pin assignment plug
M12"Phoneix" Male



1. Brown (Shielding)
2. White (V+)
3. Blue (V-)
4. Black (CAN-H)
5. Grey (CAN-L)

Mate Technology Shenzhen Limited				
Model No. : MKF-JS60-L				
Drew By:	1	2	Scale:	View:
Designed by:	1	2	Unit:	mm
Audited by:	1	2		
Approved by:	1	2	1 of 1 Page	