

MKF-TS06 SERIES JOYSTICKS

Mate Joystick, Single axis joysticks, Panel Mounted



Handle A



Handle B

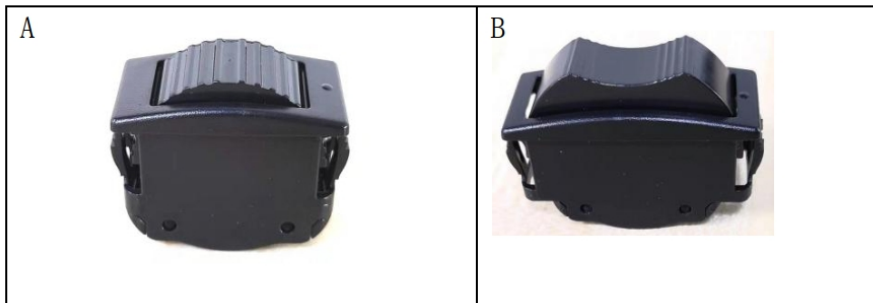
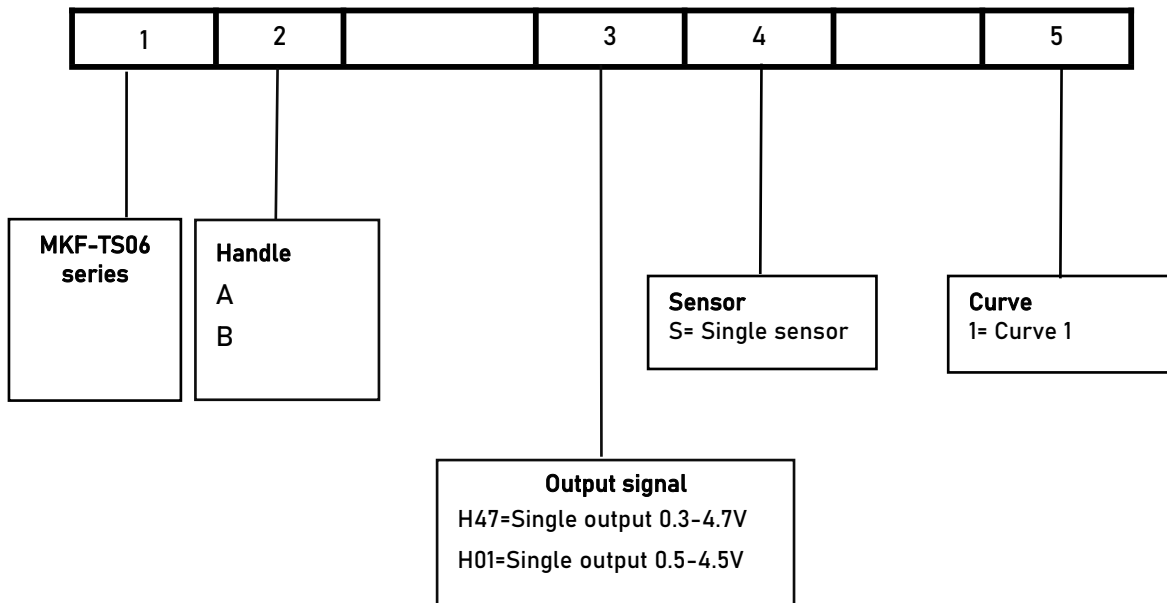
DESCRIPTION

MKF-TS06 is a professional industrial thumb wheel used in TV camera, CCTV, industrial robot, medical equipment, optical instrument, heavy-duty and safety-critical applications. Rugged, reliable for long life span usage. With Hall sensor, Single axis, 0.5-4.5V@DC5V signal output.

SPECIFICATION

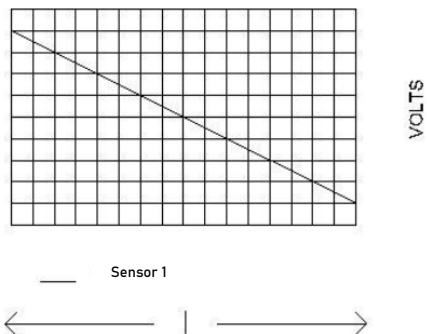
Lever Action	Spring return
Lever Mechanical Angle	±30°
Sensor Type	Hall effect
Signal Output	Analog voltage 0.3-4.7V, 0.5-4.5V
Power Supply	DC5V / 12MA
Operating Cycles	> 3 Million Cycles
Operating Temperature	-40°C~+70°C
Storage Temperature	-50°C~+80°C
Degree of Protection	Above the flange IP65
Humidity	96% RH, 70° C, 96 hours
Vibration	Per MIL-810F minimum integrity
Electromagnetic Interference EMI	Withstand per SAE J1113
Radio Frequency Interference RFI	Withstand per SAE J1113

PRODUCT CONFIGURATION

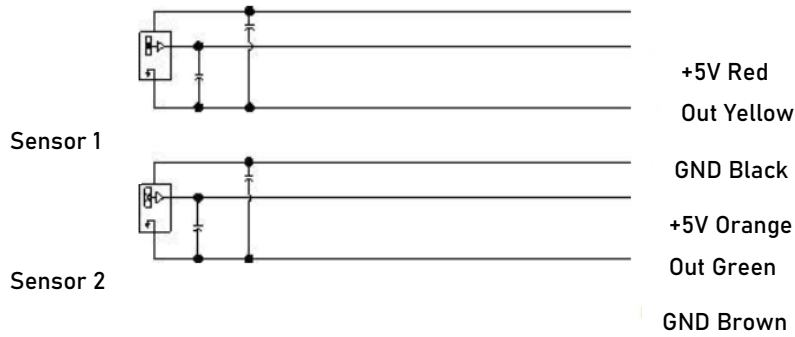


Signal output curve

Curve 1--Single sensor



Schematic diagram:



Note: Sensor 2 only exist for redundant models, normal models only have sensor 1

MECHANICAL DRAWING

