

MKF-RC01

Mate wireless Joystick station for remote control



The joystick station is suitable for the hoisting and lifting equipments through auxiliary devices and contactors. Special wireless and handiness version designed to be ideal for unsupervised or dangerous / hostile hard working condition. It can be mounted in the compact case, which is also feasible with customized design like optional buttons and variety joysticks.

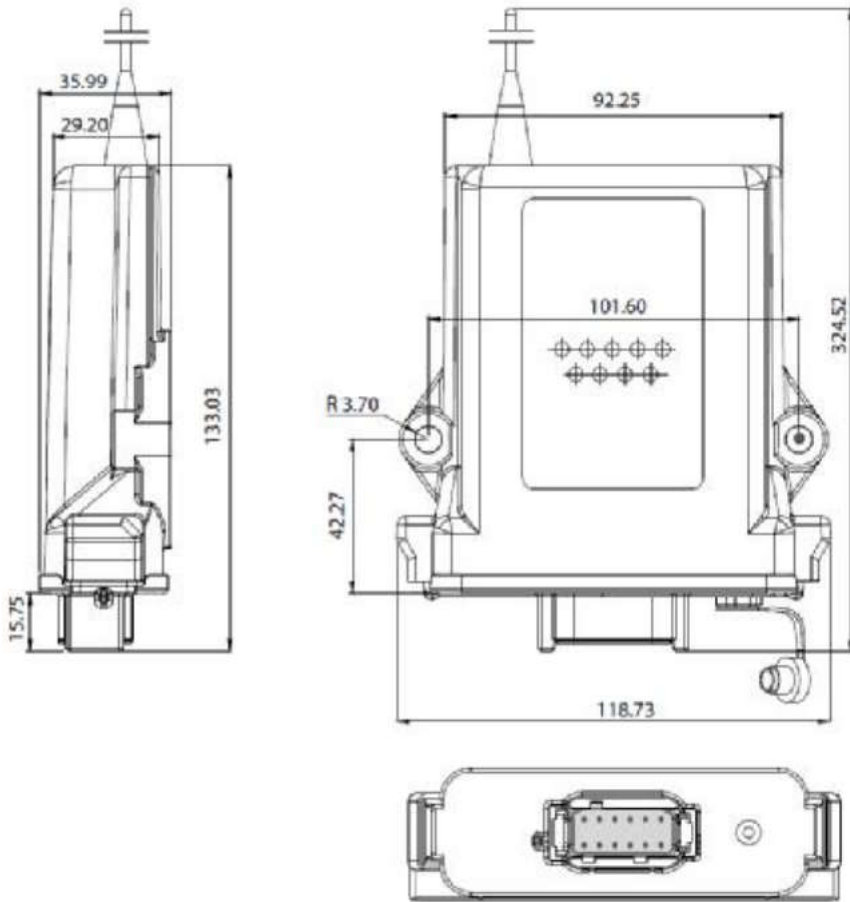
- Frequency: 470.00Mhz
- 1 x Hall effect joystick, 2 x momentary push buttons, 1 x emergency button, 2 x toggle switch
- Remote control distance: 100M
- Battery: 3.7V, 5000mA
- Frequency: 470Mhz
- Automatic shutdown after 15 minutes of inactivity
- The battery can be connected for about 30 hours
- Power-on method: turn on the emergency stop switch → long press the START button for 8 seconds (bottom side) → release when the sound is heard, then short press
- START key 1 click → automatically start

Local two-way communication:

- When the receiver is powered off or the distance exceeds the range, the OLED screen on the remote control will display: Signal loss
- The transmitter and receiver are successfully connected, and the OLED screen on the remote control displays: Connection Successful

RECEIVER SET

Dimensions in mm



Wireless receiver

无线接收器内部

Power input 24V+

Power input 0V

● A1 +24V (电源输入24V+) ---

● A12 GND (电源输入0V) ---

● A2 CANH ---

● A11 CANL ---

急停继电器
有无线信号闭合
无无线信号断开

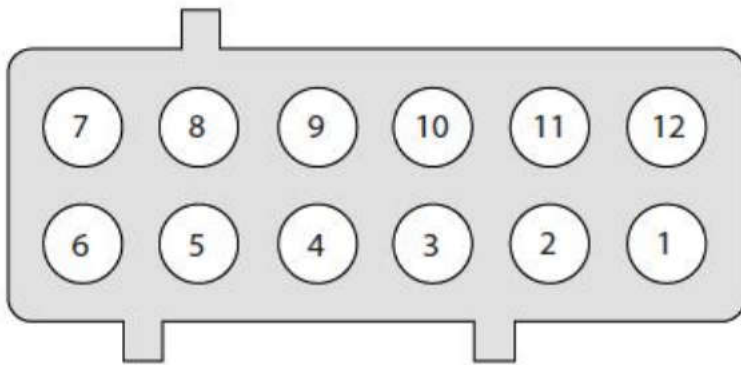
● A4 STOP-A

● A9 STOP-B

Emergency stop relay

Wireless signal close

No wireless signal disconnect



PIN	Specification
1	Power supply +24v
2	CANH
3	
4	Output: emergency stop relay contact A
5	
6	
7	
8	
9	Output: emergency stop relay contact B
10	
11	CAN-L
12	Power supply 0v

CAN communication

ID=1E4

Baud rate: 500K

Continuous transmission: 40ms continuous transmission