

MKF-TS05

Mate Waterproof three-way Rocker switch



MKF-TS05-A



MKF-TS05-B



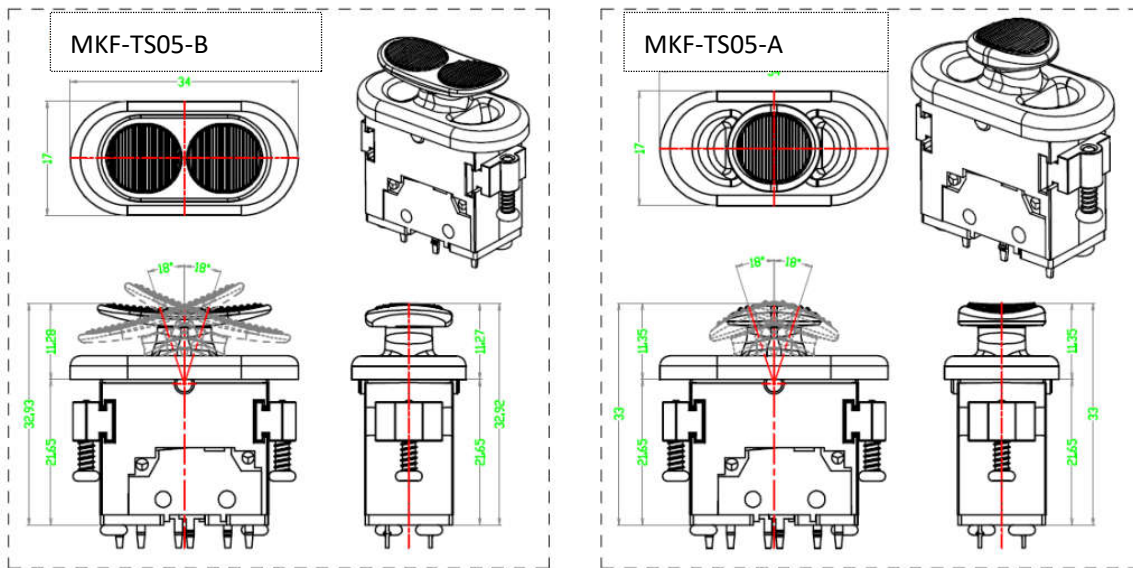
DESCRIPTION

MKF-TS05 is a Waterproof Rocker switch with 3 position. 3 gears locking, return to center automatically. Long life span.

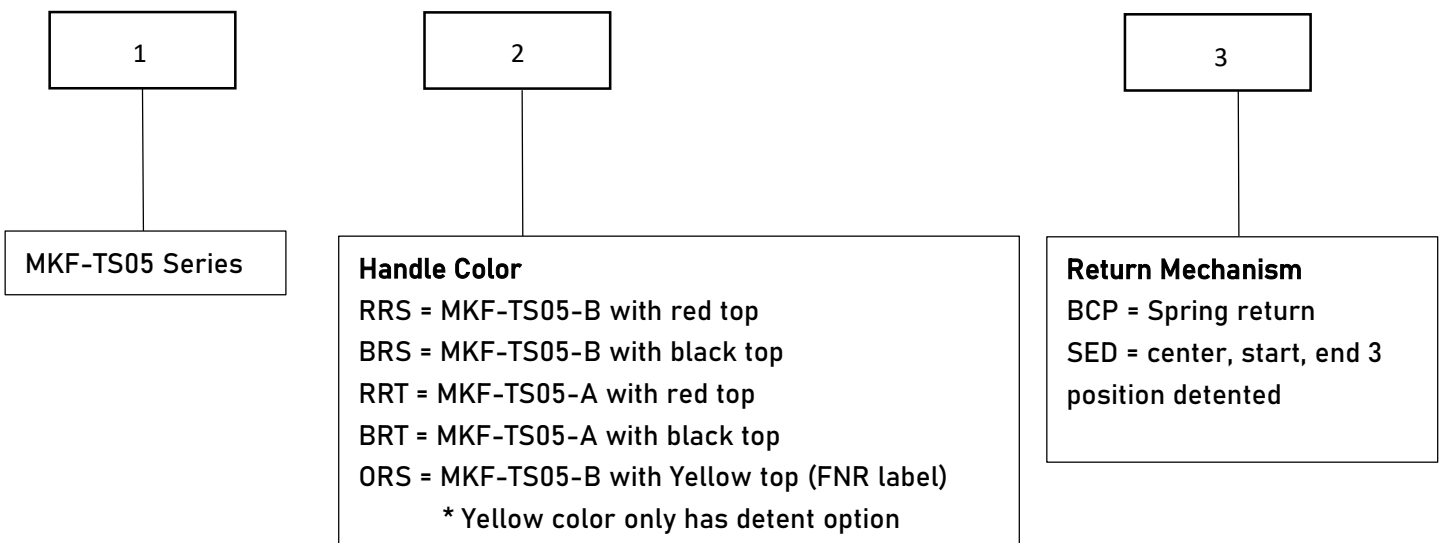
SPECIFICATION

IP rate	IP67
Mechanical gear	3 position
Power Supply	DC 30V
Supply Current	2A
Life Span	Over 1 million operating cycles
Operation Temperature	-40°C to +85°C

TECHNICAL DRAWINGS



PRODUCT CONFIGURATION



EXTRA TECHNICAL DRAWINGS

