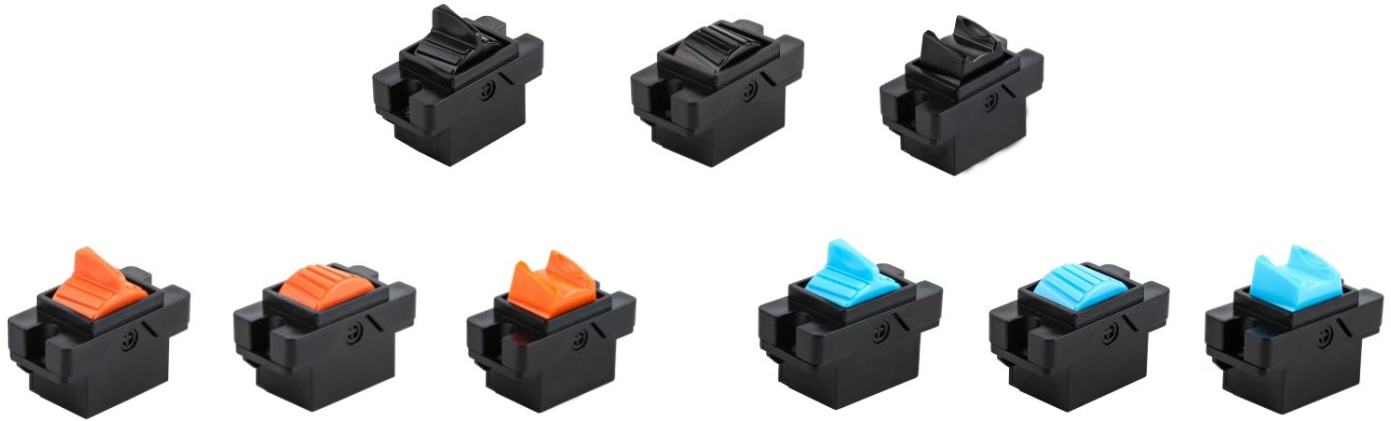


MKF-TS04 SERIES JOYSTICKS

Mate Joystick, Single axis joysticks, Panel Mounted



DESCRIPTION

MKF-TS04 series single axis joystick. Using Hall sensor imported from Germany, linear compensation in full temperature range, multi-point linearity correction, non-contact between moving parts and sensor, long life. Suitable for construction machinery, hydraulic control and other fields.

SPECIFICATION

Lever Action	Spring return, friction positioning, gears 2, 3, 5, 11
Lever Mechanical Angle	±35°
Sensor Type	Hall effect
Signal Output	Analog voltage 0.5-4.5V
Power Supply	DC5V 12MA
Operating Cycles	> 10 Million Cycles
Operating Temperature	-40°C~+70°C
Storage Temperature	-50°C~+80°C



Handle A

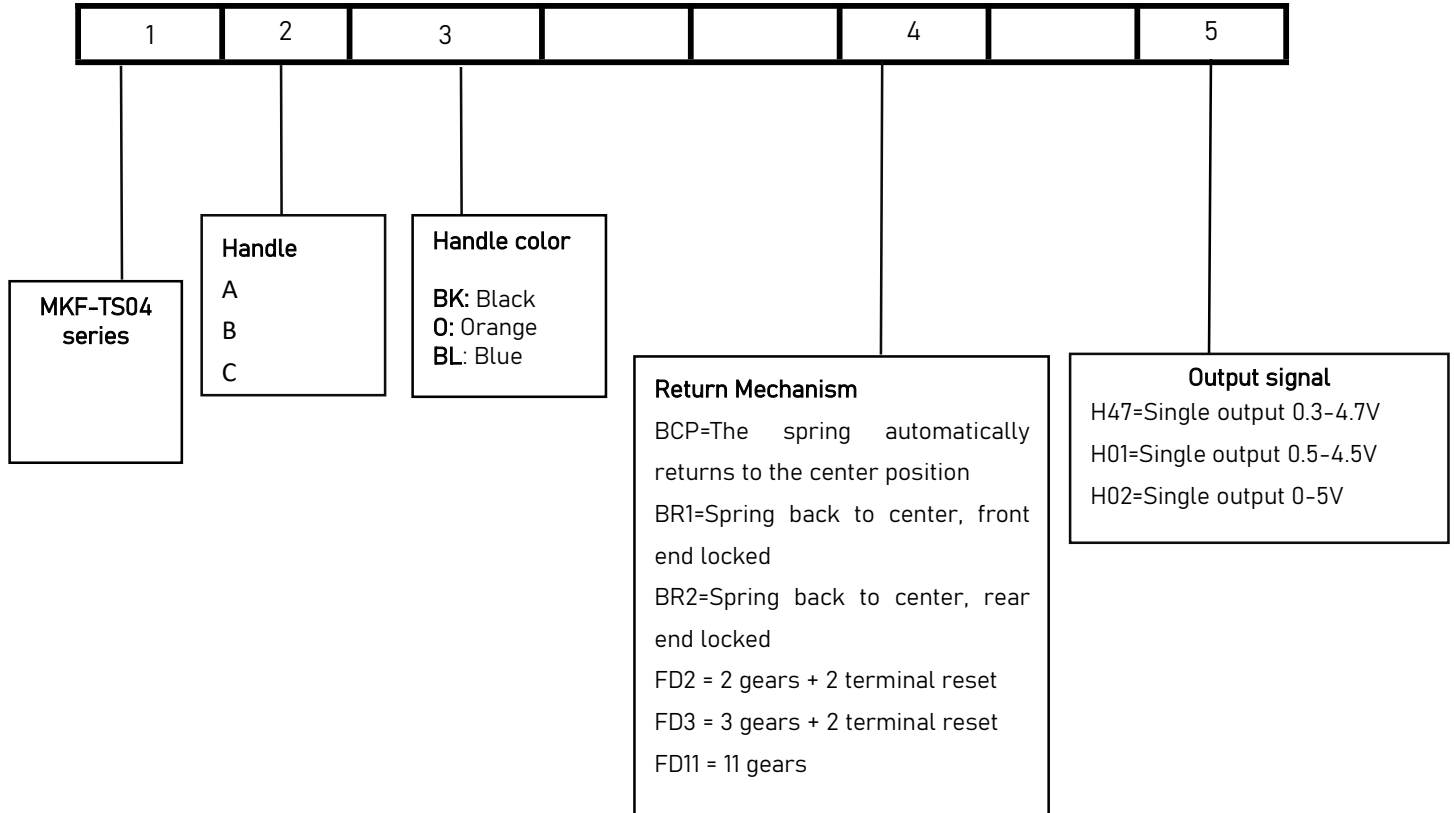


Handle B

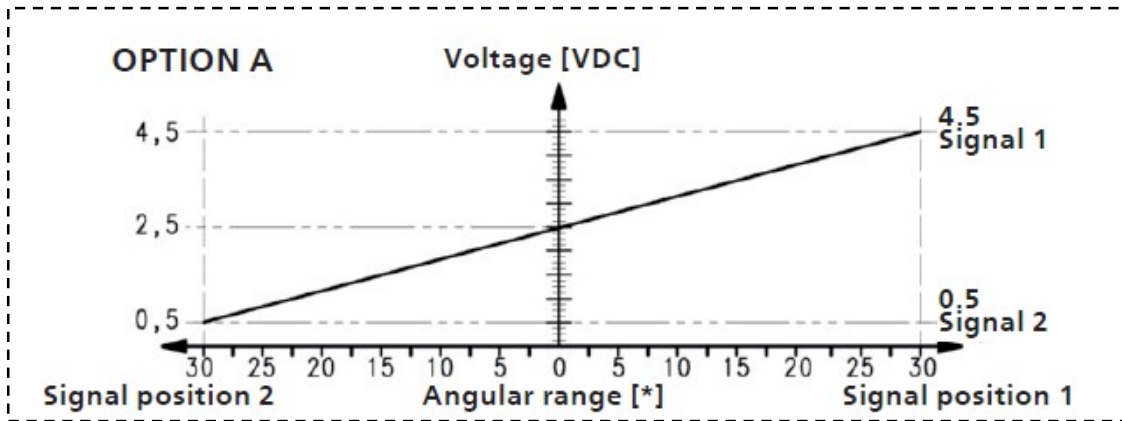


Handle C

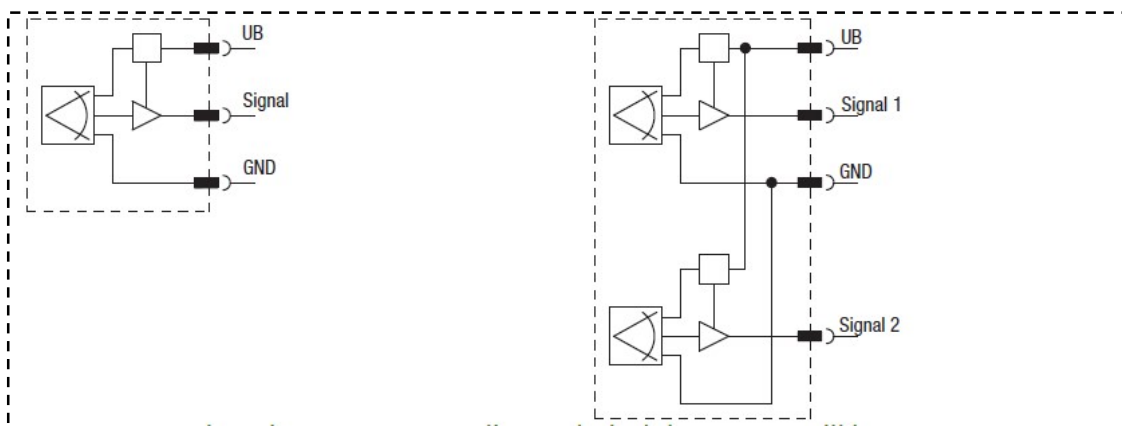
PRODUCT CONFIGURATION



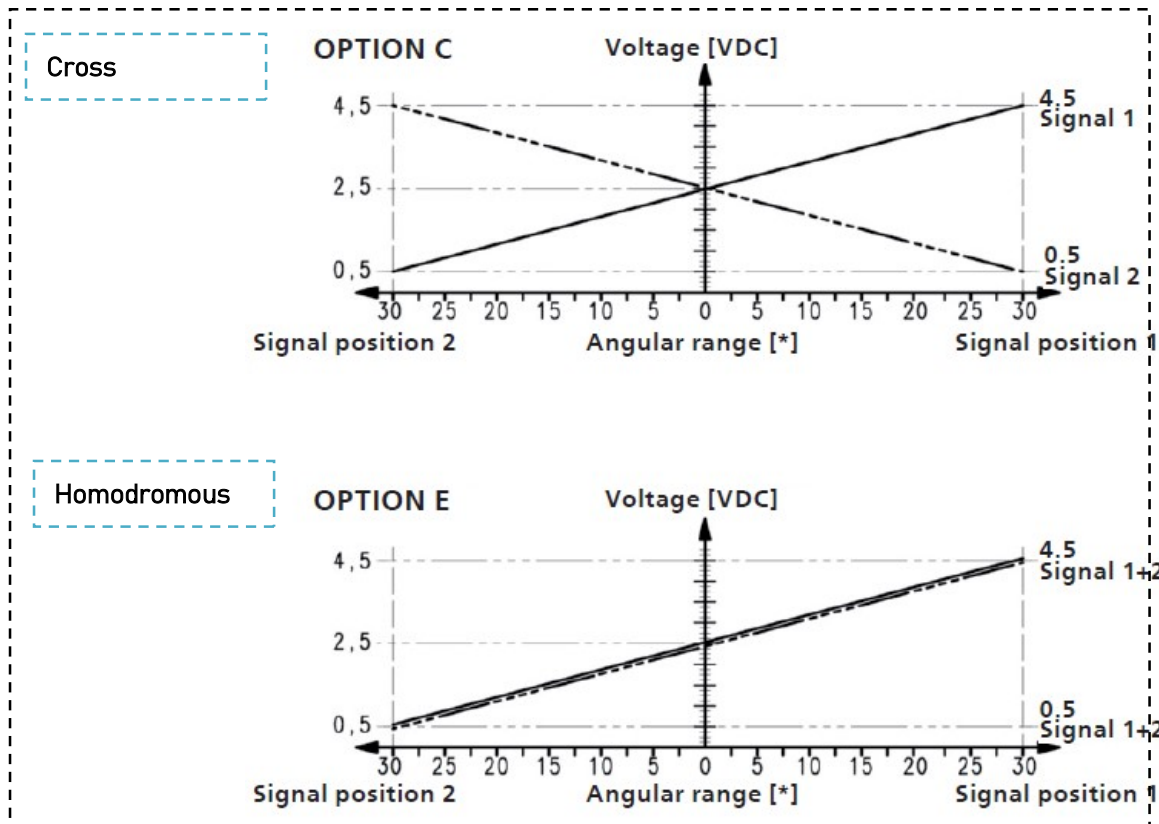
Single signal output curve (Curve 1)



Schematic diagram:



Dual signals output curve (Curve 2)



Output lead:

Lead length: 18CM

Lead color	Symbol	Description
Red	+5V	+5V
Black	GND	GND
Yellow	Out1	Signal output 1
Green	Out2	Signal output 2 (only available on dual output models)

MECHANICAL DRAWING

