

MKF-TS03 SERIES JOYSTICKS

Mate Joystick, Single axis joysticks, Panel Mounted



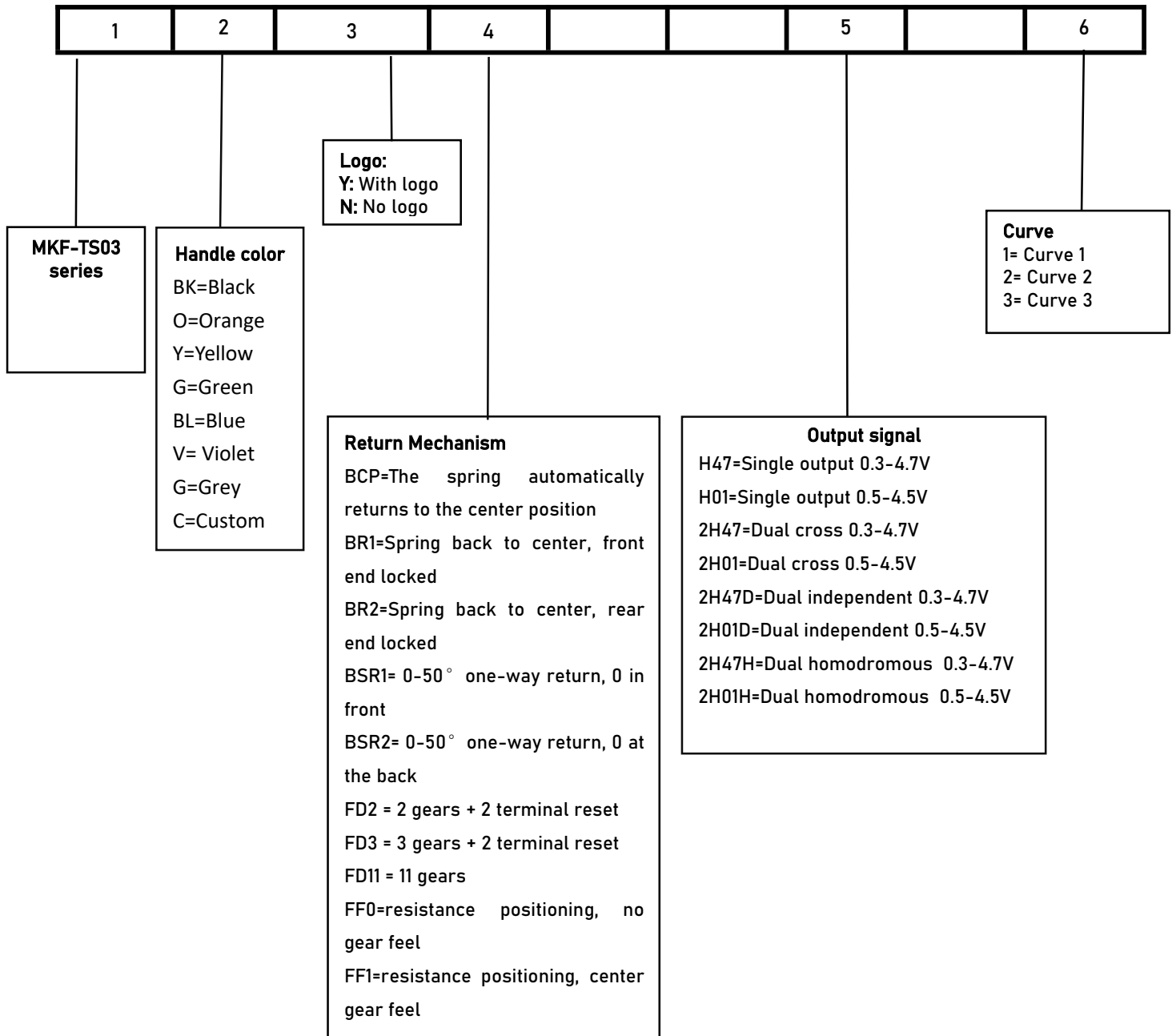
DESCRIPTION

MKF-TS03 series single axis joystick. Using Hall sensor imported from Germany, linear compensation in full temperature range, multi-point linearity correction, non-contact between moving parts and sensor, long life. Suitable for construction machinery, hydraulic control and other fields.

SPECIFICATION

Lever Action	Spring return or friction brake
Lever Mechanical Angle	±30°
Sensor Type	Hall effect
Linearity	Less than 0.3%
Signal Output	Analog voltage 0.3-4.7V, 0.5-4.5V
Power consumption	Single sensor 12mA, dual sensor 23mA
Power Supply	DC3.3V or 5V
Operating Cycles	> 10 Million Cycles
Operating Temperature	-40°C~+70°C
Storage Temperature	-50°C~+80°C
Degree of Protection	Above the flange IP54
Base Dimension	43(L) x 25(W) x 51(H) mm

PRODUCT CONFIGURATION



Selection description:

(1) Power supply:

MKF-TS03 series DC5V power supply, the power supply voltage range is 4.0-5.5V, and the corresponding output signal will also change proportionally;

MKF-TS03 series DC3.0-5.5V power supply, support 3.3V and 5.0V power supply, voltage range 3.0-5.5V, the corresponding output signal will also change proportionally, such as median signal = $V_{dd}/2$;

(2) Signal output

H47=Single output 0.3-4.7V single sensor, the signal output is 1 lead, the signal output voltage is 0.3V-4.7V;

H01=Single output 0.5-4.5V single sensor, the signal output is 1 lead, the signal output voltage is 0.5V-4.5V;

2H47=Dual cross 0.3-4.7V dual sensor, the signal output is 2 leads, the cross signal curve, the output voltage is 0.3V-4.7V;

2H01=Dual cross 0.5-4.5V dual sensor, the signal output is 2 leads, the cross signal curve, the output voltage is 0.5V-4.5V;

2H47D=Dual independent 0.3-4.7V dual sensors, the signal output is 2 leads, 1 lead in the front direction, 1 lead in the rear direction, 2 independent leads, the output voltage is 0.3V-4.7V;

2H01D=Dual independent position 0.5-4.5V dual sensor, the signal output is 2 leads, 1 lead in the front direction, 1 lead in the rear direction, 2 independent leads, the output voltage is 0.5V-4.5V;

2H47H=Dual homodromous 0.3-4.7V dual sensor, the signal output is 2 leads, the same direction signal curve, the output voltage is 0.3V-4.7V;

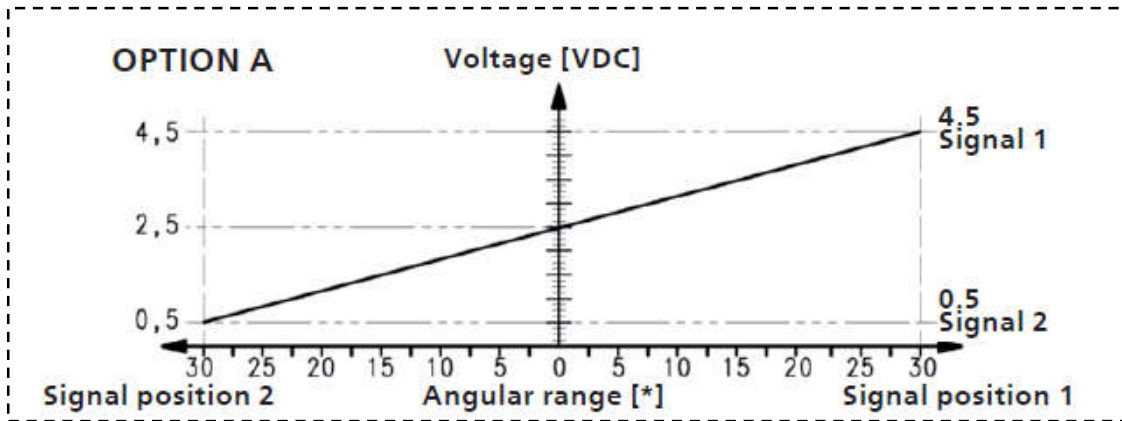
2H01H=Dual homodromous 0.5-4.5V dual sensor, the signal output is 2 leads, the same direction signal curve, the output voltage is 0.5V-4.5V;

Output lead:

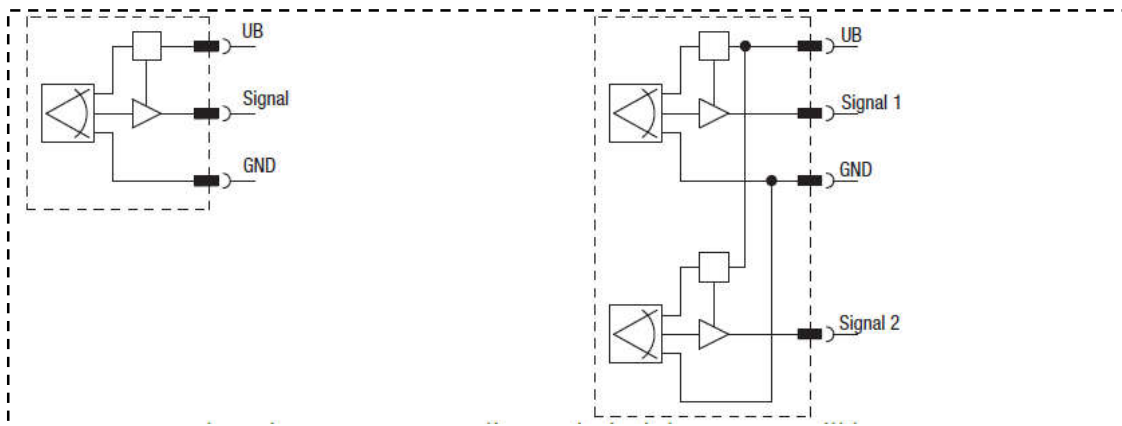
Lead length: 18CM

Lead color	Symbol	Description
Red	+5V	+5V
Black	GND	GND
Yellow	Out1	Signal output 1
Green	Out2	Signal output 2 (only available on dual output models)

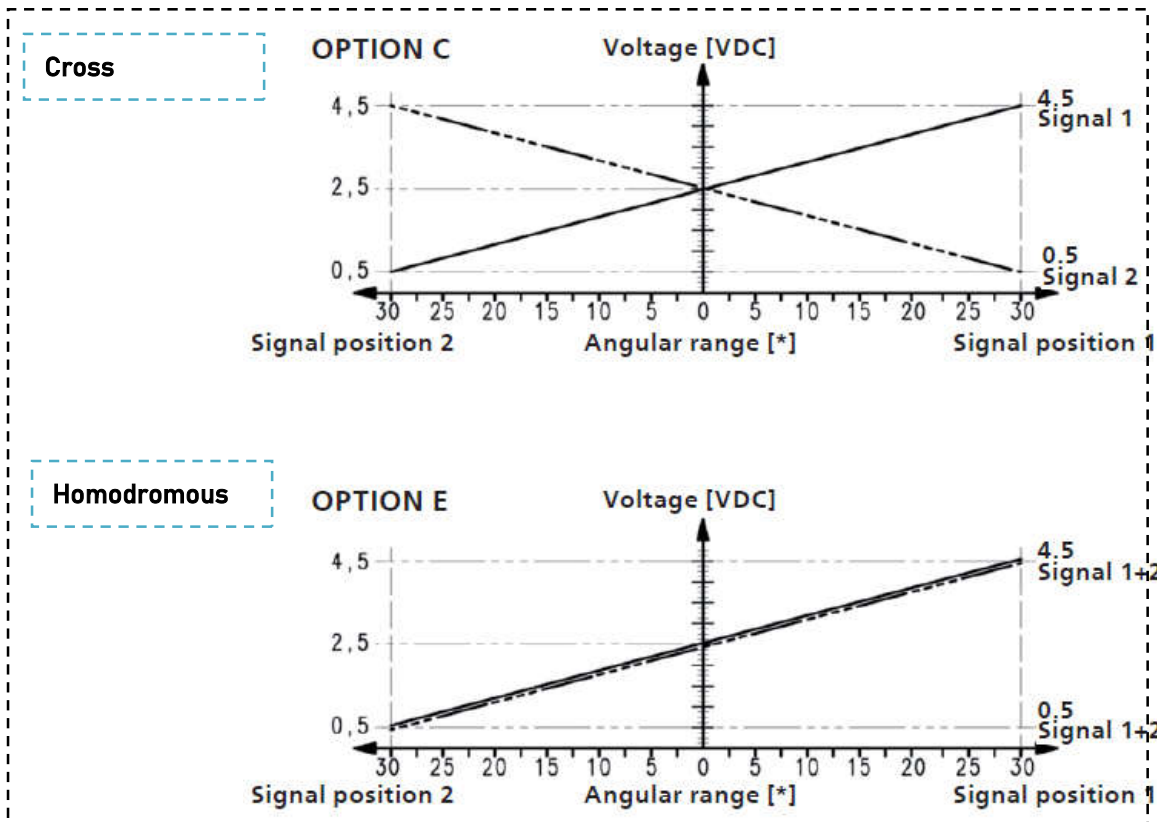
Single signal output curve (Curve 1)



Schematic diagram:

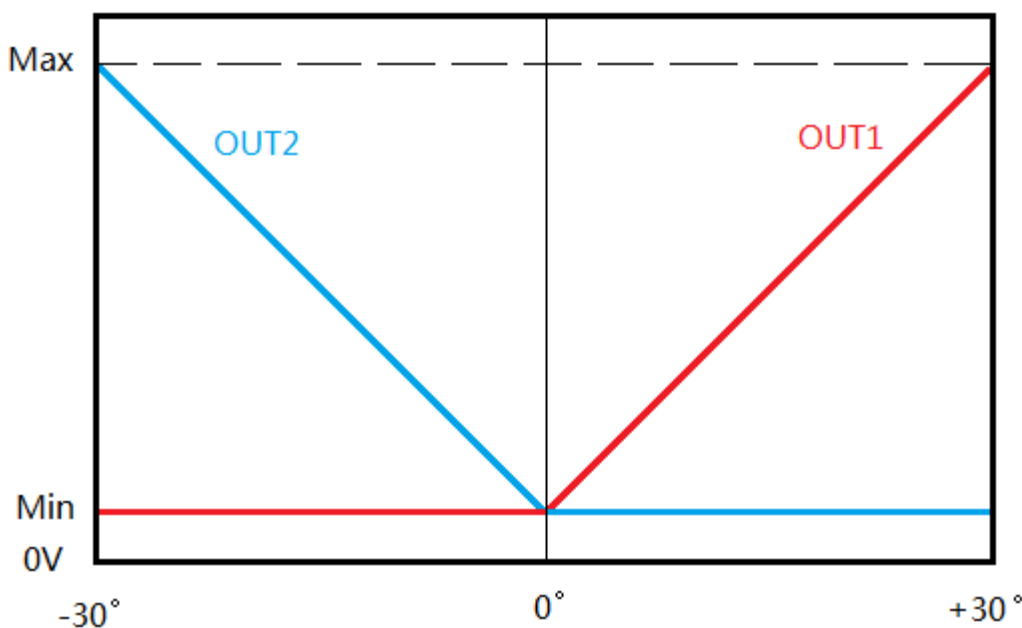


Dual signals output curve (Curve 2)



Dual signals output curve (Curve 3)

Dual sensors, independent signal output signal lead in both directions, 1 lead forward, 1 line backward



MECHANICAL DRAWING

