

## MKF-TS01 SERIES JOYSTICKS

Mate Joystick, Single axis joysticks, Panel Mounted



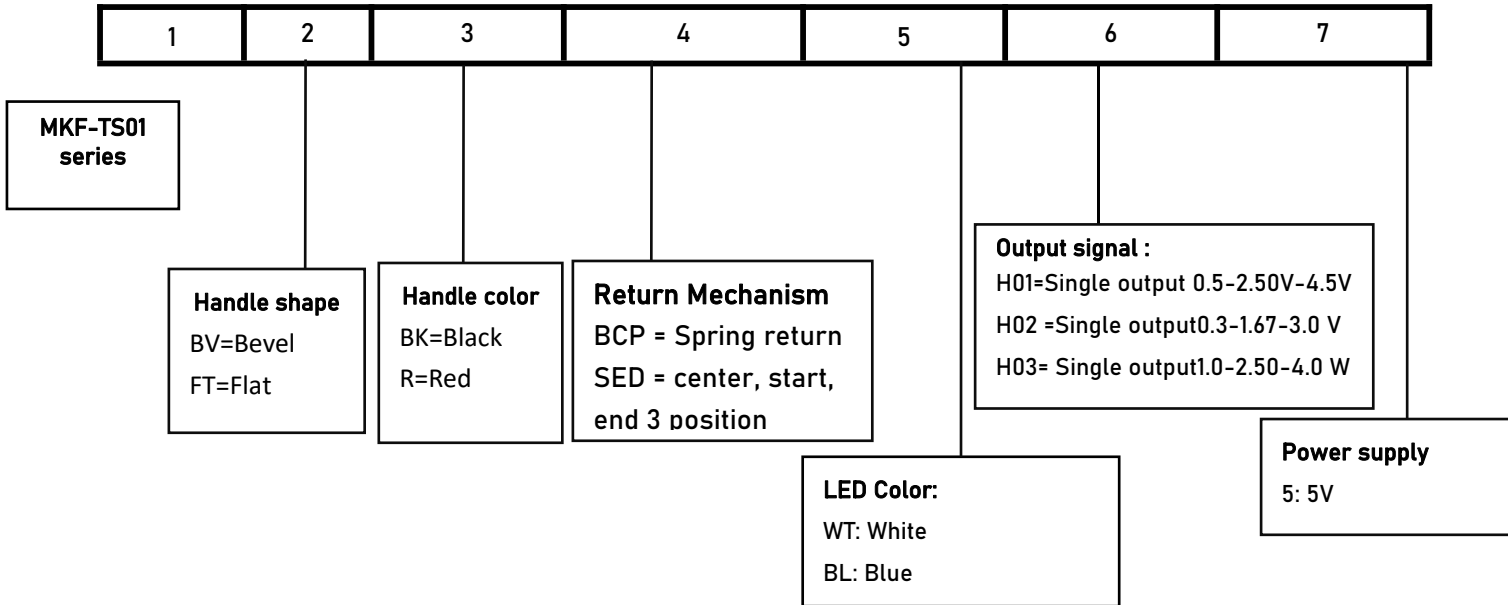
### DESCRIPTION

MKF-TS01 is a professional industrial thumb wheel used in TV camera, CCTV, industrial robot, medical equipment, optical instrument, heavy-duty and safety-critical applications. Rugged, reliable for long life span usage. With Hall sensor, Single axis, 0.5-4.5V@DV5V signal output. With a three color LED indicator.(White,Green,Red).

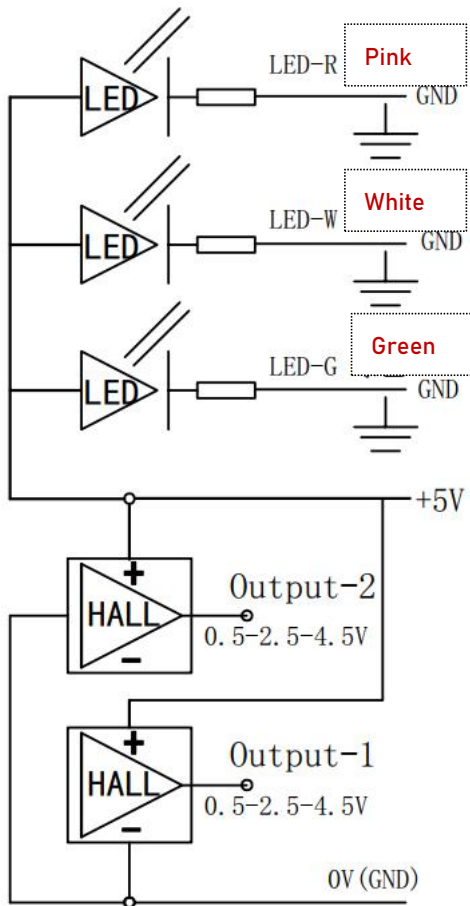
### SPECIFICATION

Lever Action	Spring return to center automatically
Lever Mechanical Angle	±30°
Sensor Type	Hall effect
Linearity	Less than 0.2%
Signal Output	Analog voltage 0.5-4.5V
Power Supply	DC5V
Operating Cycles	> 5 Million Cycles
Operating Temperature	-40°C~+70°C
Storage Temperature	-50°C~+80°C
Degree of Protection	Above the flange IP56

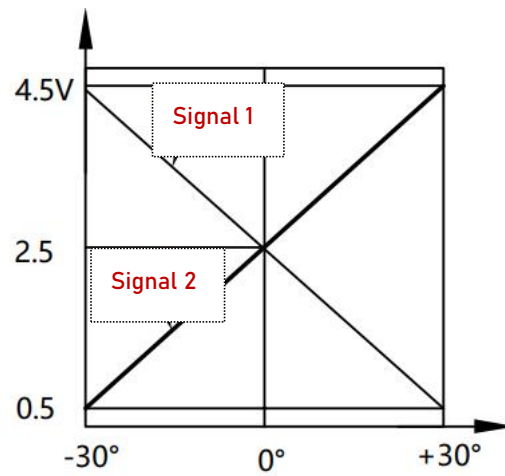
## PRODUCT CONFIGURATION



### Electrical schematic



### Signal output curve



Installation drawing

